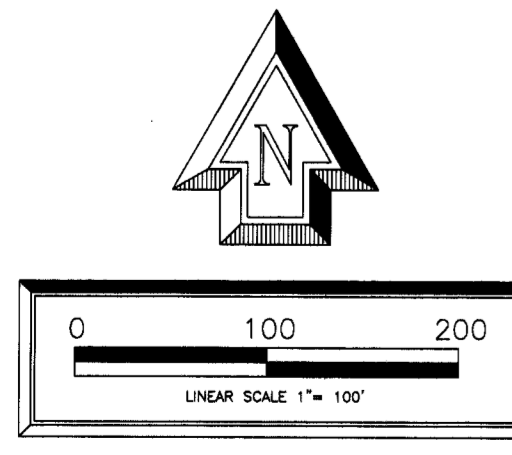


TERRA VISTA SECTION 2

DULY ENTERED FOR TAXATION SUBJECT TO FINAL ACCEPTANCE FOR TRANSFER
 Sep 19, 2016
 BRIAN GERTH AUDITOR
 5182

RECEIVED FOR RECORD
 DATE 09-19-16 11:43
 PLAT BOOK 49
 PAGE 49
 INSTR# 2016R00024279
 Z TULEY RECORDER
 VANDERBURGH COUNTY



LEGEND

(R)	Record Dimension
(M)	Measured Dimension
(C)	Calculated Dimension
P.O.B.	Point of Beginning
P.O.C.	Point of Commencement
P.U.E.	Public Utility Easement
D.E.	Drainage Easement
LMSDE	Lake Maintenance & Storm Drainage Easement
G&B.E.	Green Space & Buffer Easement

U-49
 APC # 9-5-2015

