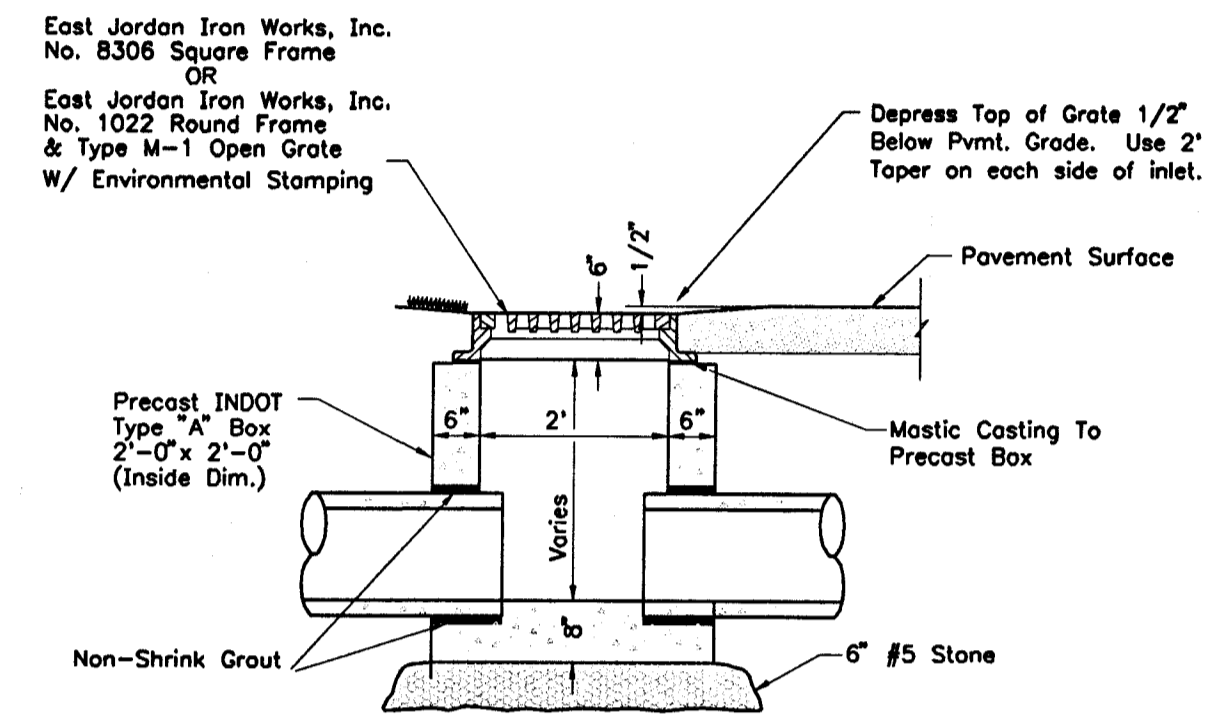
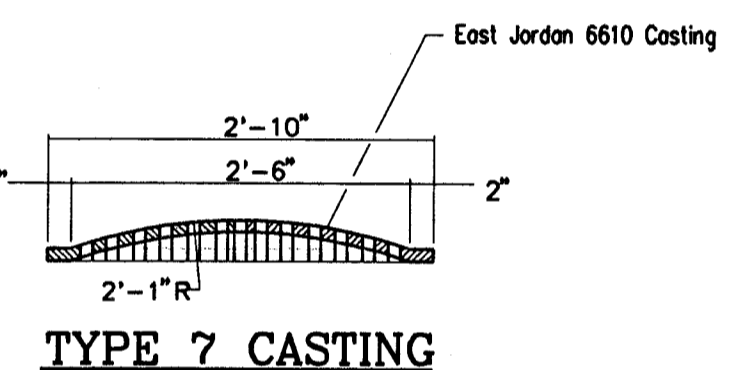


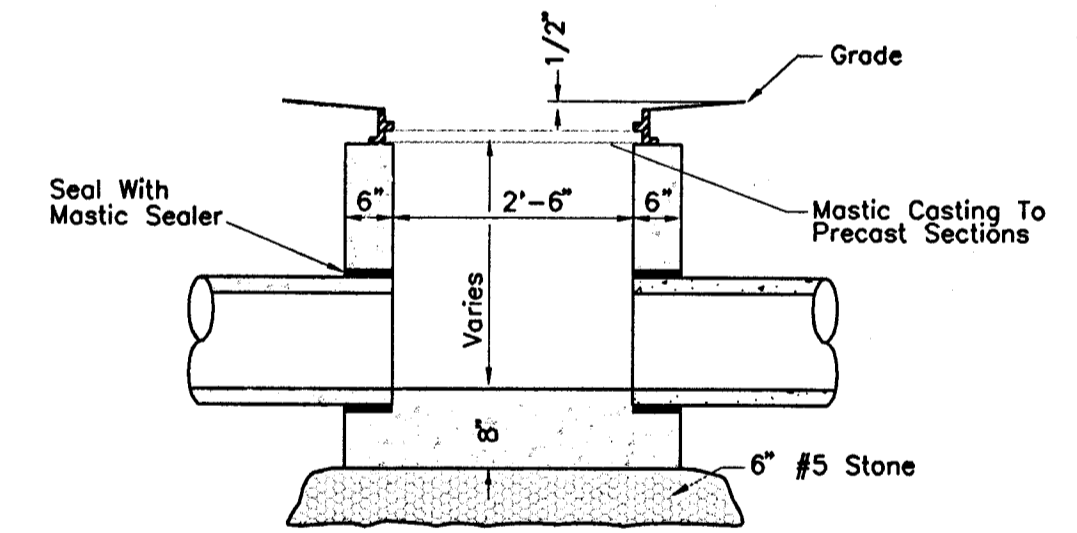
**Jct. Box Type D-4**  
Scale: 1"=2'-0"



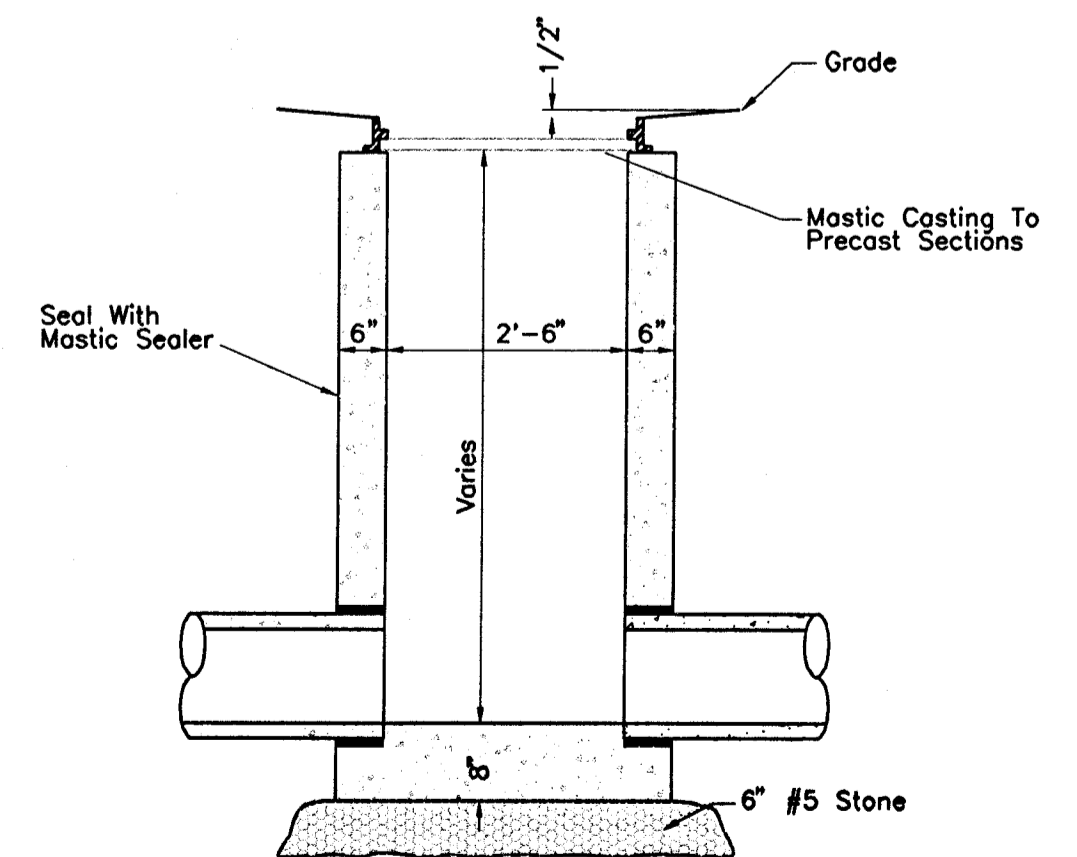
**INLET TYPE A-2**  
Scale: 1"=2'-0"



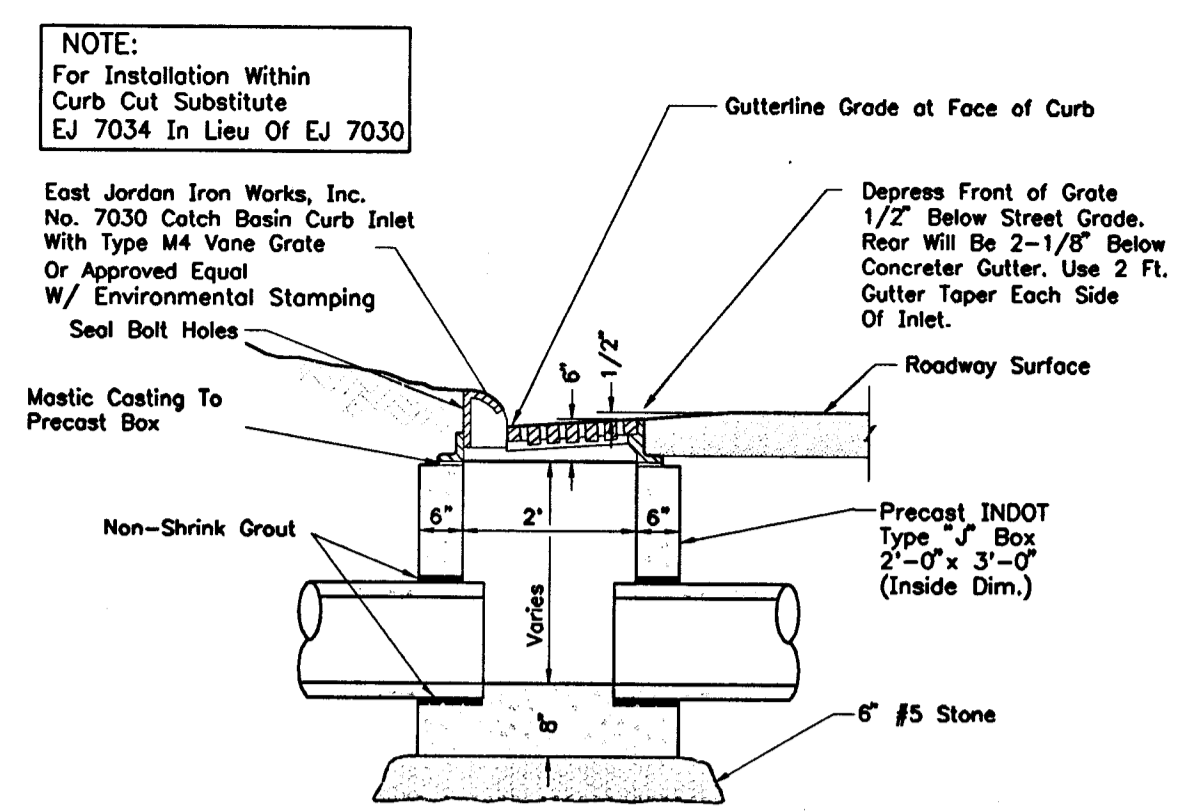
**TYPE 7 CASTING**



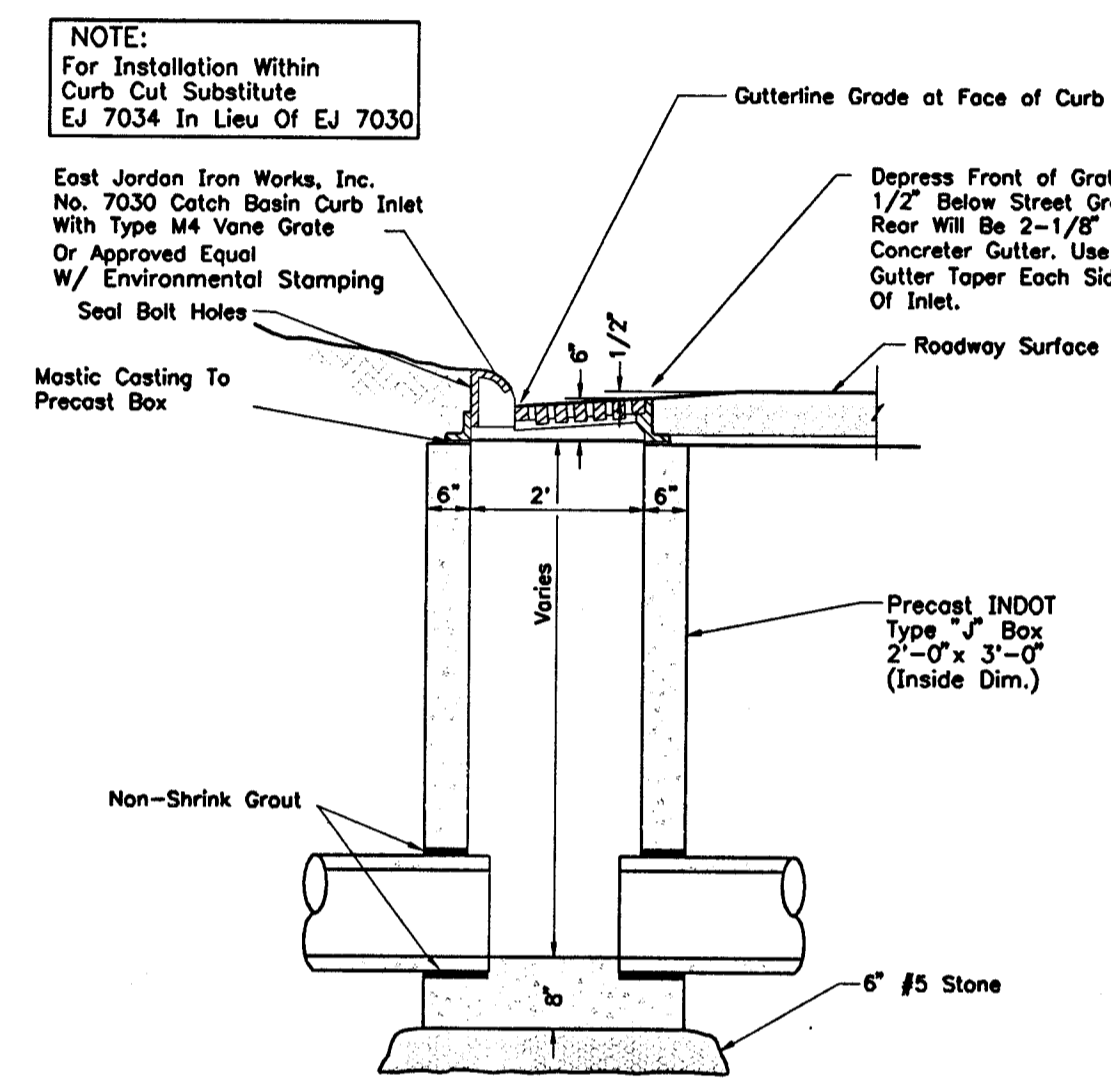
**INLET TYPE E-7 DETAIL**  
Scale: 1"=2'-0"



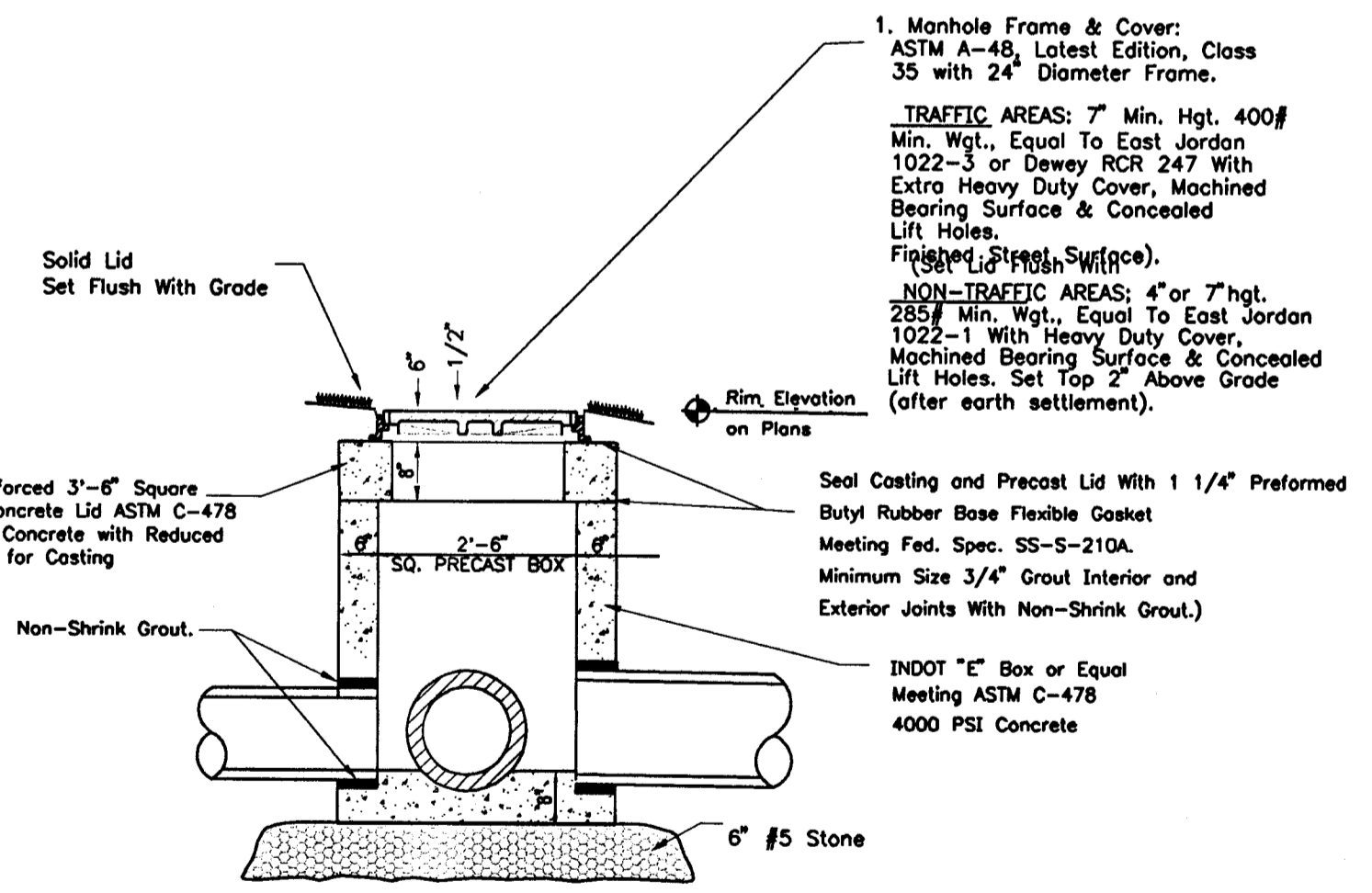
**INLET TYPE E-7 DETAIL MODIFIED**  
Scale: 1"=2'-0"



**INLET TYPE J-10**  
Scale: 1"=2'-0"



**INLET TYPE J-10 MODIFIED**  
Scale: 1"=2'-0"



**JCT. BOX TYPE E-4**  
Scale: 1"=2'-0"

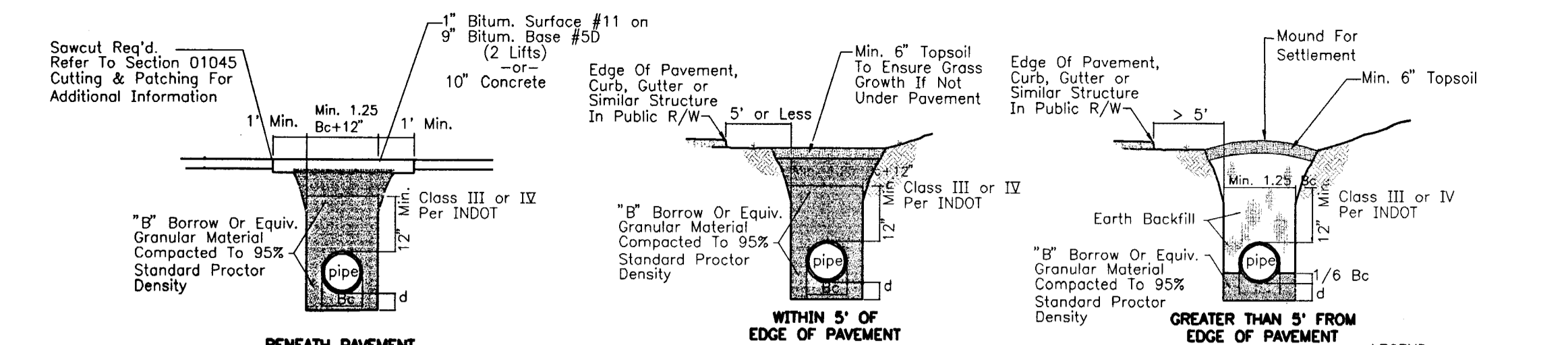
**NOTE:**  
For Installation Within Curb Cut Substitute EJ 7034 In Lieu Of EJ 7030

East Jordan Iron Works, Inc. No. 7030 Catch Basin Curb Inlet With Type M4 Vane Grate Or Approved Equal W/ Environmental Stamping Seal Bolt Holes

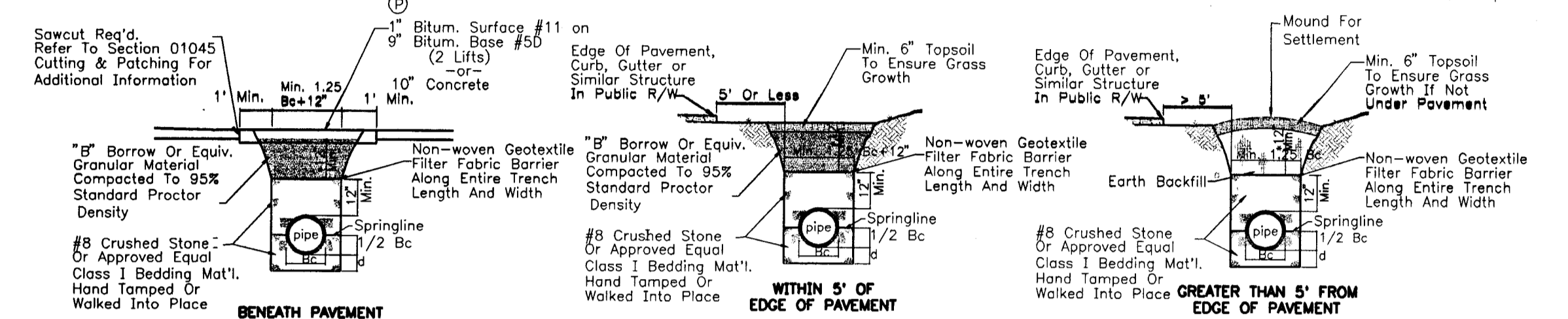
**NOTE:**  
For Installation Within Curb Cut Substitute EJ 7034 In Lieu Of EJ 7030

East Jordan Iron Works, Inc. No. 7030 Catch Basin Curb Inlet With Type M4 Vane Grate Or Approved Equal W/ Environmental Stamping Seal Bolt Holes

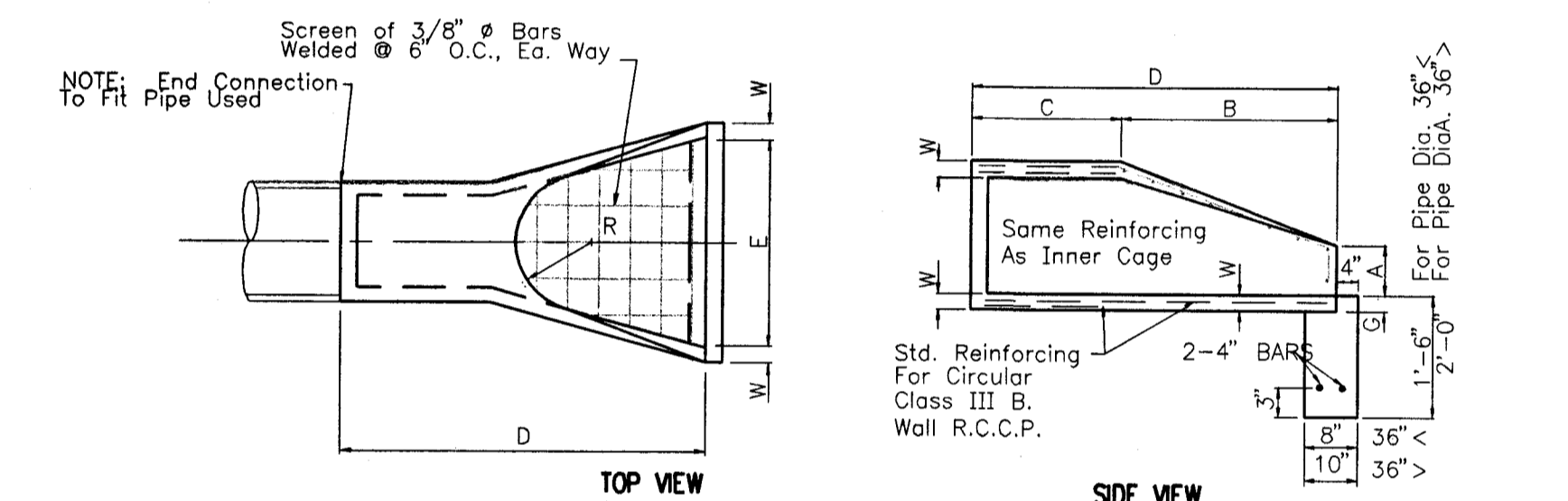
1. Manhole Frame & Cover: ASTM A-48, Latest Edition, Class 35 with 24" Diameter Frame.  
TRAFFIC AREAS: 7" Min. Hgt. 400# Min. Wgt., Equal To East Jordan 1022-3 or Dewey RCR 247 With Extra Heavy Duty Cover, Machined Bearing Surface & Concealed Lift Holes.  
NON-TRAFFIC AREAS: 4" or 7" hgt. 285# Min. Wgt., Equal To East Jordan 1022-1 With Heavy Duty Cover, Machined Bearing Surface & Concealed Lift Holes. Set Top 2" Above Grade (after earth settlement).



**STORM SEWER TRENCH/PIPE BEDDING DETAIL FOR REINFORCED CONCRETE PIPE (RCP)**

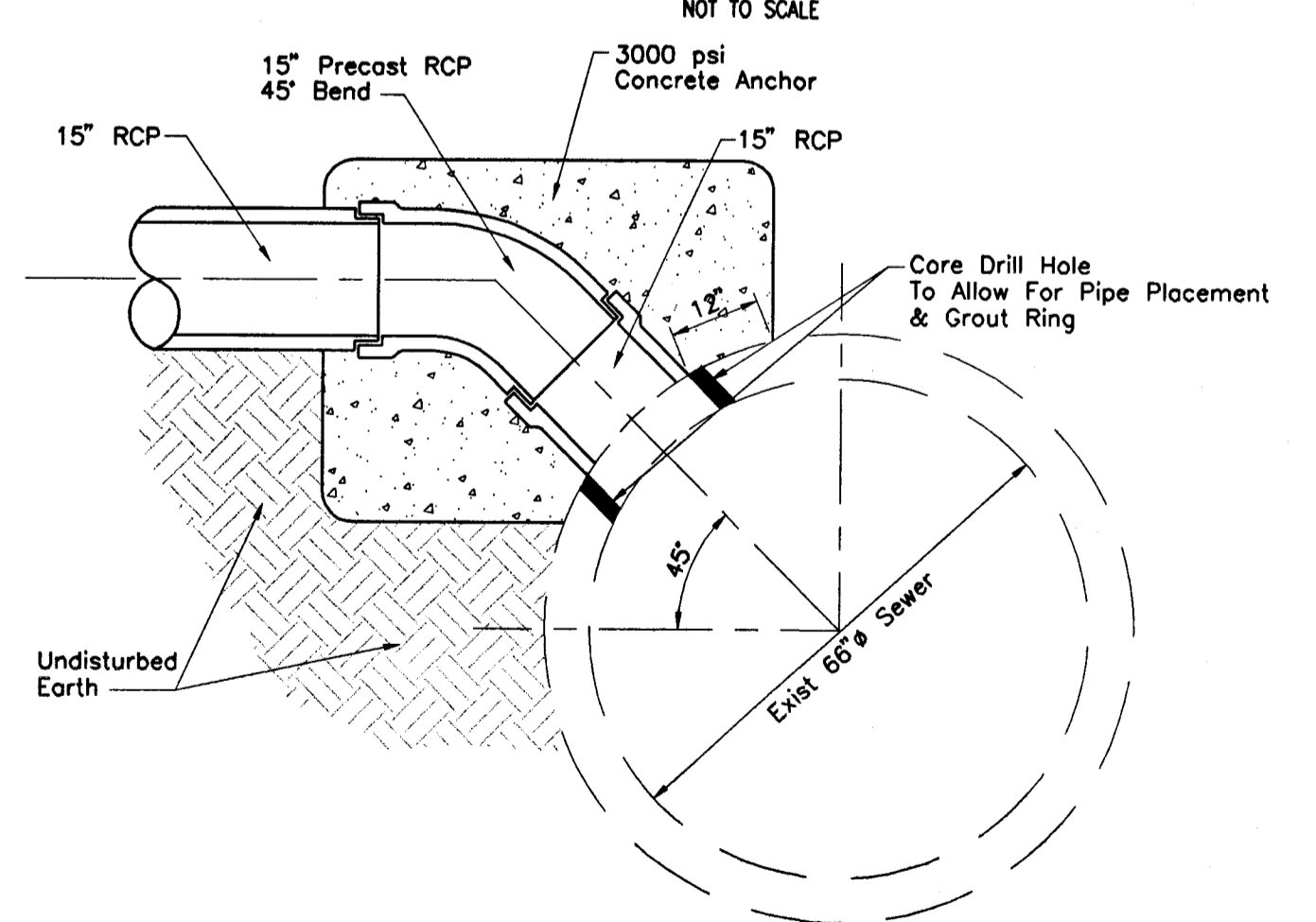


**STORM SEWER TRENCH/PIPE BEDDING DETAIL FOR PLASTIC PIPE (PVC & HDPE)**



DIMENSIONS										
DIA.	WGT. (LBS)	WALL	A	B	C	D	E	G	R	SLOPE
12"	530	2"	5"	1'-10"	4'-3"	6'-1"	2'-0"	2"	9"	2:1
15"	740	2-1/4"	7"	2'-1"	4'-0"	6'-3"	2'-6"	2 1/2"	12"	2:1
18"	990	2-1/2"	11"	2'-1"	4'-1"	6'-2"	3'-0"	3"	12"	2:1
21"	1280	2-3/4"	11"	2'-9"	3'-6"	6'-3"	3'-6"	2 3/8"	15"	2:1
24"	1520	3"	12"	3'-7"	2'-8"	6'-3"	4'-0"	3"	14"	2:1
30"	2190	3-1/2"	11'-2"	4'-6"	1'-6"	6'-0"	5'-0"	3 1/2"	15"	3:1
36"	4100	4"	11'-3"	5'-2"	2'-9"	8'-1"	6'-0"	4"	20"	3:1

**CONCRETE END SECTION DETAIL**



**PIPE CONNECTION DETAIL**  
STRS. #49, #55, #64, #72, #77, & #85  
Scale: 1"=2'-0"

This drawing is the property of Bernardin Lochmueller & Associates. All layouts and designs were created for use on a specific project. No part of this design or drawing shall be disclosed to any person or organization without the express written permission of Bernardin Lochmueller & Associates. Contractors shall verify and be responsible for all dimensions and conditions on the site. Contractor shall notify Bernardin, Lochmueller & Associates of any variations from the design shown herein.

Num.	Description	Date

Prepared By: **BERNARDIN LOCHMUELLER & ASSOC., INC.**  
No. 20434  
STATE OF INDIANA  
REGISTERED PROFESSIONAL ENGINEER

MISC. STORM SEWER DETAILS FOR HARLAN AVE. EXTENSION  
VANDERBURGH COUNTY, INDIANA  
DATE: PROJECT NO.: 102-0183  
ISSUED: 22  
Planners - Engineers - Surveyors  
Evansville, IN 47715 (812)479-6200

S:\Projects\102-0183\Details-storm-sew-06/29/03 10:46 Ross