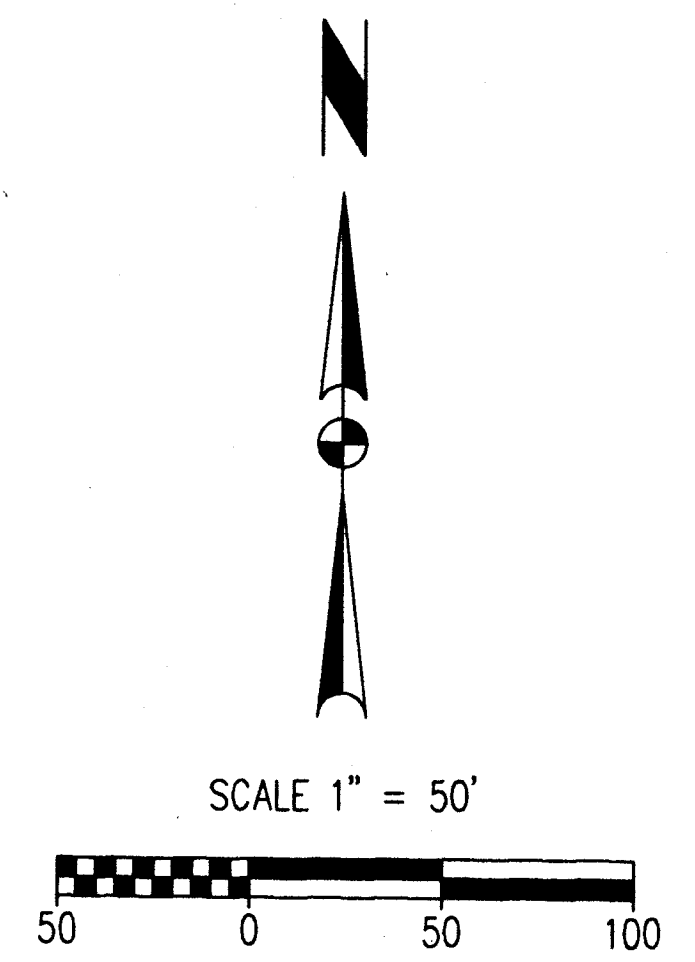
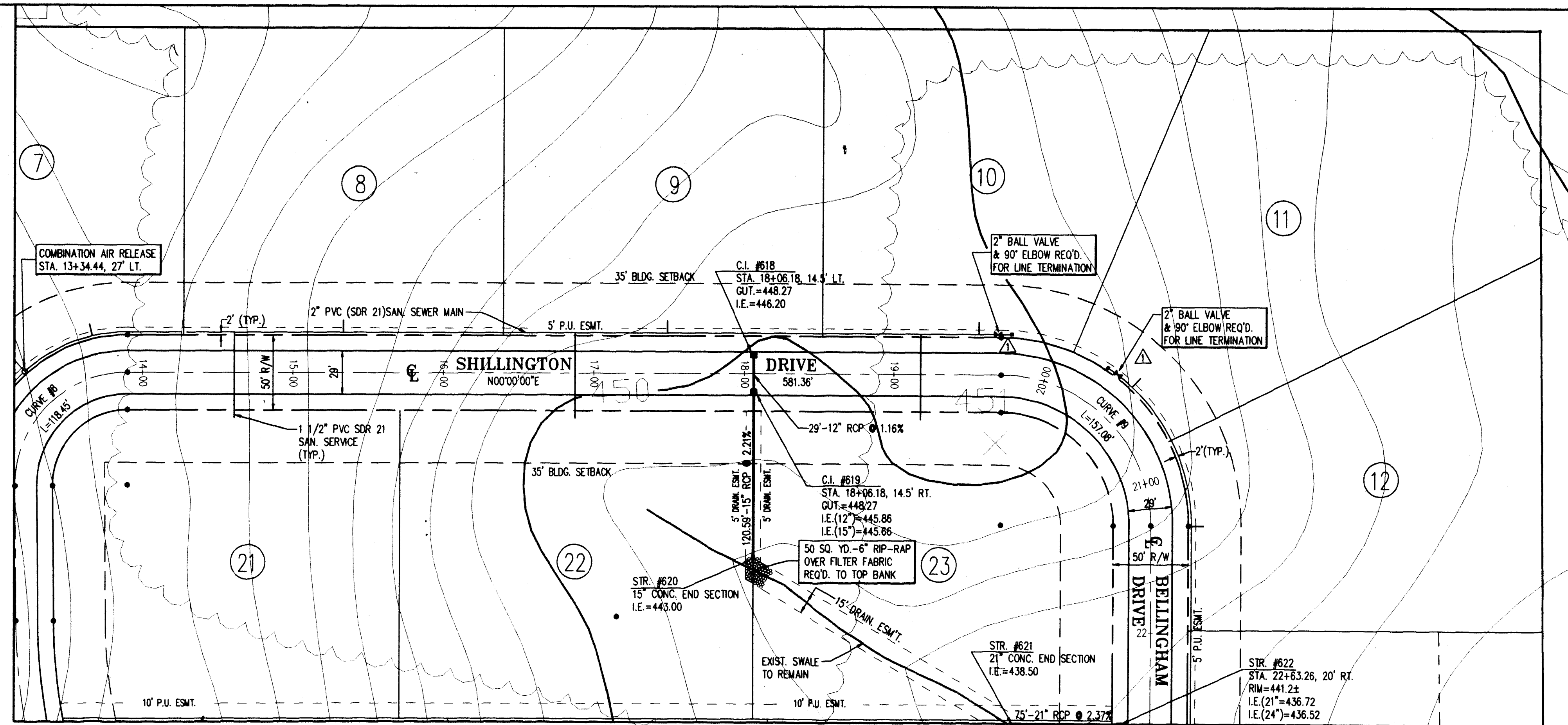


**ROAD CURVE DATA**

DESIGNATION	RADIUS	DELTA	LENGTH	CHORD	TANGENT
8	75.00'	90°29'15"	118.45'	N.44°45'23"E 106.52'	75.64'
9	100.00'	90°00'00"	157.08'	S.45°00'00"E 141.42'	100.00'



NOTE: ALL EXISTING TOPOGRAPHIC FEATURES AND CONTOURS WERE TAKEN FROM VANDERBURGH COUNTY TOPOGRAPHIC MAP #145 DATED MARCH 27, 1990.

