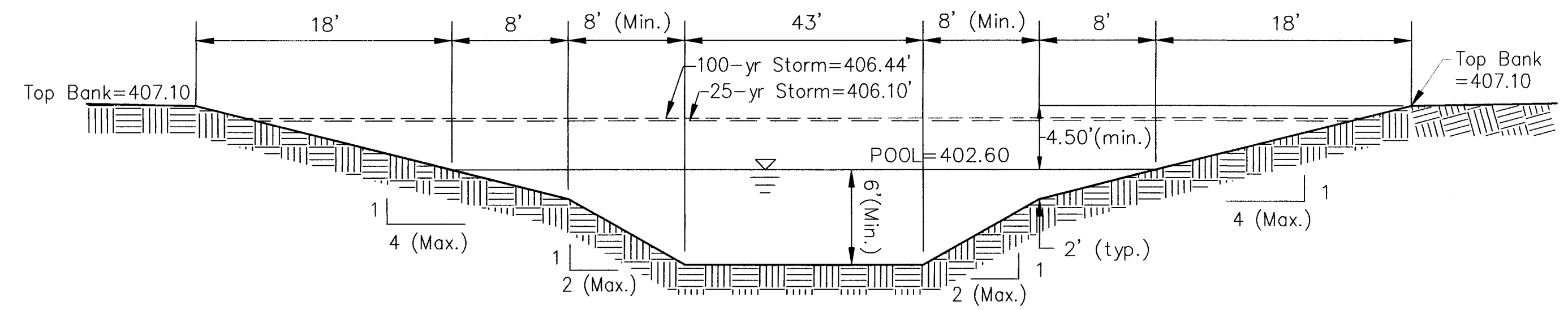
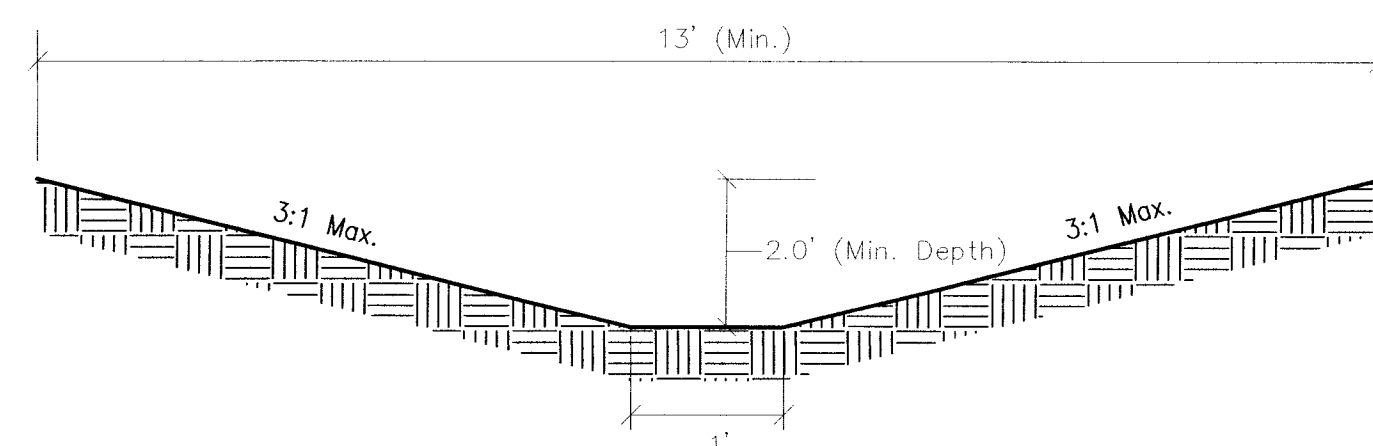


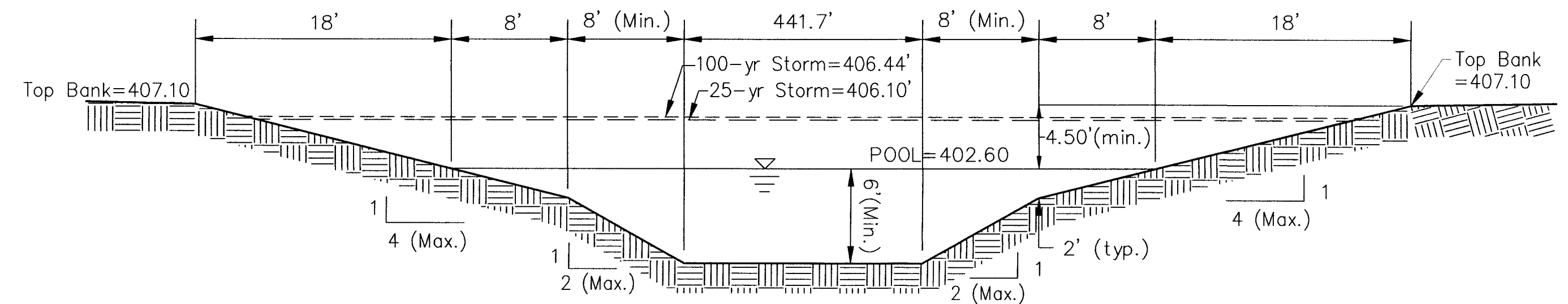
TYPICAL SWALE CROSS-SECTION
Scale: N.T.S.



DETENTION BASIN #2 CROSS SECTION B-B
Scale: N.T.S.

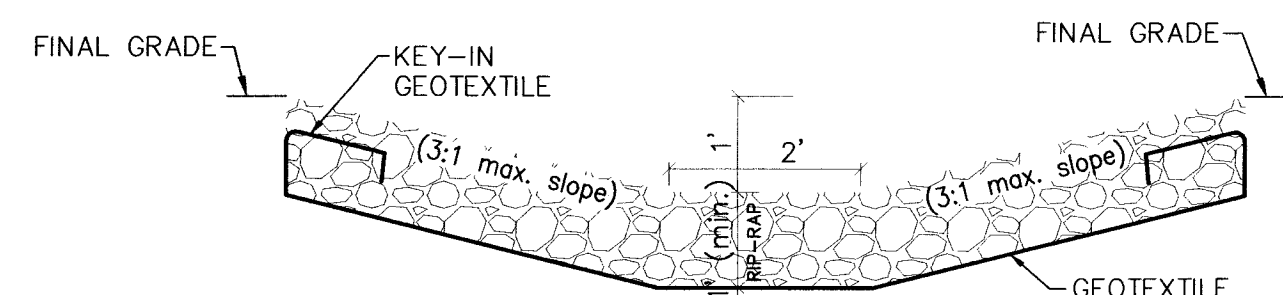


SWALE #22 - #29 CROSS-SECTION
Scale: N.T.S.

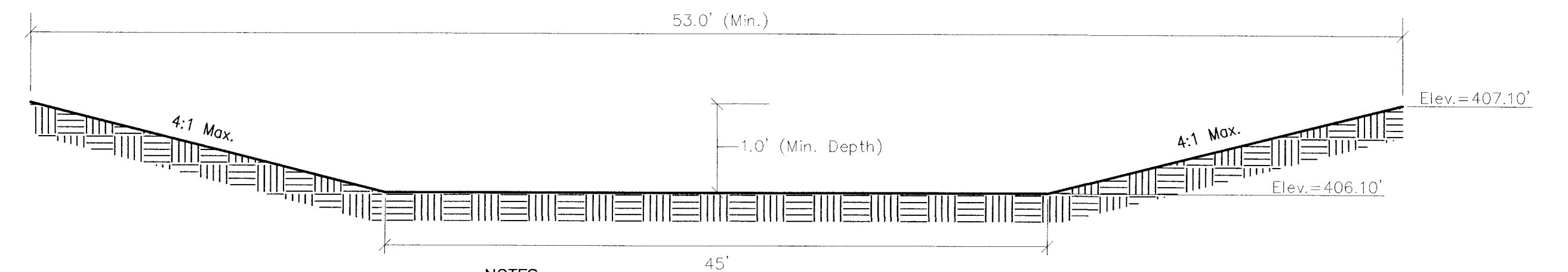


DETENTION BASIN #2 CROSS SECTION E-E
Scale: N.T.S.

SWALE TABLE			
Swale Number	Length	Min. Depth	Erosion Control Protection Required
#1	79	1	Erosion Control Blanket or Sod
#2	239	1	Erosion Control Blanket or Sod
#3	121	1	Erosion Control Blanket or Sod
#4	95	1	Erosion Control Blanket or Sod
#5	228	1	Erosion Control Blanket or Sod
#5A	69	1	Seeded and Mulched
#6	118	1	Seeded and Mulched
#7	105	1	Erosion Control Blanket or Sod
#8	149	1	Erosion Control Blanket or Sod
#8A	100	1	Concrete Ribbon
#9	193	1	Erosion Control Blanket or Sod
#10	194	1	Seeded and Mulched
#11	240	1	Erosion Control Blanket or Sod
#12	118	1	Seeded and Mulched
#12A	75	1	Erosion Control Blanket or Sod
#13	525	1	Seeded and Mulched
#14	150	1	Erosion Control Blanket or Sod
#15	150	1	Erosion Control Blanket or Sod
#16	150	1	Erosion Control Blanket or Sod
#17	295	1	Erosion Control Blanket or Sod
#18	222	1	Erosion Control Blanket or Sod
#19	73	1	Erosion Control Blanket or Sod
#20	246	1	Seeded and Mulched
#21	144	1	Rip-Rap
#22	138	1	Erosion Control Blanket or Sod
#23	73	1	Erosion Control Blanket or Sod
#24	190	2	Seeded and Mulched
#25	88	2	Erosion Control Blanket or Sod
#26	66	1.5	Erosion Control Blanket or Sod
#27	110	2	Seeded and Mulched
#28	115	1.5	Erosion Control Blanket or Sod
#29	89	1.5	Erosion Control Blanket or Sod



RIP-RAP LINED SWALE
Scale: N.T.S.



DETENTION BASIN #2 EMERGENCY SPILLWAY CROSS-SECTION
Scale: N.T.S.

NOTES:
1. A 5% slope or greater is required for the emergency spillway.

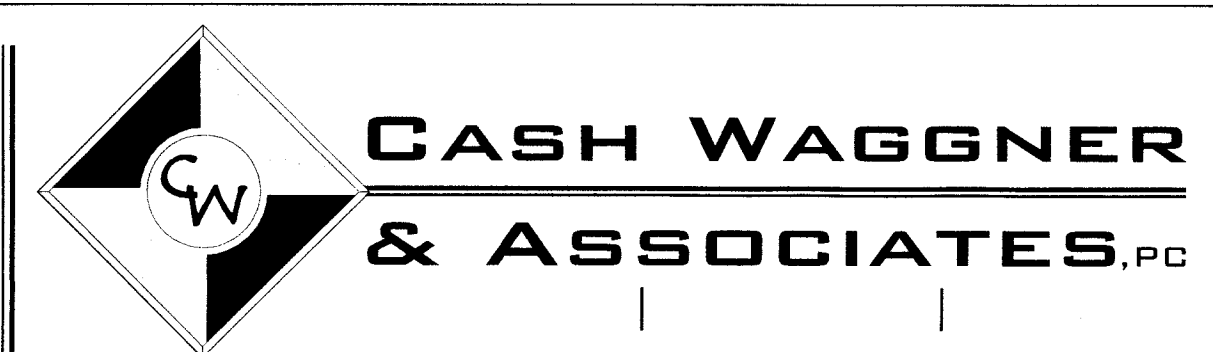
This drawing and/or specifications is provided as an instrument of service provided by Cash Wagner & Associates, PC and is intended for use on this project only. All drawings, specifications, designs, models, ideas, calculations, and arrangements appearing herein constitute the original and unpublished work of and remains the property of Cash Wagner & Associates, PC. Any reproduction, use or disclosure of the proprietary information contained herein without the prior written consent of the Cash Wagner & Associates, PC is strictly prohibited.

Written dimensions shown hereon shall take precedence over scaled dimensions. Contractors shall calculate and measure required dimensions. Notify Cash Wagner & Associates, PC with any variations in dimensions or conditions from those indicated on these drawings. This drawing was based on available information. Commencement of Work constitutes verification and acceptance of existing conditions.

Application of a material or equipment to Work installed by others constitutes acceptance of that Work and assumption of responsibility for satisfactory installation.



Guyton A. Meritt
SIGNATURE
24 Sept 18
DATE



NO.	DATE	BY	DESCRIPTION
12.21.17	G.A.M.	Revised detention basin elevations	
08.15.18	G.A.M.	Added swale table	
09.12.18	G.A.M.	Added rip-rap lined swale detail, detention basin cross sections E-E & F-F & swale #22 - #29 cross section	
09.24.18	G.A.M.	Revised detention basin cross sections	

PROJECT NO.: 15-2184
DESIGNED BY: G.A.M.
DRAWN BY: G.A.M.
FILENAME: 2184 Drainage Dts
LAYOUT TAB:
SCALE: As Shown

PROJECT: SADDLE CREEK ESTATES - Sect. 1 & 2
ADDRESS: BAUMBART ROAD
EVANSVILLE, INDIANA
DRAINAGE DETAILS

APPROVED
FEB 26 2019
DATE: 07.07.17
DRAWING NO.: C-12
PROJECT NO.: 15-2184

9-26-18 CA