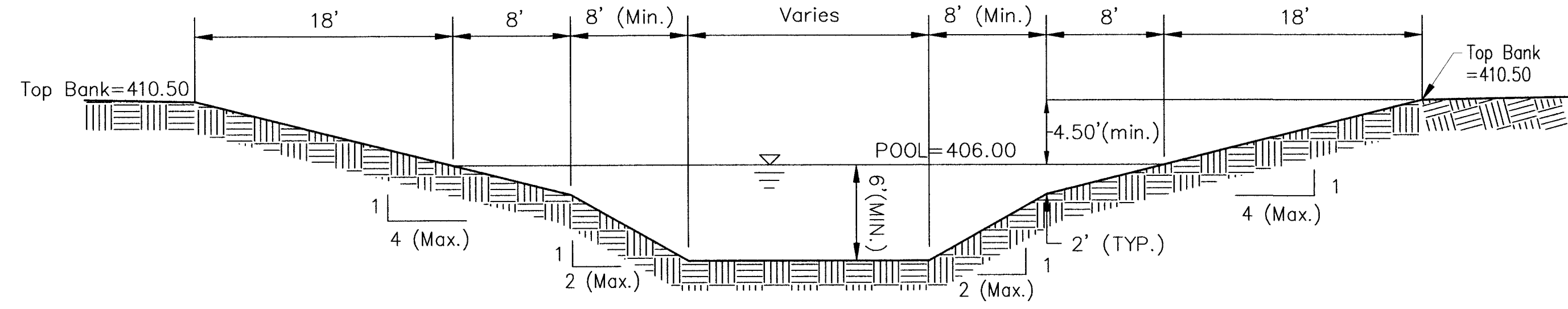


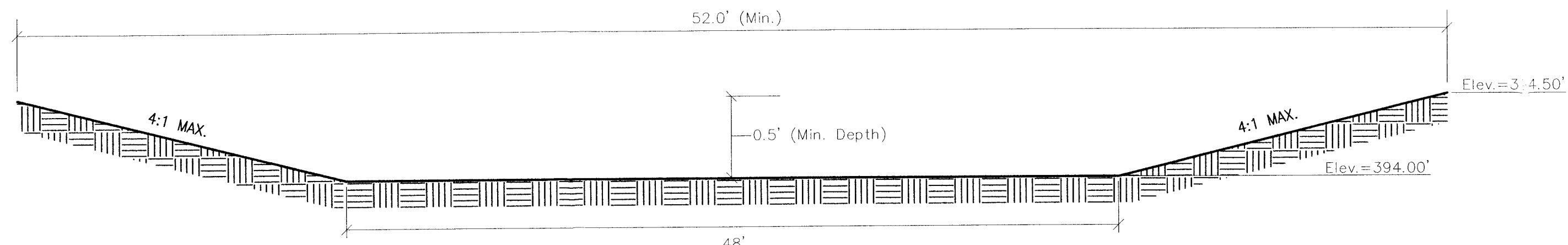
**DETENTION BASIN #1 CROSS SECTION A-A**

Scale: N.T.S.



**DETENTION BASIN #2 CROSS SECTION B-B**

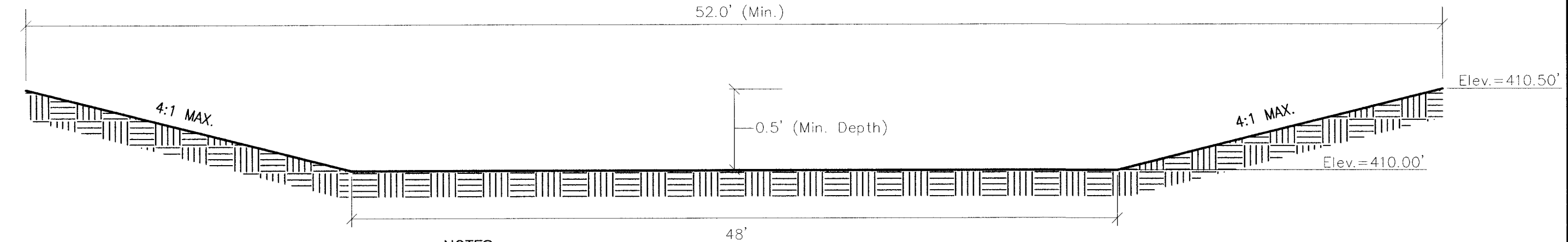
Scale: N.T.S.



NOTES:  
1. A 5% slope or greater is required for the emergency spillway.

**DETENTION BASIN #1  
EMERGENCY SPILLWAY CROSS-SECTION**

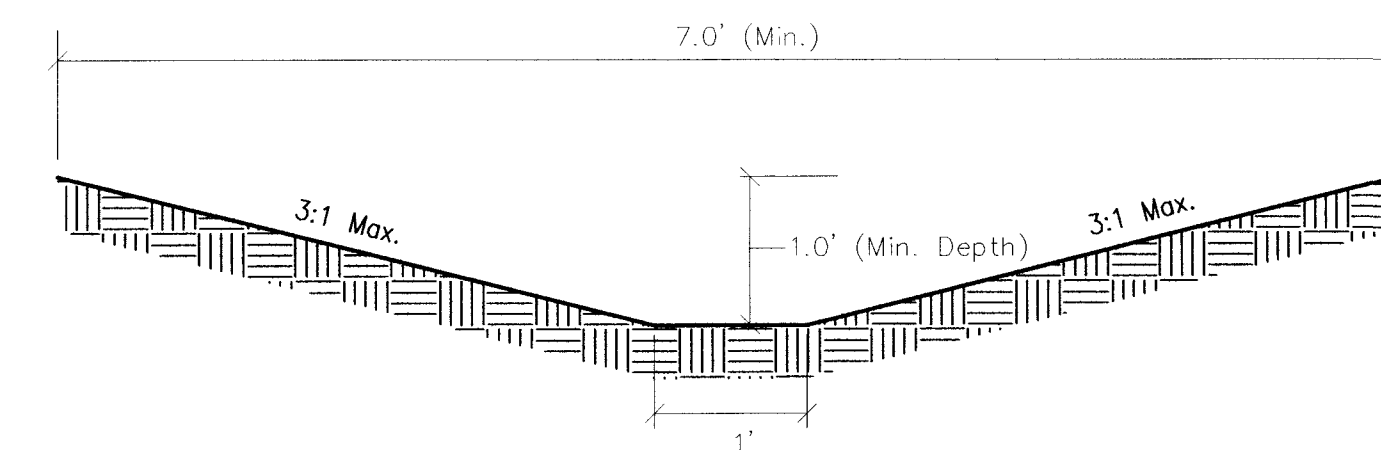
Scale: N.T.S.



NOTES:  
1. A 5% slope or greater is required for the emergency spillway.

**DETENTION BASIN #2  
EMERGENCY SPILLWAY CROSS-SECTION**

Scale: N.T.S.



**TYPICAL SWALE CROSS-SECTION**

Scale: N.T.S.

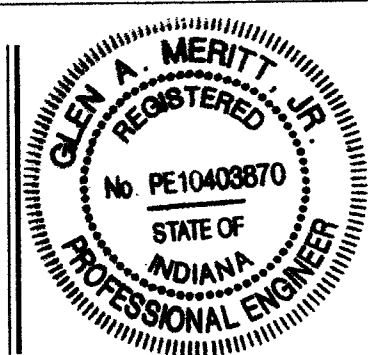
**PENDING  
NOT  
APPROVED**

RECEIVED BY THE  
VANDERBURGH COUNTY  
SURVEYOR'S OFFICE  
5/2/16 CA

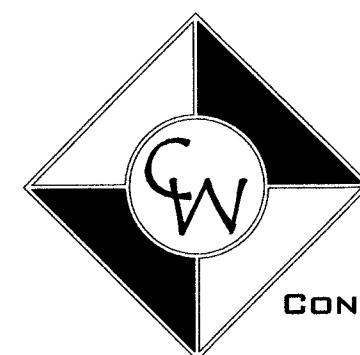
This drawing and/or specifications is provided as an instrument of service provided by Cash Wagner & Associates, PC and is intended for use on this project only. All drawings, specifications, designs, models, ideas, calculations, and arrangements appearing herein constitutes the original and unpublished work of and remains the property of Cash Wagner & Associates, PC. Any reproduction, use or disclosure of the proprietary information contained herein without the prior written consent of the Cash Wagner & Associates, PC is strictly prohibited.

Written dimensions shown hereon shall take precedence over scaled dimensions. Contractors shall calculate and measure required dimensions. Verify Cash Wagner & Associates, PC with any variations in dimensions or conditions from those indicated on these drawings. This drawing was based on available information. Commencement of Work constitutes verification and acceptance of existing conditions.

Application of a material or equipment to Work installed by others constitutes acceptance of that Work and assumption of responsibility for satisfactory installation.



*Glen A. Merritt*  
SIGNATURE DATE 28 April 16



**CASH WAGNER  
& ASSOCIATES, PC**  
CONSULTING ENGINEERS • LAND SURVEYORS

414 CITADEL CIRCLE  
SUITE B  
EVANSVILLE, IN 47715  
PH: 812.401.5561  
FAX: 812.401.5563  
CELL: 812.774.2988  
E-MAIL: GMERRIT@  
CASHWAGNER.COM

NO.	DATE	BY	DESCRIPTION
△			
△			
△			
△			
△			
△			
△			
△			
△			
△			

PROJECT NO.: 14-1948  
DESIGNED BY: G.A.M.  
DRAWN BY: G.A.M.  
FILENAME: 2184 DrainageDtls  
LAYOUT TAB:  
SCALE: As Shown

PROJECT: SADDLE CREEK ESTATES  
ADDRESS: BAUMBART ROAD  
EVANSVILLE, INDIANA  
SHEET TITLE: DRAINAGE  
DETAILS

DATE: 04.28.16  
DRAWING NO.: C-112  
OF: