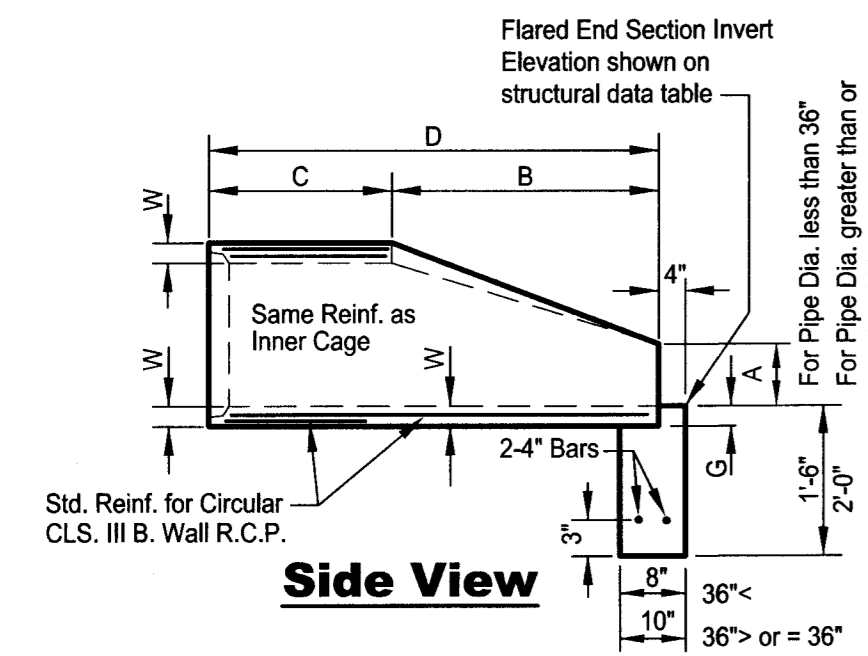
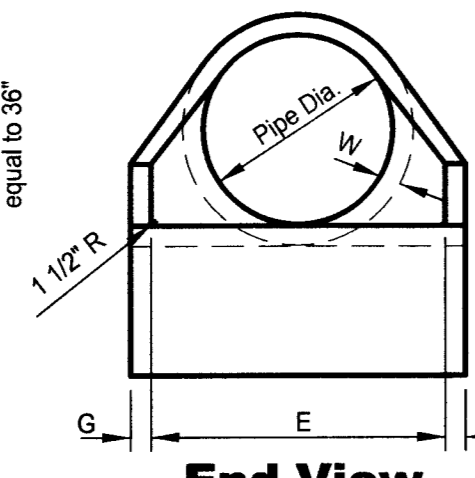


**Top View**

RCP DIA.	WGT. (LBS)	WALL	A	B	C	D	E	G	R	SLOPE
12"	530	2 1/4"	8"	2-1/4"	4-1 1/2"	6-1 3/4"	1-11 3/4"	2 1/4"	9"	2:1
15"	900	2 1/4"	9"	2-3/4"	3-10"	6-1 1/2"	2-4"	2 1/4"	11"	2:1
18"	1000	2 1/2"	11 1/2"	2-3"	3-10"	6-1 1/2"	3-4"	2 1/2"	1-0"	2:1
21"	1280	2 3/4"	10"	2-11"	3-2"	6-1 1/2"	3-4"	2 3/4"	1-1"	2:1
24"	1600	2 3/4"	1-0"	3-4"	2-6"	6-2"	4-0"	2 3/4"	1-2"	2:1
27"	1930	3 1/4"	10 1/2"	4-0"	2-1 1/2"	6-1 1/2"	4-6"	3 1/4"	1-2 1/2"	3:1
30"	2250	3 1/2"	1-0"	4-6"	1-7 3/4"	6-1 3/4"	5-0"	3 1/2"	1-3"	3:1
33"	2600	3 3/4"	1-1 1/2"	4-10 1/2"	3-3 1/4"	6-1 3/4"	5-6"	3 3/4"	1-5 1/2"	3:1
36"	4480	4"	1-4 3/4"	6-3"	2-10 3/4"	6-1 3/4"	6-0"	4"	1-8"	3:1
42"	5380	4 1/2"	1-9"	6-3"	2-11"	6-2"	6-6"	4 1/2"	1-10"	3:1
48"	6950	5"	2-0"	6-0"	2-2"	6-2"	7-4"	5"	1-10"	3:1
54"	8240	5 1/2"	2-3"	5-5"	2-11"	6-4"	7-5"	5 1/2"	2-0"	2:1
60"	8730	6"	2-11"	6-0"	3-3"	6-3"	8-0"	6"	2-1	2:1
66"	10710	6 1/2"	2-6"	6-0"	2-3"	6-3"	8-6"	5 1/2"	2-1	2:1
72"	12520	7"	3-0"	6-6"	1-9"	6-3"	9-0"	6"	1-8 1/2"	1.82:1
78"	14770	7 1/2"	3-0"	7-6"	1-9"	6-3"	9-6"	6 1/2"	1-8 1/2"	1.82:1
84"	18160	8"	3-0"	7-8 1/2"	1-9"	6-3 1/2"	10-0"	6 1/2"	1-8 1/2"	1.51:1



**Side View**

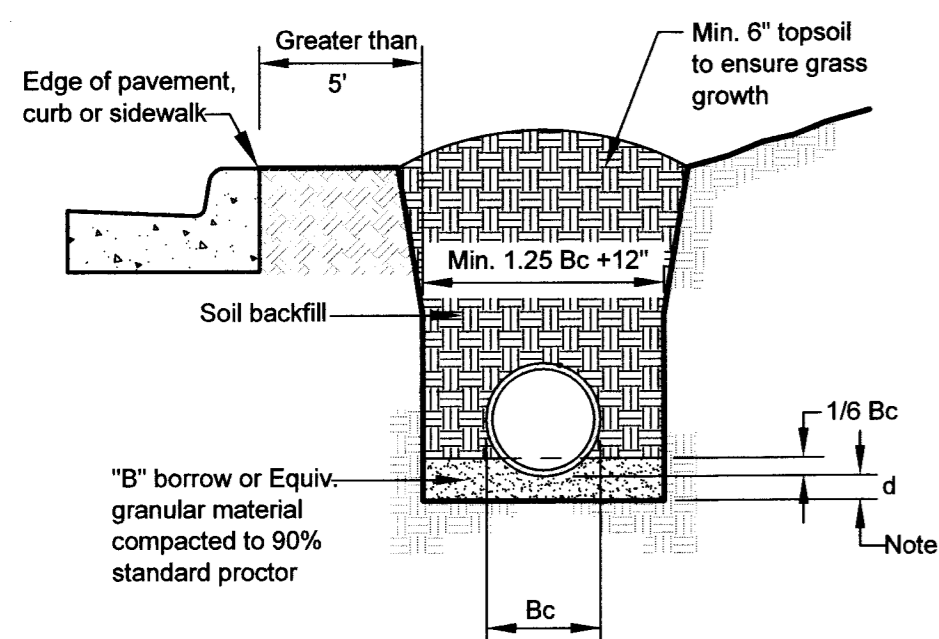


**End View**

**Concrete End Section**

No Scale

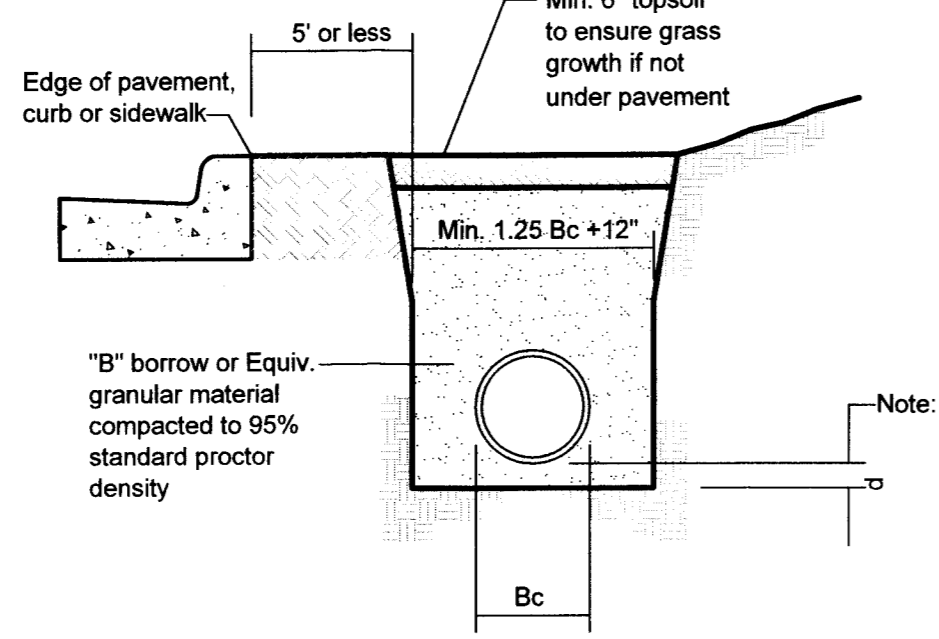
©:DETAILSActiveSEWERS010\_ConcEndSec.dwg Date: 12-07-10 09:10:10



**Greater than 5' from edge of pavement**

**Note:**

All bedding & initial backfill shall be installed in 6" to 12" balanced lifts. A minimum 9" of clearance shall be provided on each side of the installed pipe.



**Beneath or within 5' of edge of pavement**

**Note:**

All bedding & initial backfill shall be installed in 6" to 12" balanced lifts. A minimum 9" of clearance shall be provided on each side of the installed pipe.

**Depth of Bedding Material Below Pipe**

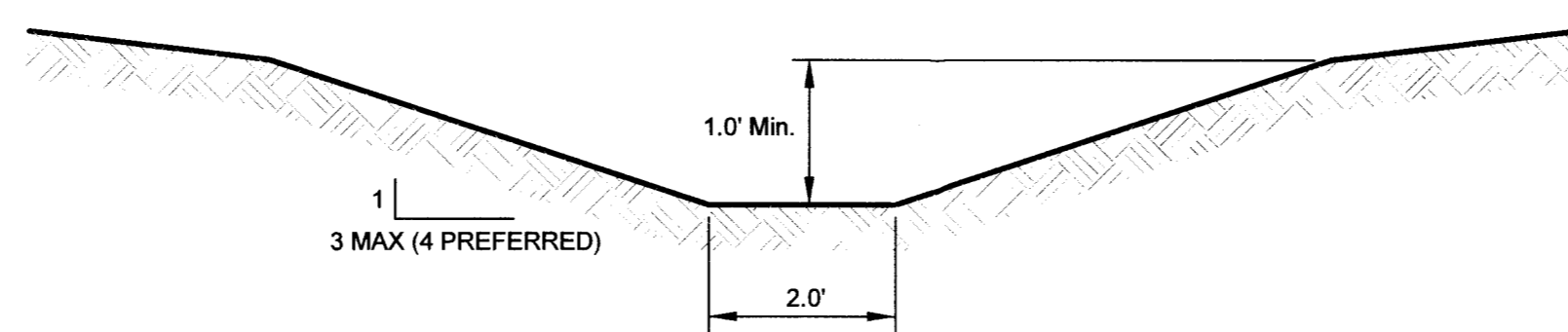
D	(d) Min.	Bc = Outside Diameter
27" & Smaller	3"	D = Inside Diameter
30" to 60"	4"	d = Depth of Bedding Material Below Pipe
66" & Larger	6"	

**Legend:**

**Reinforced Concrete Pipe Storm Sewer Bedding**

©:DETAILSActiveSEWERS012\_RCP\_Bed.dwg Date: 10-14-96

- Notes:**
- The bottoms of seeded, grass-lined channels with grades from 1% to 2% shall have erosion control blankets properly installed.
  - Channels with grades greater than 2% and up to 6% shall have bottoms lined in staked sod.
  - All channels with grades greater than 6% shall have bottoms lined with 6" rip-rap.
  - Side banks of grass-lined channels with a grade of 2% or greater shall be protected by erosion control blankets installed coincidental with seeding, and in accordance with manufacturer's recommendations.



**Typical Swale Cross Section**

No Scale

**Note:**

16"x8" concrete ribbon required if longitudinal slope of swale is less than 0.8% or between inflow and outflow points in dry basins.

It is preferred that the top of the ribbon be concave to assist with the flow, however this is not required by ordinance.

**Concrete Ribbon Detail**

No Scale

©:DETAILSActiveSEWERS049\_ConcRibbon.dwg Date: 06-07-13

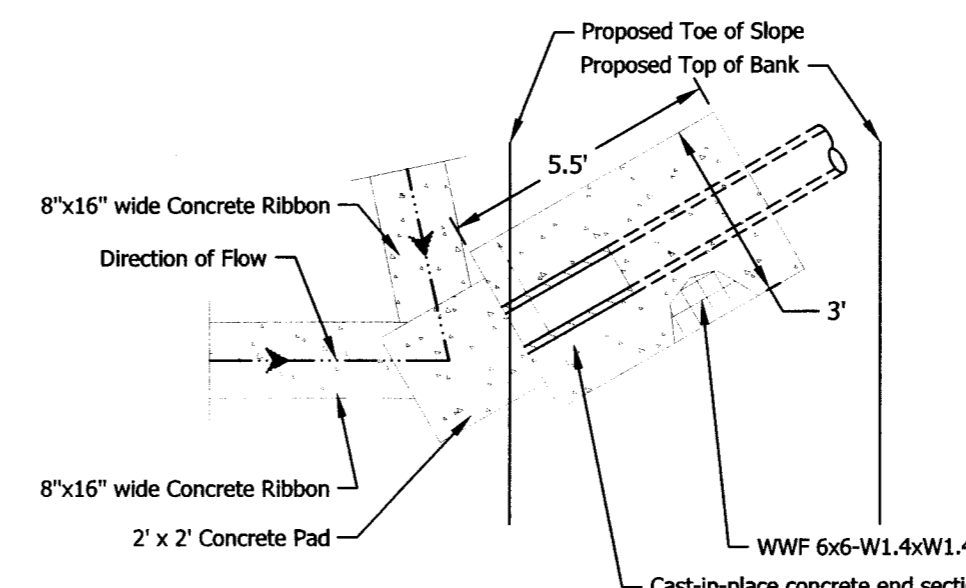
**Site Grass Mix:**

- Seeding from November 15 to February 29:
  - Seed mixture will be applied at a rate of 3 to 4 pounds of Bluegrass and 1 pound of Tall Fescue per 1000 square feet.
  - Mulch will be placed at a rate of 100 pounds per 1000 square feet and crimped into place.
  - Fertilizer having a composition of 12-12-12 will not be applied until the following March. Fertilizer will be applied at a rate of 19 pounds per 1000 square feet.
- Seeding from March 1 to November 14:
  - Seed mixture will be applied at a rate of 6 1/2 pounds of Kentucky 31 Fescue and 1 1/2 pounds of Perennial Rye per 1000 square feet.
  - Fertilizer having a composition of 12-12-12 will be applied at a rate of 19 pounds per 1000 square feet.
  - Mulch will be placed at a rate of 100 pounds per 1000 square feet and crimped into place. Schedule when each disturbed area will be stabilized.
- Dormant or Frost Seeding:
  - Seed mixture will be applied at a rate of 5 to 6 pounds of Tall Fescue and 1 pound of Bluegrass per acre.
  - Fertilizer having a composition of 12-12-12 will be applied at a rate of 19 pounds per 1000 square feet.
  - Mulch will be placed at a rate of 100 pounds per 1000 square feet and crimped into place. Schedule when each disturbed area will be stabilized.

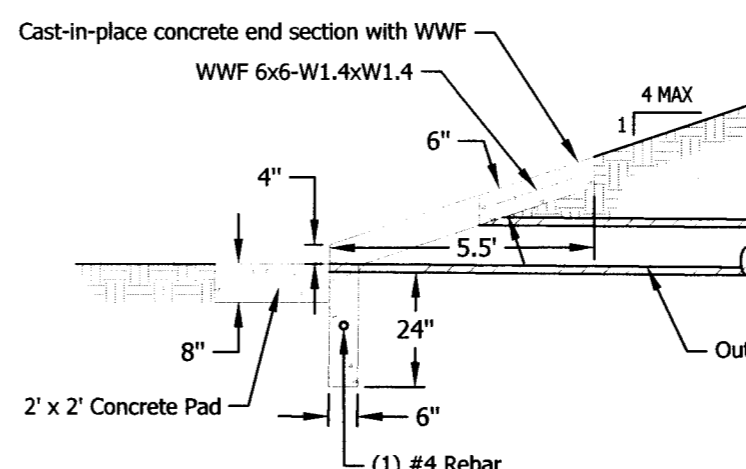
**Bench Mark Data**

- TBM #1: North rim of sanitary sewer manhole on southwest corner of Lot 273 in Stonecrest Section 3. Elevation = 406.14 (NAVD 1988)
- TBM #2: Chiseled square on concrete pad on southwest corner of Lot 273 in Stonecrest Section 2. Elevation = 412.29 (NAVD 1988)

**Upstream**

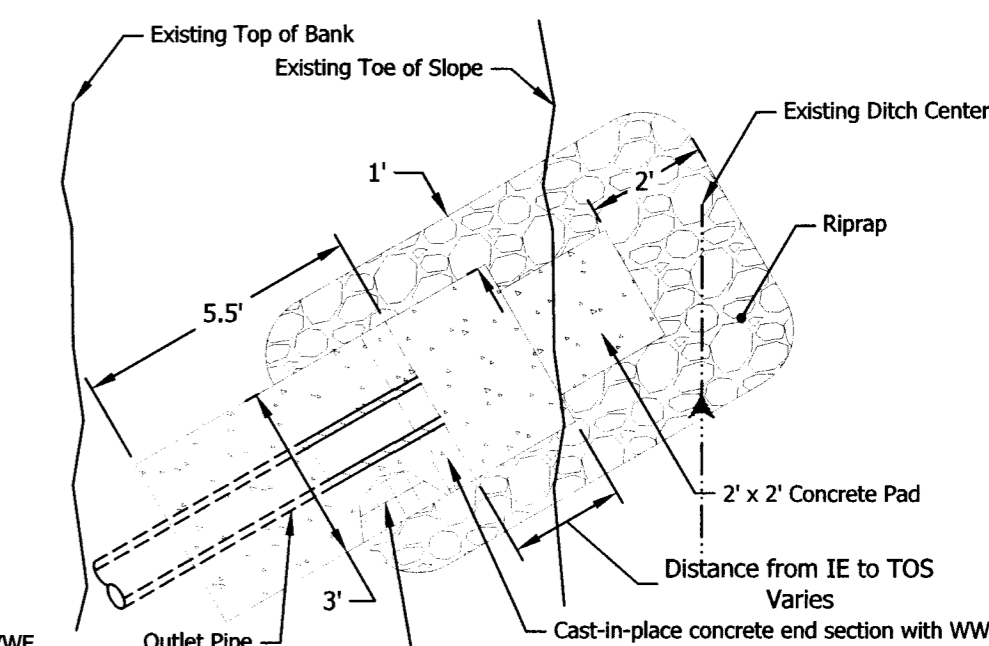


**Plan View**

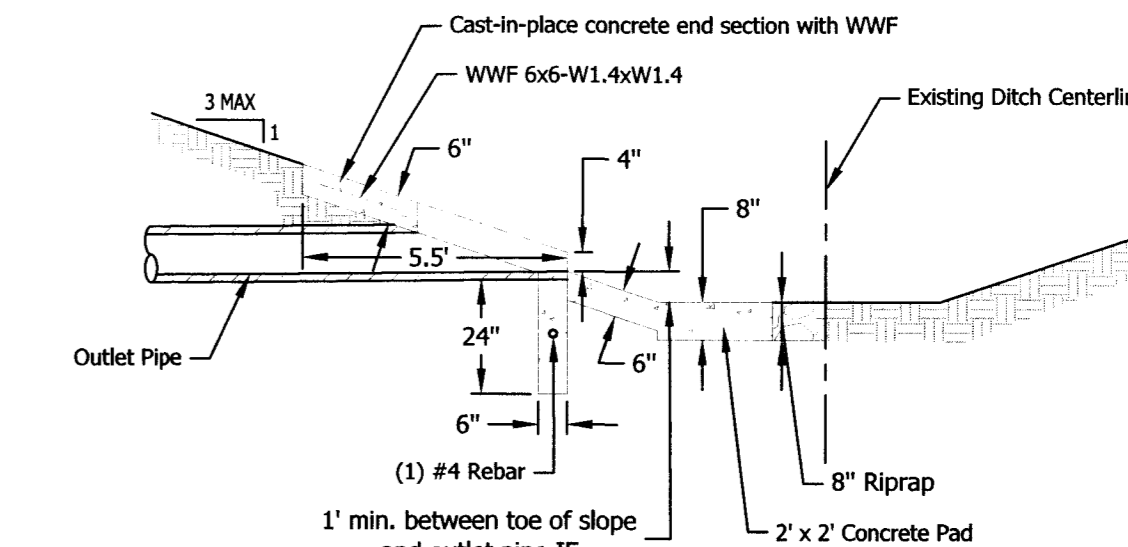


**Section**

**Downstream**



**Plan View**

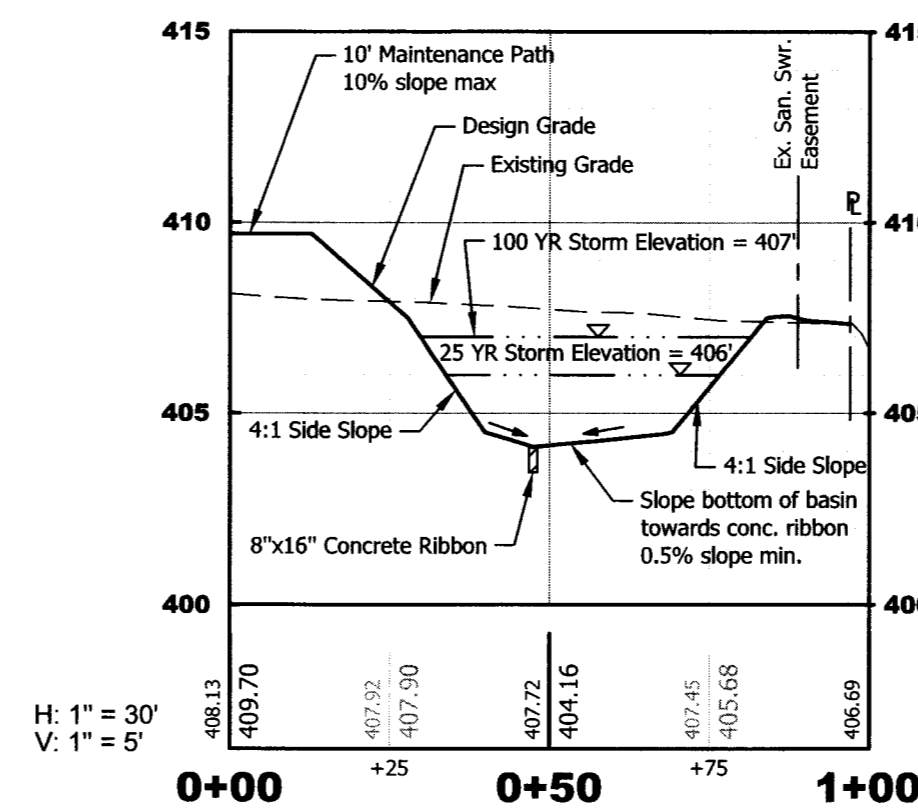


**Section**

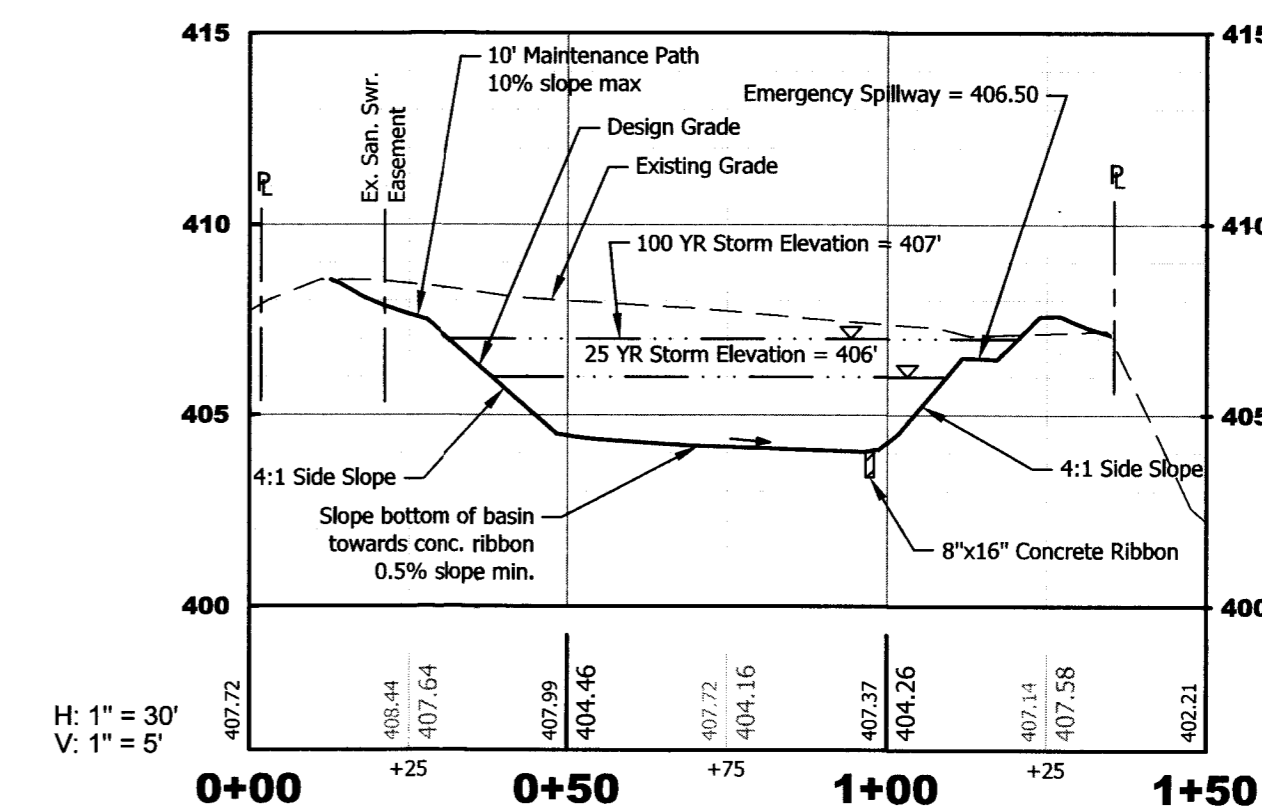
**Outlet Pipe Detail (P 101 and P 201)**

No Scale

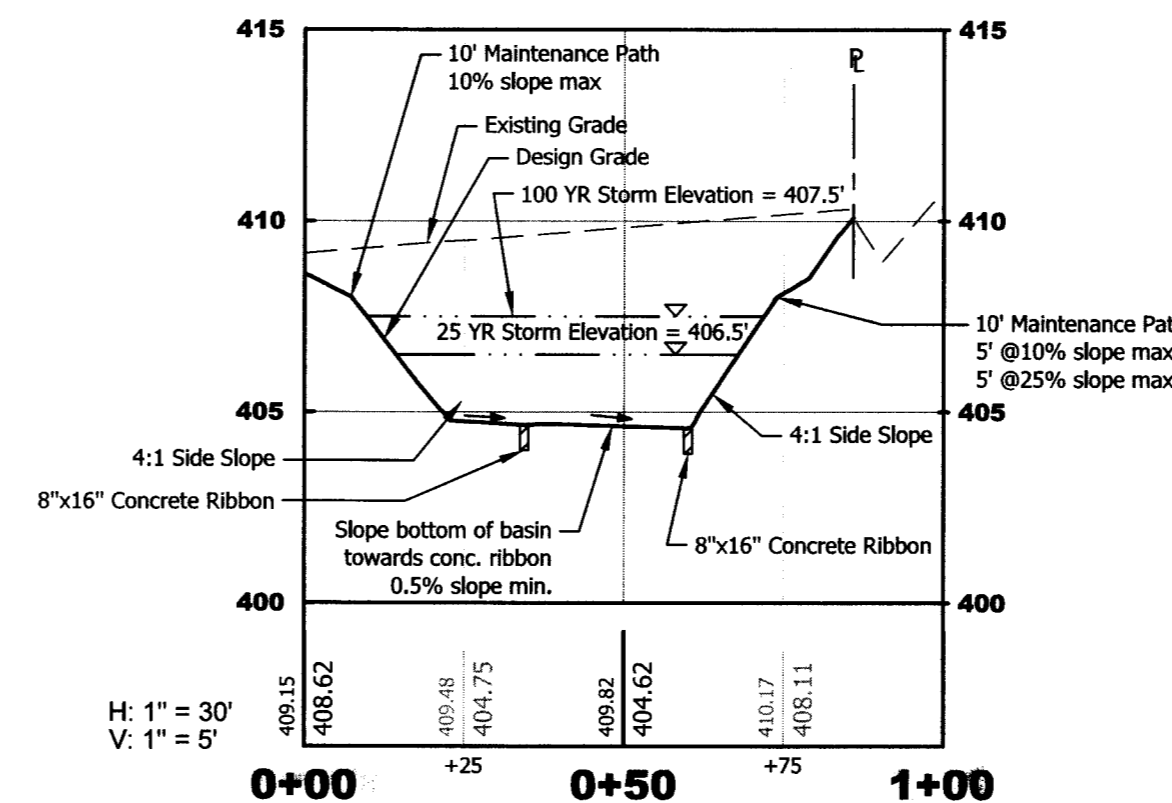
**Dry Detention Basin 1 Section A-A**



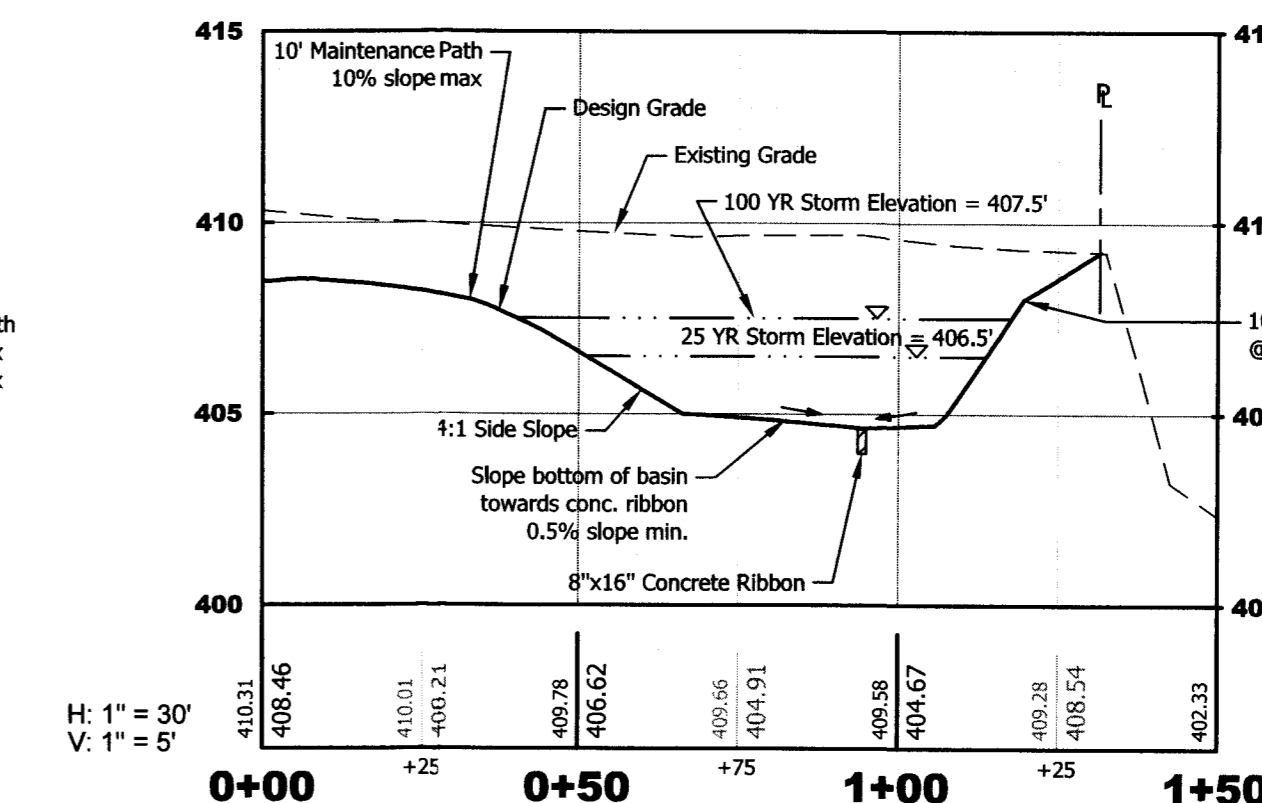
**Dry Detention Basin 1 Section B-B**



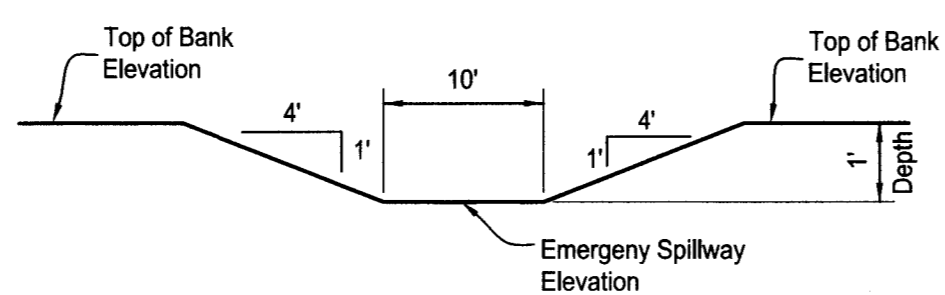
**Dry Detention Basin 2 Section A-A**



**Dry Detention Basin 2 Section B-B**

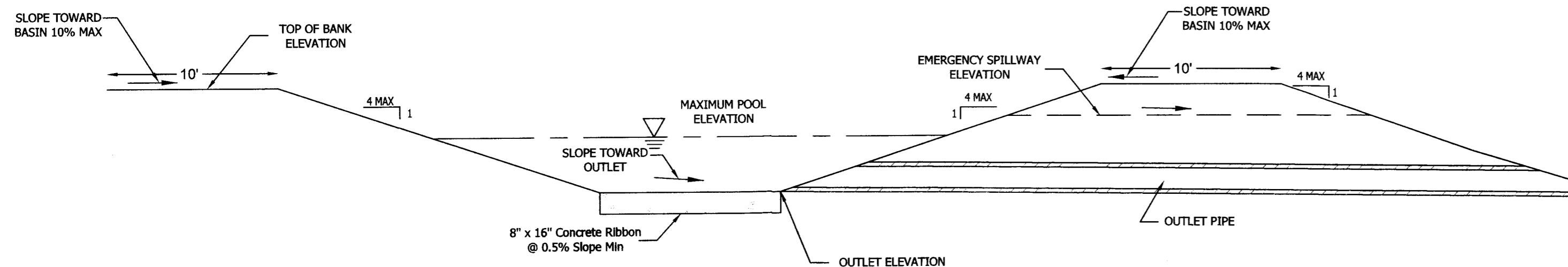


DETENTION BASIN	TOP OF BANK ELEVATION	EMERGENCY SPILLWAY ELEVATION	25 YEAR STORM ELEVATION	OUTLET ELEVATION
1	407.50	406.50	406.00	ze
2	408.00	407.00	406.50	404.50



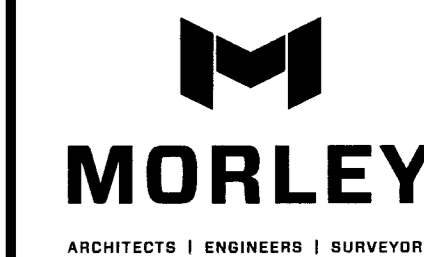
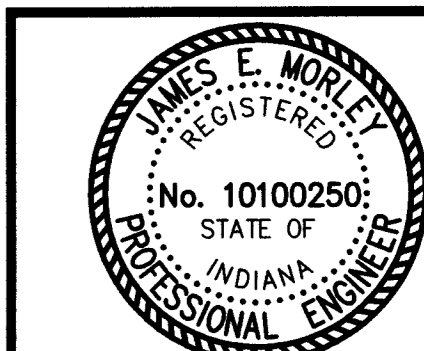
**Emergency Spillway**

No Scale



**Dry Detention Basin Typical Section**

No Scale



All ideas, designs, calculations, and arrangements indicated or represented by this drawing are owned by and are the property of Morley and Associates, Inc. and were created as instruments of service for use on and in connection with the specified project. Morley and Associates retains all common law, statutory law and other rights, including copyrights. No drawings or electronic files shall be reused for any purpose other than the project. They shall not be disclosed to or be used by any other person or firm without the written prior consent of Morley and Associates, Inc. Written dimensions on these drawings shall have precedence over scale dimensions. Contractors shall verify and be responsible for all dimensions and conditions on the job and Morley and Associates, Inc. must be notified of any variations from the dimensions and conditions shown by these drawings. If differences exist between electronic files and the signed and sealed hard copy drawings, the hard copy shall govern.

4800 Roseland Ln., Newburgh, IN 47030  
812.464.6565 Phone 812.464.2514 Fax  
morleycorp.com

Nevayah Place

**Drainage Details**

No. By Date

Revisions

Scale: As shown

Designed By: JEM Job Number: 10390.4.001-B

Drawn By: AMC Date: 8/19/19

Filename: 10390 Civil Base

Sheet Number: C500

RECORDED BY THE  
VANDEBURGH COUNTY  
SURVEYORS OFFICE  
8-19-19