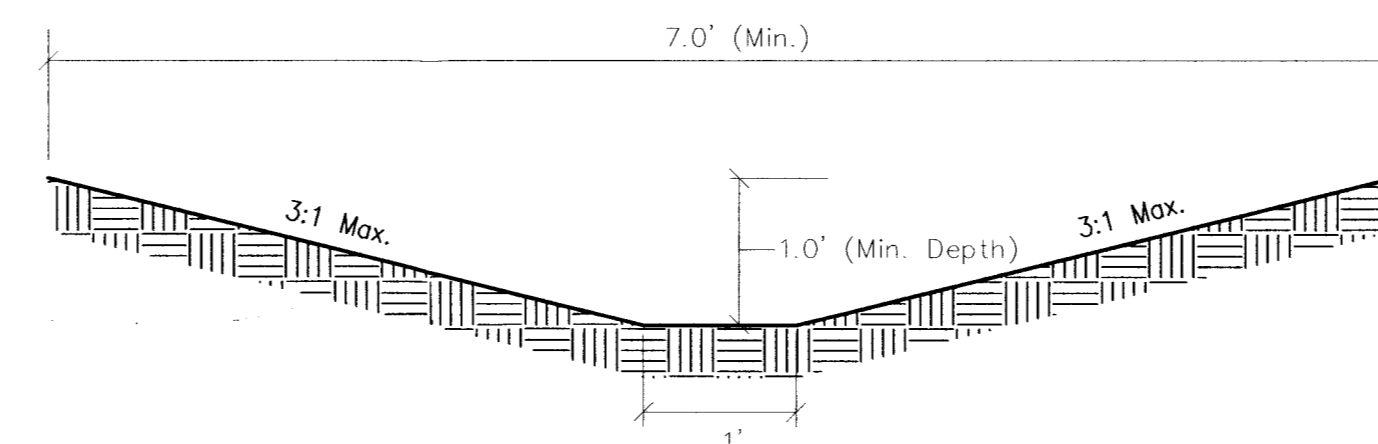


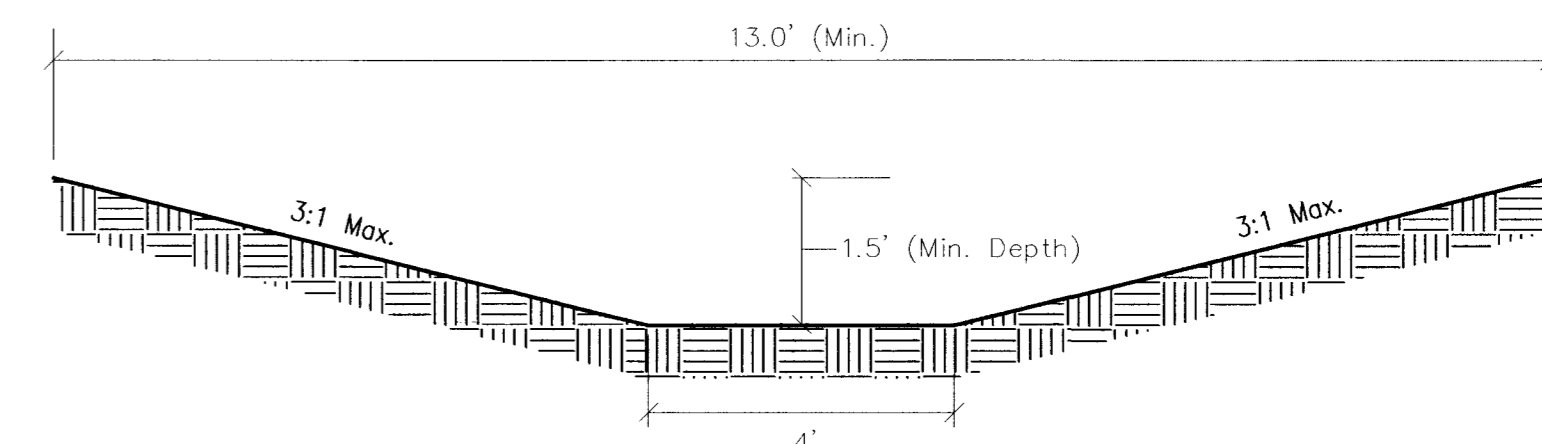
DETENTION BASIN #1 CROSS SECTION A-A

Scale: N.T.S.



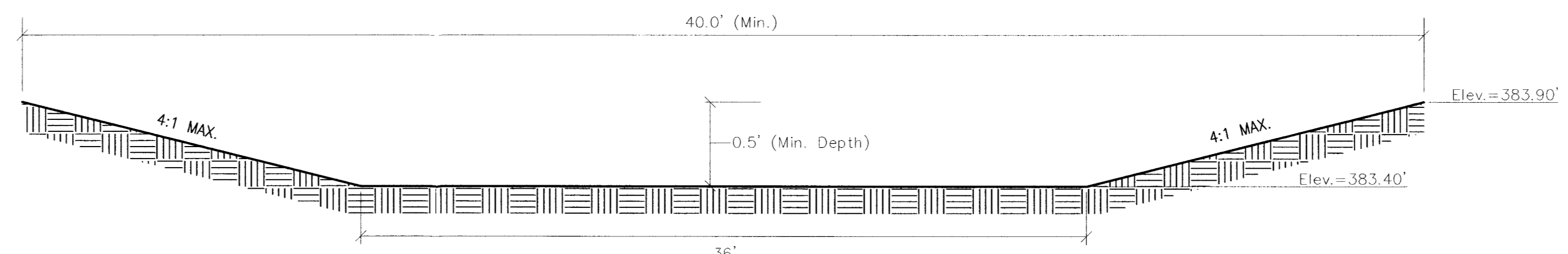
TYPICAL SWALE CROSS-SECTION

Scale: N.T.S.



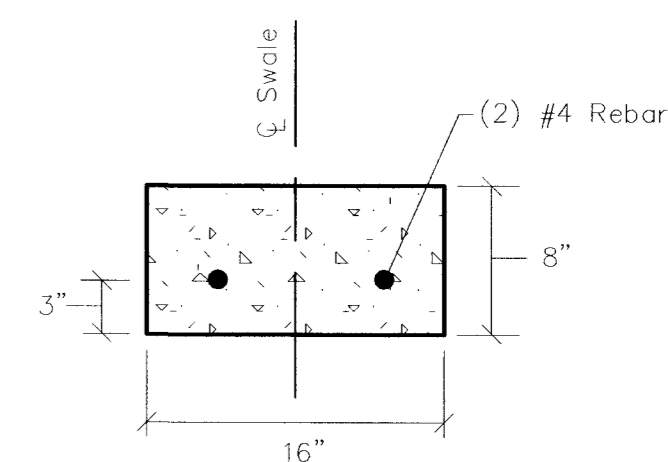
SWALE #3 CROSS-SECTION

Scale: N.T.S.



EMERGENCY SPILLWAY CROSS-SECTION

Scale: N.T.S.



CONCRETE RIBBON

Scale: N.T.S.

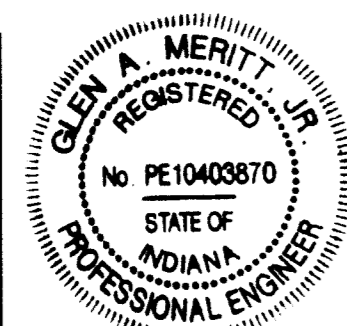
NOTES:
1. A 5% slope or greater is required for the emergency spillway.

APPROVED
OCT 14 2014
VANDERBURGH COUNTY
DRAINAGE BOARD

This drawing and/or specifications is provided as an instrument of service provided by Cash Waggoner & Associates, PC and is intended for use on this project only. All drawings, specifications, designs, models, ideas, calculations, and arrangements appearing herein constitute the original and unpublished work of and remains the property of Cash Waggoner & Associates, PC. Any reproduction, use or disclosure of the proprietary information contained herein without the prior written consent of the Cash Waggoner & Associates, PC is strictly prohibited.

Written dimensions shown hereon shall take precedence over scaled dimensions. Contractors shall calculate and measure required dimensions. Notify Cash Waggoner & Associates, PC with any variations in dimensions or conditions from those indicated on these drawings. This drawing was based on available information. Commencement of Work constitutes verification and acceptance of existing conditions.

Application of a material or equipment to Work installed by others constitutes acceptance of that Work and assumption of responsibility for satisfactory installation.



G.A. Meritt
SIGNATURE
8 Oct 14
DATE



CASH WAGGNER & ASSOCIATES, PC
CONSULTING ENGINEERS • LAND SURVEYORS

414 CITADEL CIRCLE
SUITE B
EVANSVILLE, IN 47715
PH: 812.401.5561
FAX: 812.401.5563
CELL: 812.774.2988
E-MAIL: G.MERITT@CASHWAGGNER.COM

NO.	DATE	BY	DESCRIPTION
1			
2			
3			
4			
5			
6			
7			
8			

PROJECT NO.: 14-1878
DESIGNED BY:
DRAWN BY: G.A.M.
FILENAME: 1878 DrainageDts
LAYOUT TAB:
SCALE: As Shown

PROJECT: **KINWAY PARK**
ADDRESS: **HECKEL ROAD
EVANSVILLE, INDIANA**
SHEET TITLE: **DRAINAGE
DETAILS**

DATE: **10.08.14**
DRAWING NO.: **C-114**
OF: 18

RECEIVED BY THE
VANDERBURGH COUNTY
SURVEYORS OFFICE

10/7/2014