

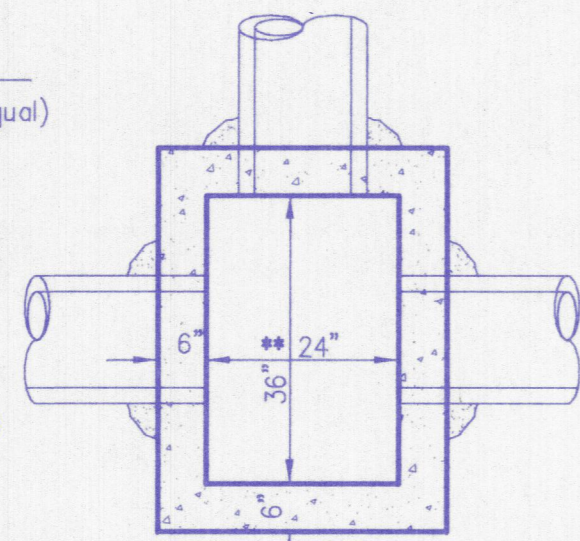
Notes

East Jordan Iron Works, Inc. (or approved equal)
NO. 7030 catch basin curb inlet,
with M2 grate for valley inlets or
M4 grate for slope inlets.
Type T-1 back for straight curbs
Type T-2 back for roll curbs

All connecting pipes shall be grouted
with a high strength non-shrink grout.

Precast units shall conform to ASTM C-478

The inlet shall be backfilled with
"B" Borrow and mechanically compacted
in 6" lifts to 95% of standard density
ASTM-698



Plan View

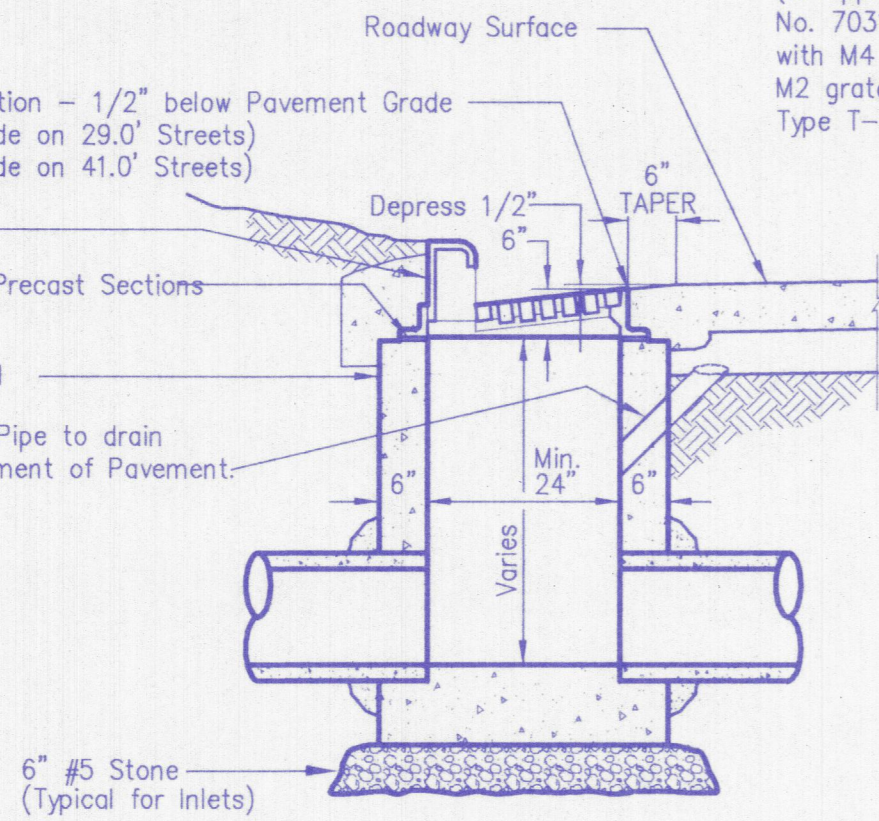
**For Double Curb Inlet
Use 24" W x 74" L Box with
East Jordan Iron Works, Inc.
(or approved equal)
No. 7031 catch basin curb inlet,
with M4 grate for slope inlets or
M2 grate for valley inlets.
Type T-2 back for roll curbs

Front Grate (F.G.) Elevation = 1/2" below Pavement Grade
(0.30' below Profile Grade on 29.0' Streets)
(0.43' below Profile Grade on 41.0' Streets)

Seal Bolt Holes
Mastic Seal Casting to Precast Sections

I.D.O.T. "J" Box or Equal

Pipe Sleeve for 3" Dia. Pipe to drain
Subgrade prior to placement of Pavement.

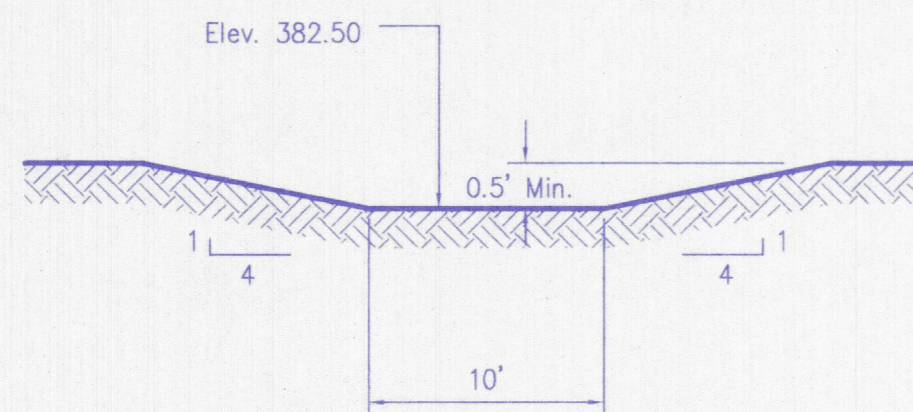


Section

Curb Inlet

3004.dwg Date: 09-10-96

Scale: 1/2" = 1'-0"



Emergency Spillway Cross Section

No Scale

Notes

1. TRAFFIC AREAS: Manhole Frame & Cover: ASTM-48, Latest Edition, Class 35 With 24" Diameter lid. 7" Min. Height 400# Min. Wgt. Equal to East Jordan 1022-3 or Dewey RCR 247 with extra heavy duty cover, machined bearing surface & concealed lift holes.

NON-TRAFFIC AREAS: 4" or 7" hgt. 285# min. wgt., equal to East Jordan 1022-1 with Heavy Duty Cover, machined bearing surface & concealed Lift Holes. Set Top 2" above Grade (after Earth settlement).

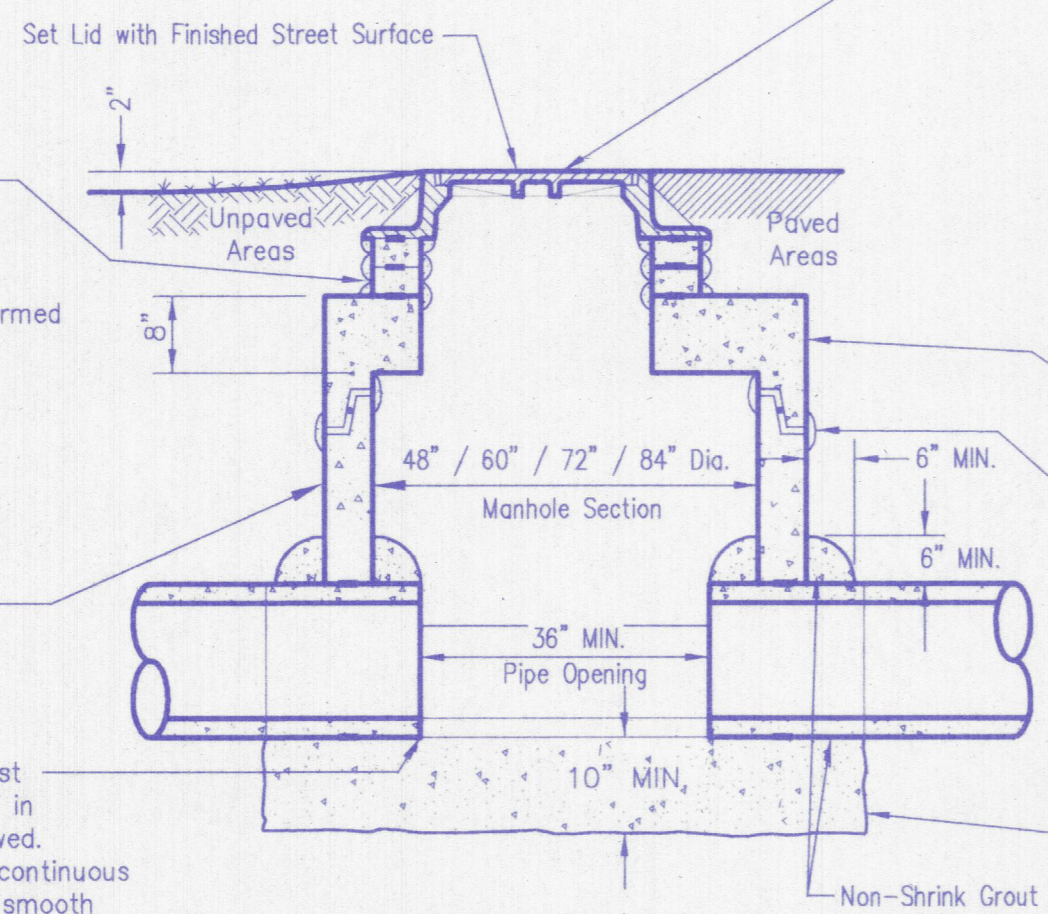
For curb inlet (CI) installations equal to East Jordan No. 7030, M3 Grate for valley inlets and M4 for slope inlets. Type T-1 (Straight) or T-2 (Roll Curb) back.

Area Drain (A.D.) installations equal to East Jordan Iron Works, Inc., No. B315M grate

3. Precast flat top section, ASTM C-478 4000 PSI concrete with special reinforcing and proper size opening for specified inlet installation.

4. JOINTS: O-Ring Rubber Gasket Joint ASTM C-443 or ASTM C-76 with preformed Joint Filler Strip, or Forsheda 114 Pre-lubricated manhole joint Seal conforming to ASTM C443 or equal. Interior and exterior of joint to be grouted with Non-shrink grout.

6. POURED CONCRETE BASE SECTION, 3500 PSI Concrete, with smooth invert channels accurately shaped to a depth equal to 3/4 of the Inside Dia. of Sewer Pipe. Manhole shelf to slope towards channel at 1:12, minimum base overhang 6"



Shallow Storm Manhole, Inlet or Area Drain

3003.dwg Date: 09-10-96

Scale: 1/2" = 1'-0"

Notes

For Area Inlet in pavement East Jordan #8313 casting with grate or equal. For area inlet in non-paved areas: East Jordan #6610 casting, or equal, with adaptor ring.

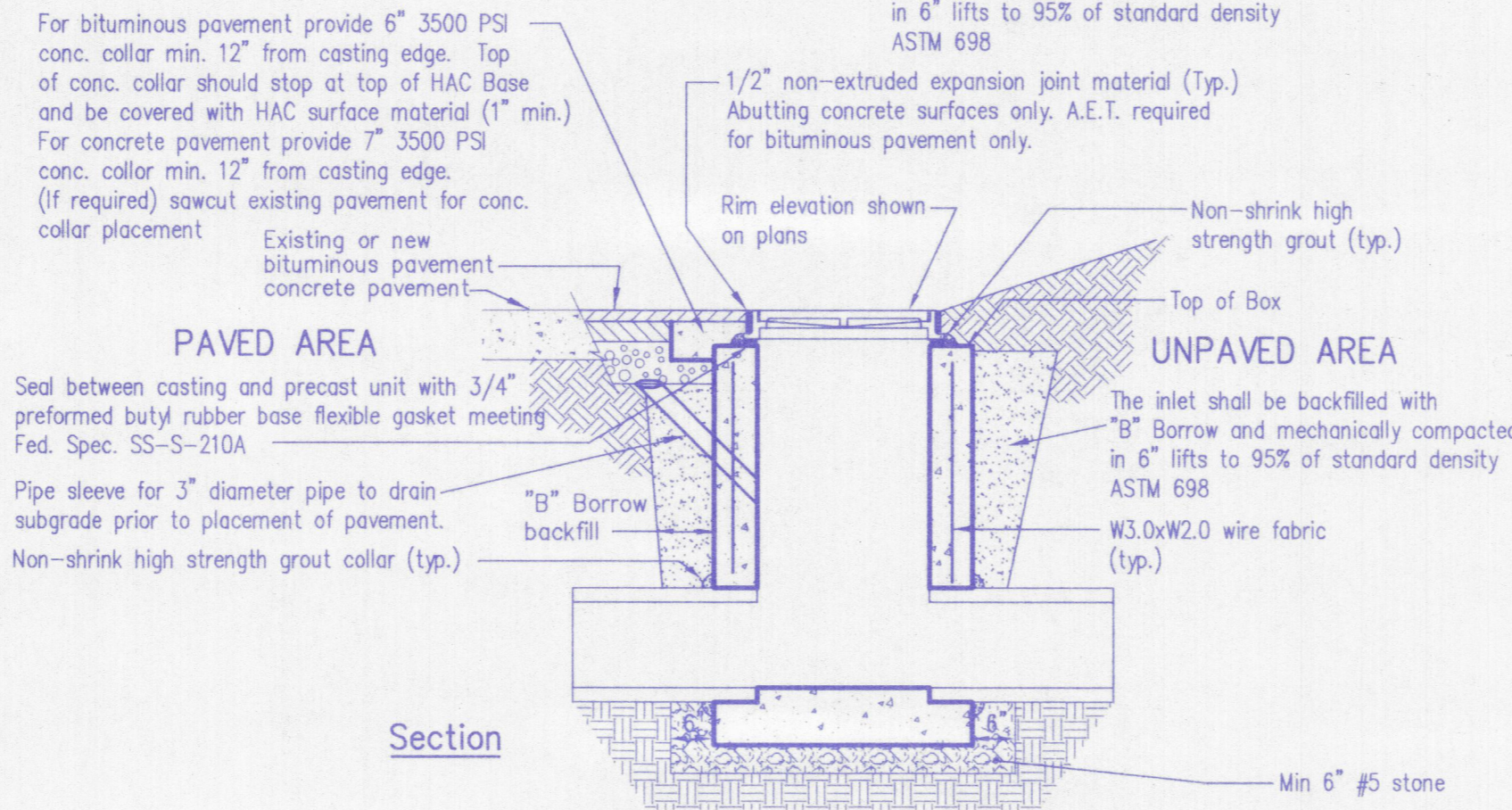
For Manhole East Jordan #8313 casting with Type A solid cover or equal. Contractor may substitute East Jordan #1022 casting with Type A solid cover, or equal, with adaptor ring.

All connecting pipes shall be grouted with a high strength non-shrink grout.

Precast inlets shall conform to ASTM C-478

Reinforcement shall be W3.0xW2.0 wire fabric for precast units

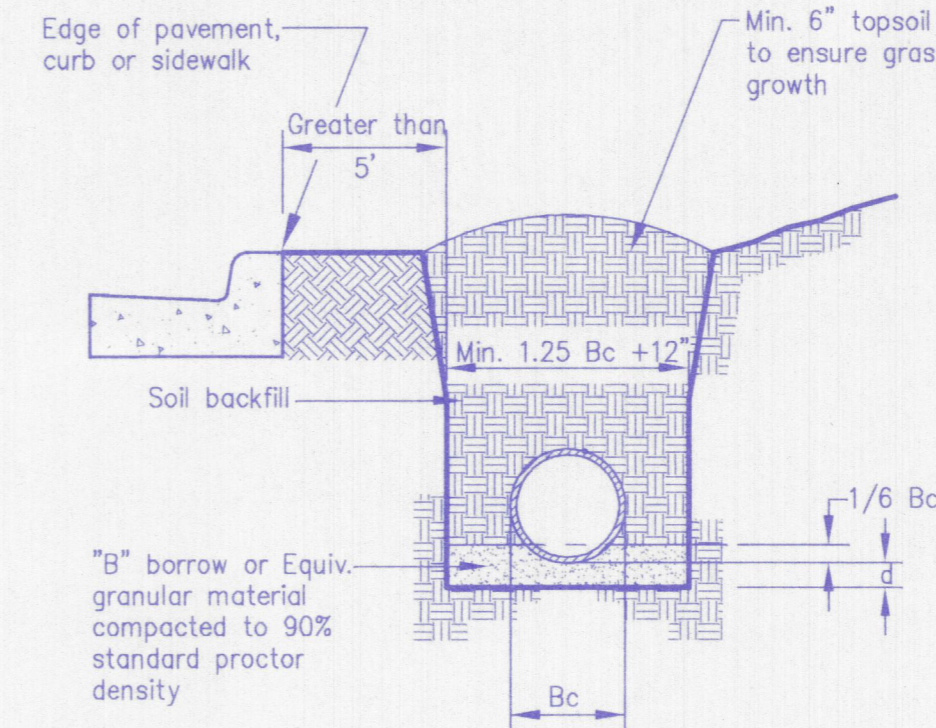
The inlet shall be backfilled with "B" Borrow and mechanically compacted in 6" lifts to 95% of standard density ASTM 698



Section

Precast "E" Box

Scale: 1/2" = 1'-0"



Greater than 5' from edge of pavement

Note:

All bedding & initial backfill shall be installed in 6" to 12" balanced lifts

A minimum 9" of clearance shall be provided on each side of the installed pipe

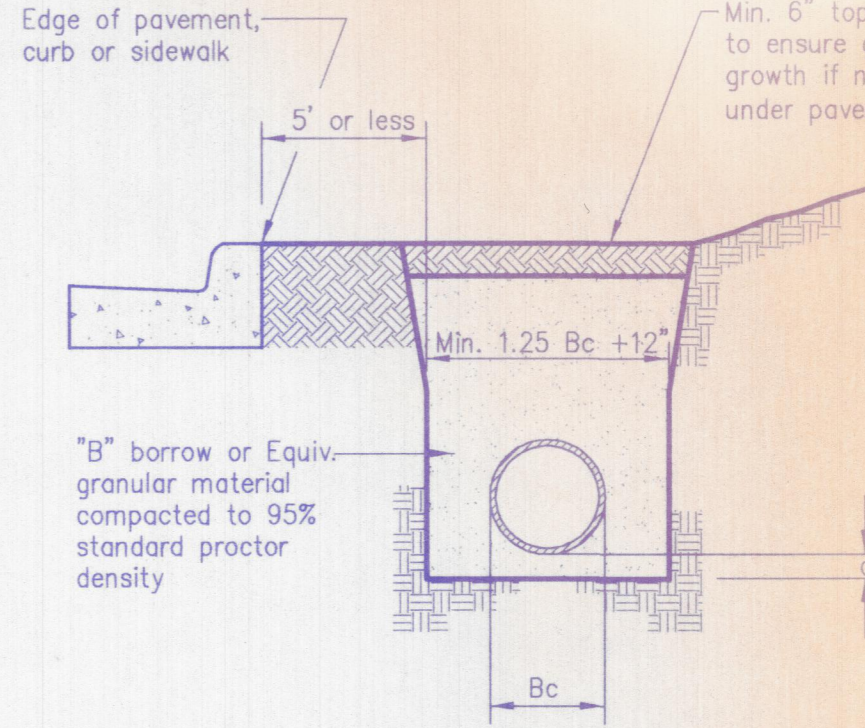
Depth of Bedding Material Below Pipe

D	(d) Min.
27" & Smaller	3"
30" to 60"	4"
66" & Larger	6"

Reinforced Concrete Pipe Storm Sewer Bedding

3012.dwg Date: 10-14-96

No Scale



Beneath or within 5' of edge of pavement

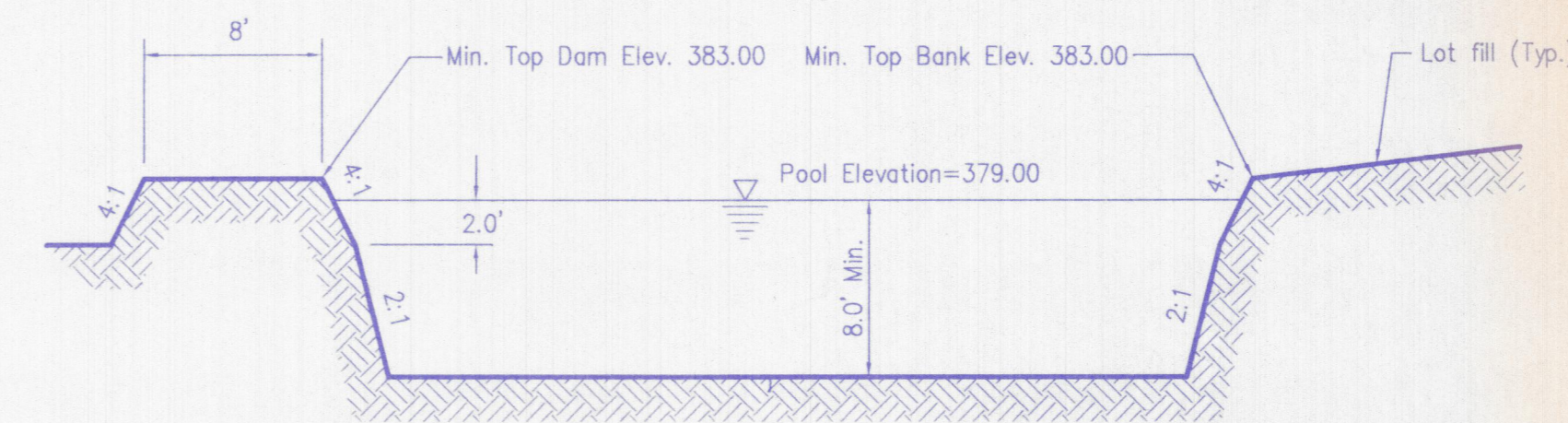
Note:

All bedding & initial backfill shall be installed in 6" to 12" balanced lifts

A minimum 9" of clearance shall be provided on each side of the installed pipe

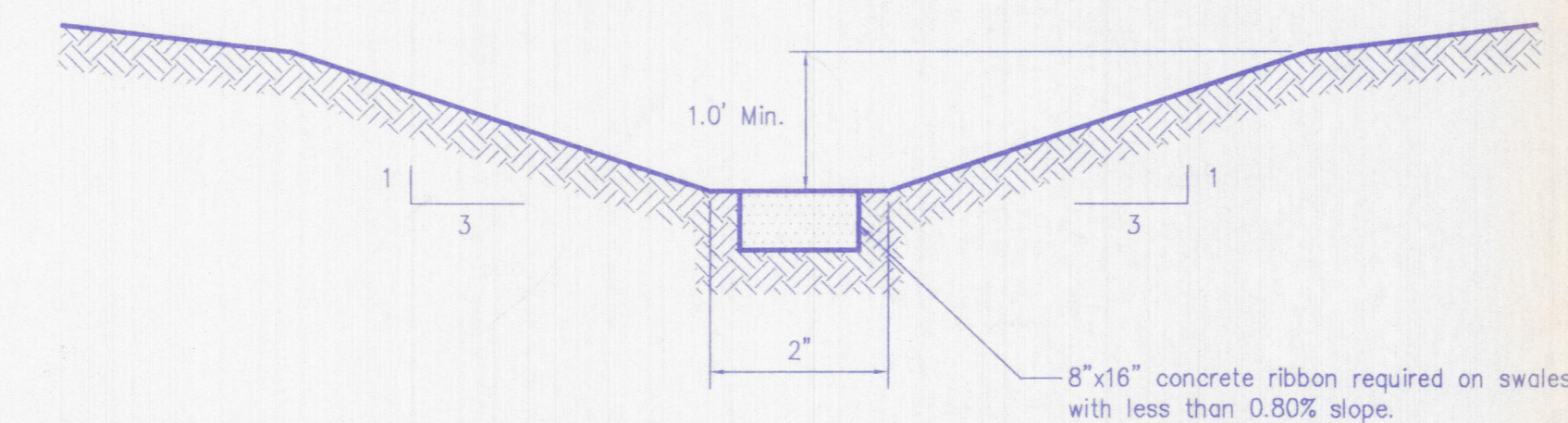
LEGEND:

Bc = Outside Diameter
D = Inside Diameter
d = Depth of Bedding Material Below Pipe



Basin Cross Section

No Scale



Typical Swale Cross Section

Scale: 1/2" = 1'-0"

General Notes:

- Contractor shall comply with all local, state and federal codes, ordinances, rules, regulations, orders and other legal requirements of municipal authorities which bear on the performance of the work.
- The contractor is cautioned that the location and/or elevation of existing utilities as shown on these plans is based on records of various utility companies, and where possible measurements taken in the field. The information is not to be relied on as being exact or complete. The contractor must contact the appropriate utility company at least 48 hours before any excavation to request exact field location of utilities. **Contractor shall locate existing utilities and establish elevations and clearances with proposed improvements prior to initiating construction.**
Indiana Underground Utility Locate Service
Phone: 1-(800)-382-5544
- Material specifications shall be in conformance with applicable portions of the INDOT Standard specifications, (latest edition) unless specifically stated otherwise on these plans, contract documents or local code.
- Reinforced concrete pipe (Class III min.) and precast flared end sections with rubber gaskets shall meet the requirements ASTM C-76 and C-443. Rubber gaskets shall be "Clip Seal" as manufactured by Forsheda Pipe Seal Company or approved equal.

**RECORD
DRAWING**

Morley and Associates, Inc.
Consulting Engineers/Surveyors/Architects
600 Southeast Sixth Street
Evansville, Indiana 47713
Phone: (812) 464-9585
http://www.evansville.net/~morley
Email: morley@evansville.net

All lines, design, calculations, and arrangements indicated on this drawing are the property of Morley and Associates, Inc. and were created for the use in and for the project shown. No part of this drawing may be reproduced, stored in a retrieval system, or transmitted in any form or by any means, electronic, mechanical, photocopying, recording, or by any information storage and retrieval system, without the written permission of Morley and Associates, Inc. The user of this drawing shall be responsible for the accuracy of the information shown. Contractors shall verify and be responsible for scale dimensions. Contractors shall verify and be responsible for the accuracy of the information shown. The user of this drawing shall be responsible for the accuracy of the information shown. The user of this drawing shall be responsible for the accuracy of the information shown.

No.	By	Date	Description



Project: Keystone Section VII
Keystone Development, LLC
Sheet Title: Storm Sewer/Drainage Details

Scale: As Shown
Designed By: D.W.S. Job Number: 3998-4
Drawn By: G.A.M. Date: 8-01-00
Checked By: F.M. Filename: Strmtdts.dwg
Sheet Number: C-14 of 18