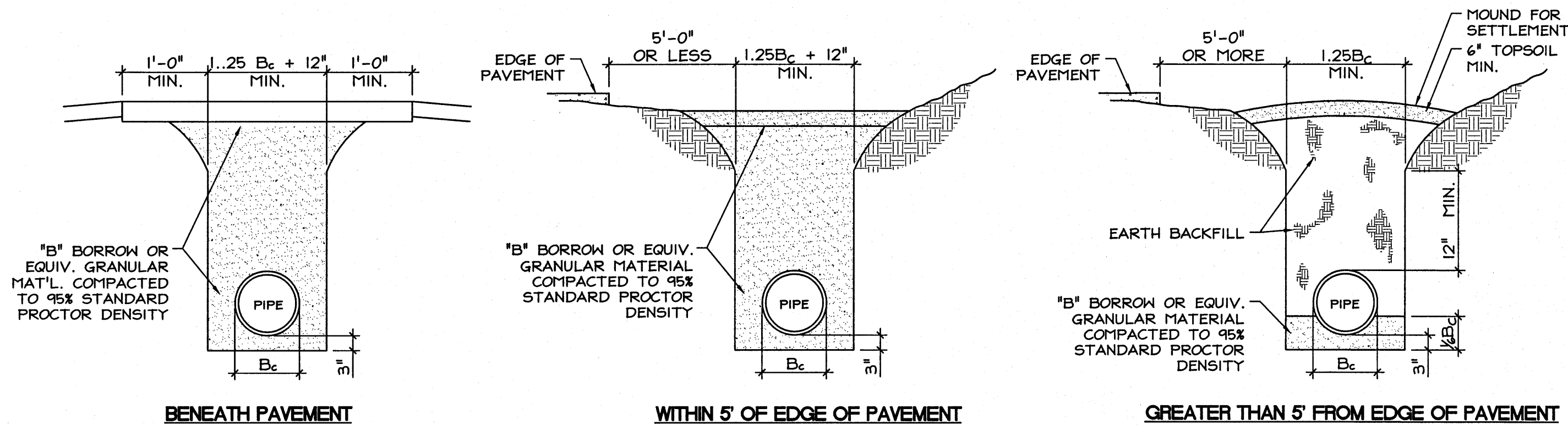


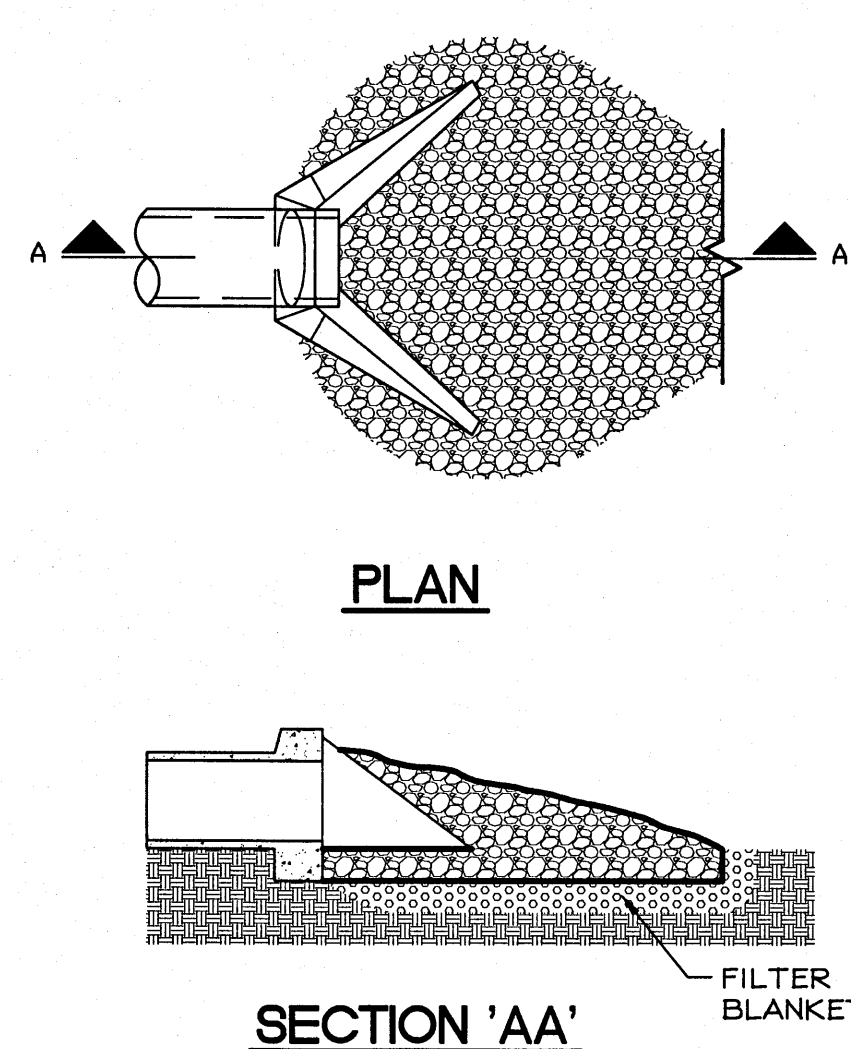
- NOTES:**
- 1.) ALL BEDDING AND INITIAL SHALL BE INSTALLED IN 6" TO 12" BALANCED LIFTS. A MINIMUM OF 9" OF CLEARANCE SHALL BE PROVIDED ON EACH SIDE OF INSTALLED PIPE.
  - 2.) Bc = OUTSIDE DIAMETER OF PIPE
  - 3.) POLYVINYL CHLORIDE (PVC) PIPE SHALL BE SDR 35, SHALL BE MANUFACTURED IN ACCORDANCE WITH ASTM D-3034, AND SHALL HAVE A MINIMUM CELL CLASSIFICATION PER ASTM D-1784. PIPE SHALL HAVE BELL AND SPIGOT WITH ELASTOMERIC GASKETS FOR JOINTING ACCORDING TO ASTM D-3212.

**PLASTIC PIPE (PVC and HDPE)  
TRENCH/PIPE BEDDING** (C100)



- NOTES:**
- 1.) ALL BEDDING AND INITIAL BACKFILL SHALL BE INSTALLED IN 6" TO 12" BALANCED LIFTS. A MINIMUM OF 9" OF CLEARANCE SHALL BE PROVIDED ON EACH SIDE OF INSTALLED PIPE.
  - 2.) Bc = OUTSIDE DIAMETER OF PIPE
  - 3.) REINFORCED CONCRETE PIPE (RCP) SHALL BE IN ACCORDANCE WITH ASTM C76 (WALL B). PIPE SHALL HAVE BELL AND SPIGOT WITH JOINTS IN ELASTOMERIC GASKETS FOR JOINTING ACCORDING TO ASTM D-3212.

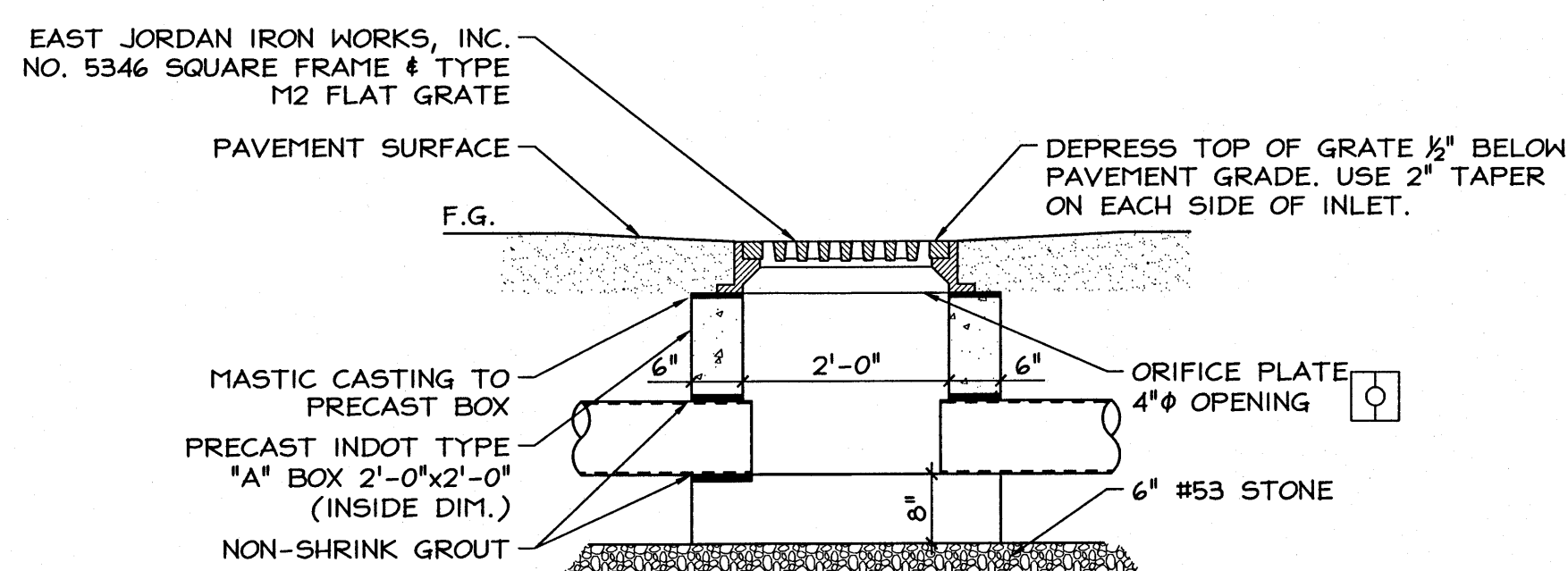
**RCP STORM SEWER  
TRENCH/PIPE BEDDING** (C102)



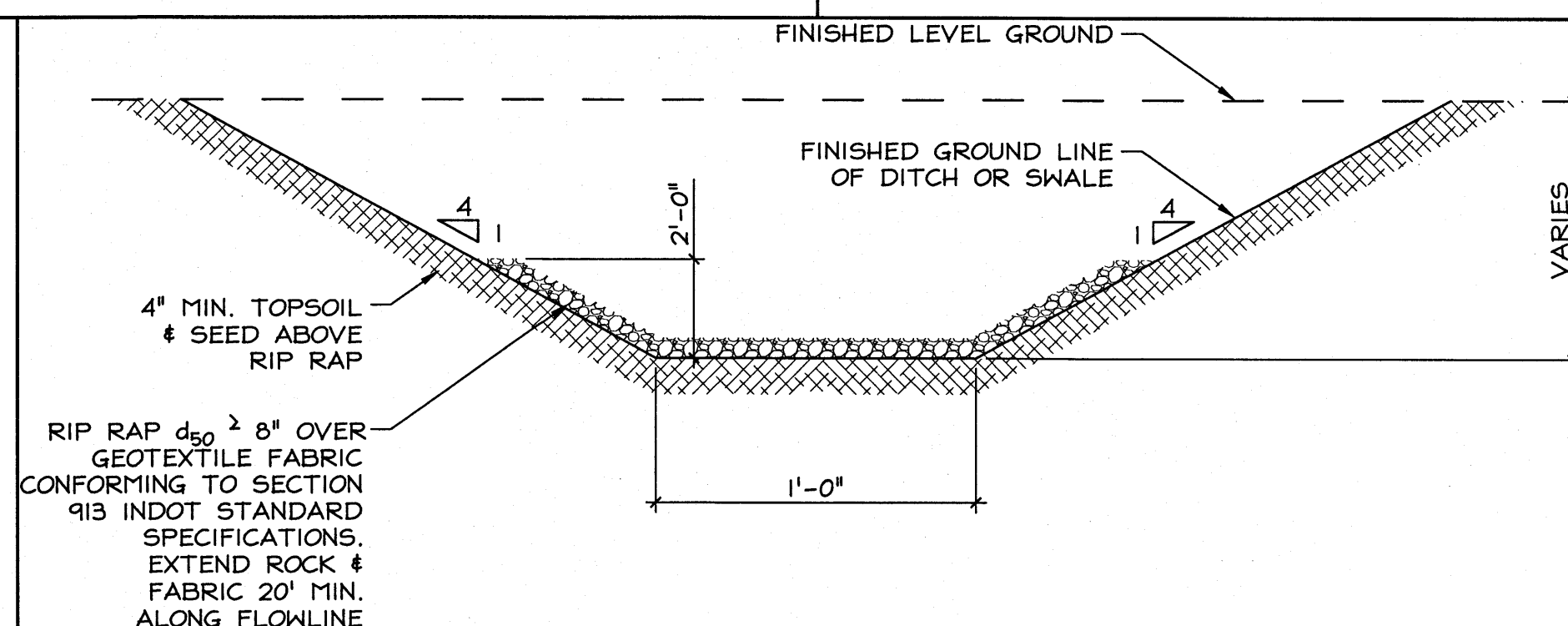
**NOTES:**

1. GRADE OF THE APRON SHALL BE 0.0%.
2. THE APRON SHALL BE LOCATED SO AS TO AVOID BENDS IN THE HORIZONTAL ALIGNMENT.
3. THE APRON MAY BE LINED WITH RIPRAP, GROUTED RIPRAP, CONCRETE, OR GABION BASKETS.
4. GRADATION, QUALITY, AND PLACEMENT OF RIPRAP SHALL CONFORM TO SECTION 904 OF INDOT'S STANDARD SPECIFICATIONS.
5. STONE SHALL BE PLACED HOMOGENEOUSLY AND TO THE FULL COURSE THICKNESS IN ONE OPERATION; DISPLACEMENT OF UNDERLYING MATERIALS SHALL BE AVOIDED.
6. A GEOTEXTILE, OR A GRANULAR FILTER, SHOULD ALWAYS BE INCLUDED AND PLACED BETWEEN THE RIPRAP AND THE UNDERLYING SOIL. THE GEOTEXTILE MATERIAL TO BE USED SHALL CONFORM TO SECTION 913 OF INDOT'S STANDARD SPECIFICATIONS.
7. THE GEOTEXTILE SHALL BE PROTECTED FROM PUNCHING, CUTTING, OR TEARING.

**ROCK OUTLET PROTECTION** (C103)



**DROP INLET CATCH BASIN DETAIL** (C104)



**SPILLWAY/DITCH CROSS SECTION** (C105)

NORTH

**Professional Consultants, Inc.**  
Evansville • Rockport  
Engineering/Architecture  
Construction Management  
www.pcdesign.com

**SITE STUDY  
FIRST CHRISTIAN CHURCH  
HIGHWAY 57  
EVANSVILLE, INDIANA**

ISSUE	DATE	DESCRIPTION
PROJECT NUMBER:	20030167.00.00	
DRAWN BY:	APA	DATE: 07/09/03
DESIGNED BY:	JWB	DATE: 07/09/03
TECH CHECKED BY:	JWB	DATE:
QC CHECKED BY:		DATE:

**DRAINAGE DETAILS**

**C-501**  
SHEET NUMBER

**FOR CONSTRUCTION**