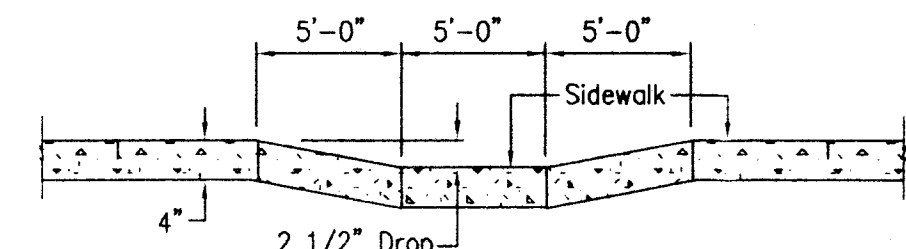


- NOTE:
- CONCRETE RIBBON REQUIRED IF LONGITUDINAL SLOPE IS LESS THAN 0.8%
 - THE BOTTOMS OF SEEDED, GRASS-LINED SWALES WITH GRADES FROM 1% TO 2% SHALL HAVE EROSION CONTROL BLANKETS PROPERLY INSTALLED.
 - SWALES WITH GRADES GREATER THAN 2% AND UP TO 6% SHALL HAVE BOTTOMS LINED IN STAKED SOD OR SHALL HAVE EROSION CONTROL BLANKETS PROPERLY INSTALLED.
 - ALL SWALES WITH GRADES GREATER THAN 6% SHALL HAVE BOTTOMS LINED WITH 6" RIP RAP
 - RIP-RAP OR EROSION CONTROL BLANKET REQUIRED ON SIDE SLOPES OF SWALES WITH A GRADE OF 2% OR GREATER

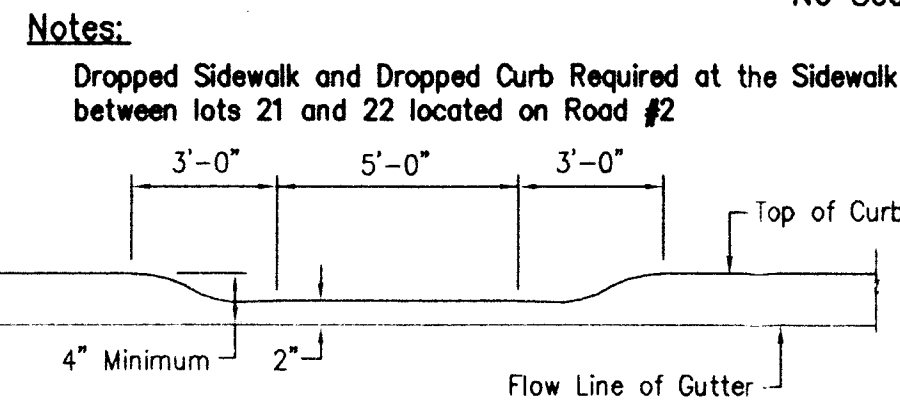
Drainage Swale

No Scale



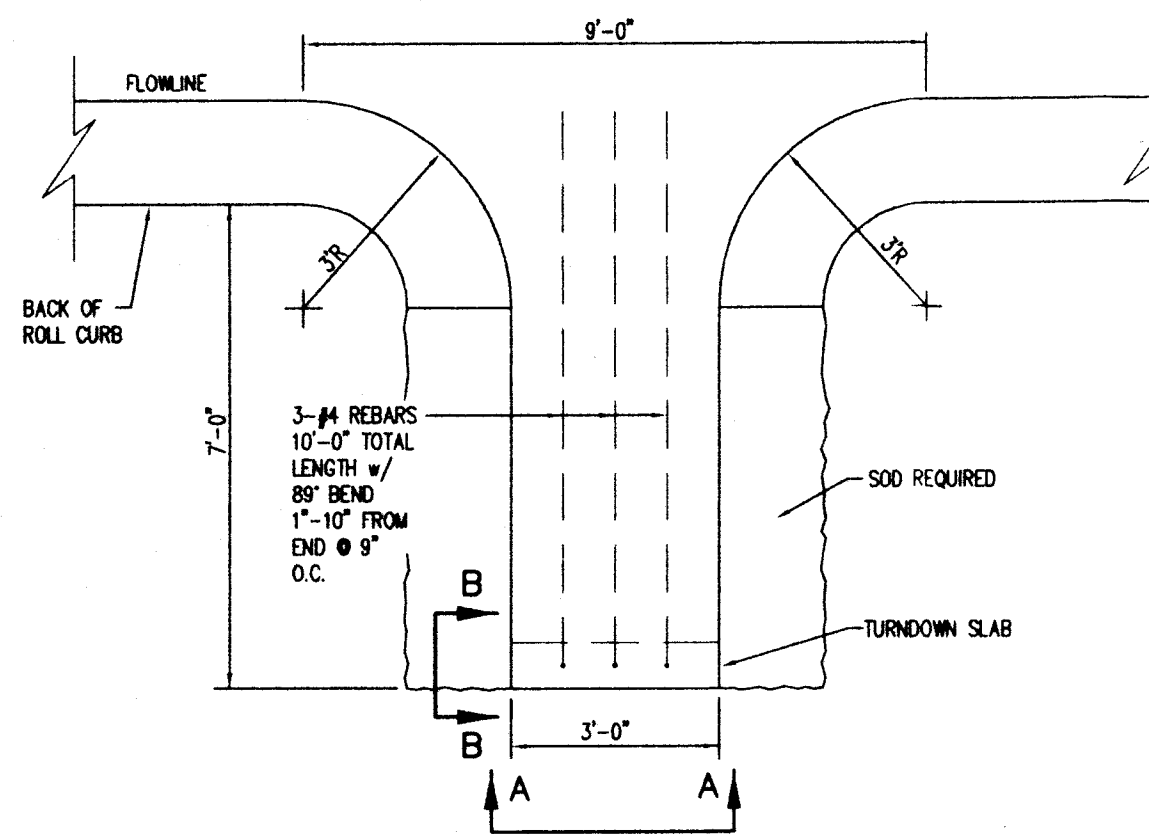
Dropped Sidewalk at Emergency Surface Overflow

No Scale



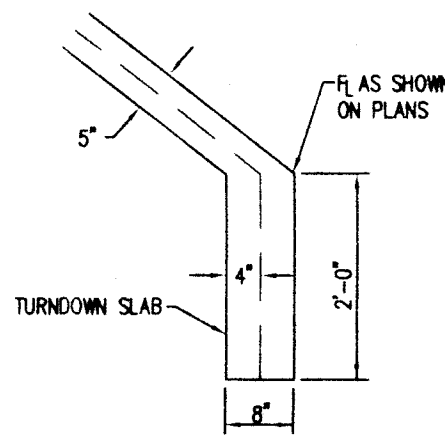
Dropped Curb at Emergency Surface Overflow

No Scale

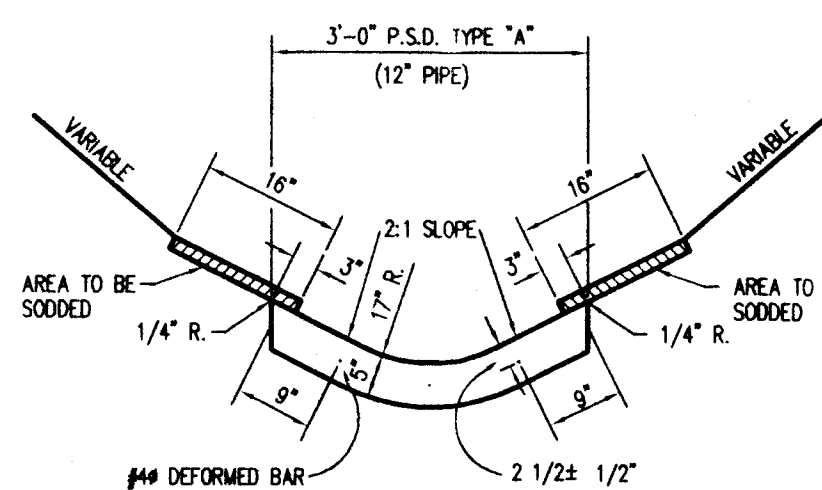


Roll Curb Turnout

No Scale



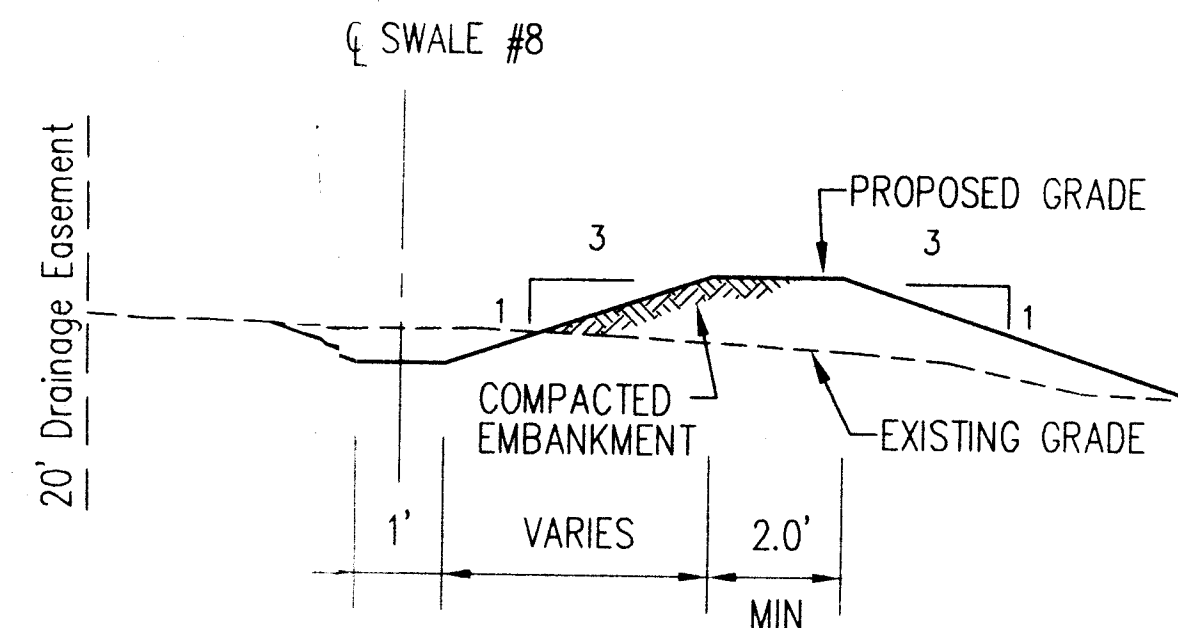
SECTION B-B



SECTION A-A

SWALE DATA TABLE							
Swale Number	Length (ft)	Slope (Percent %)	Upstream Elevation	Downstream Elevation	Erosion Control Method	Maximum Flow Rate (cfs)	Velocity (ft/s)
1	55.00	3.69	443.20	441.17	SS	3.98	4.03
	77.50	9.23	441.17	434.00	RR	3.98	5.55
	127.50	3.92	434.00	429.00	SS	4.40	4.16
	70.00	1.43	429.00	428.00	ECB	4.96	2.95
	112.84	1.01	428.00	426.86	ECB	4.98	2.60
	185.94	5.86	426.86	415.96	SS	5.38	5.08
	82.00	3.85	415.96	413.46	SS	5.98	4.10
	56.31	4.72	413.46	410.80	SS	7.42	4.42
	192.66	3.20	410.80	404.64	RR	8.86	6.08
	71.20	6.69	404.64	399.88	RR		
2	212.70	8.93	438.00	419.00	RR	1.99	4.55
	174.00	4.60	419.00	411.00	SS	2.81	3.92
	240.74	3.23	411.00	403.00	SS	5.00	4.00
3	100.20	7.19	443.20	436.00	RR	1.16	3.61
	155.00	1.00	436.00	434.45	ECB	2.78	2.23
	116.34	1.00	434.45	433.29	ECB	2.78	2.23
	131.37	5.55	433.29	426.00	SS	3.09	4.31
	174.00	7.47	426.00	413.00	RR	3.58	5.00
	240.97	1.87	413.00	408.50	ECB	4.68	3.21
4	155.00	7.10	431.00	420.00	RR	5.92	5.60
	151.26	3.31	420.00	415.56	SS	10.64	4.90
	67.00	3.64	418.00	415.56	SS	2.50	3.49
5	74.50	1.60	420.50	419.31	ECB	0.55	1.70
	161.86	4.48	419.31	412.05	SS	1.41	3.22
	160.24	2.47	412.05	408.09	SS	2.72	3.09
	238.16	1.00	408.09	405.71	ECB	4.15	2.47
6	276.95	4.33	422.80	410.80	SS	4.62	4.37
7	124.60	1.79	399.23	397.00	ECB	9.15	3.75
8	160.00	2.66	414.75	410.50	ECB	0.70	2.20
	160.00	4.03	410.50	404.05	ECB	0.87	2.70
	80.00	0.85	404.05	403.37	ECB	1.21	1.69
	308.21	0.71	403.37	401.18	CR	2.35	1.88
	104.23	2.80	400.00	397.08	ECB	2.90	3.29
9	136.65	0.56	404.14	403.37		4.15	1.74

J:\4780\Civil-West\SECTION 2\Drainage-Sec2\Swale Data Table.xls
 ECE - Erosion Control Blanket
 SS - Staked Sod or Erosion Control Blanket
 RR - 6" Rip Rap
 CR - Concrete Ribbon

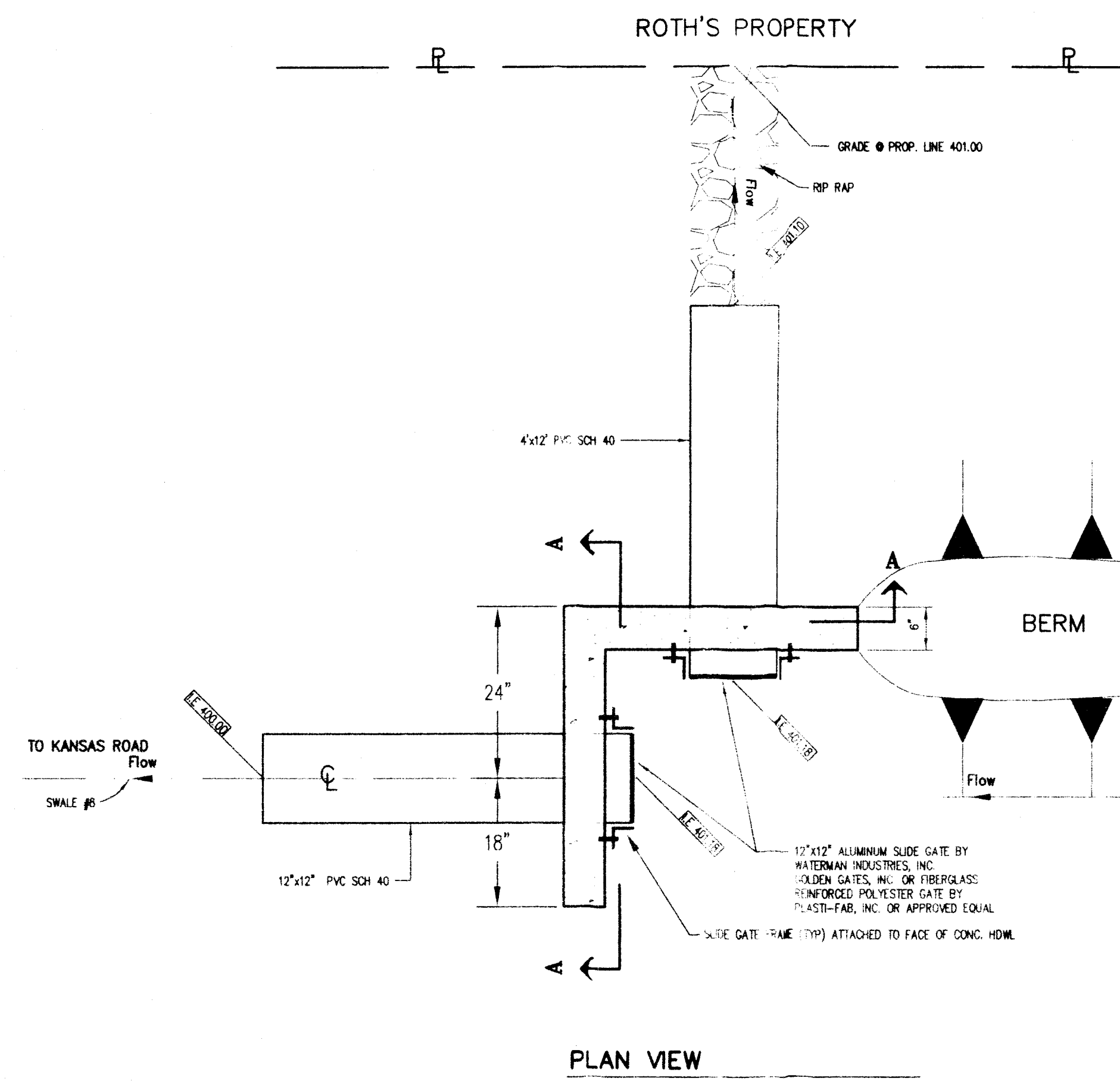


Typical Berm Deail Along Lots 20 to 23 Looking North

No Scale

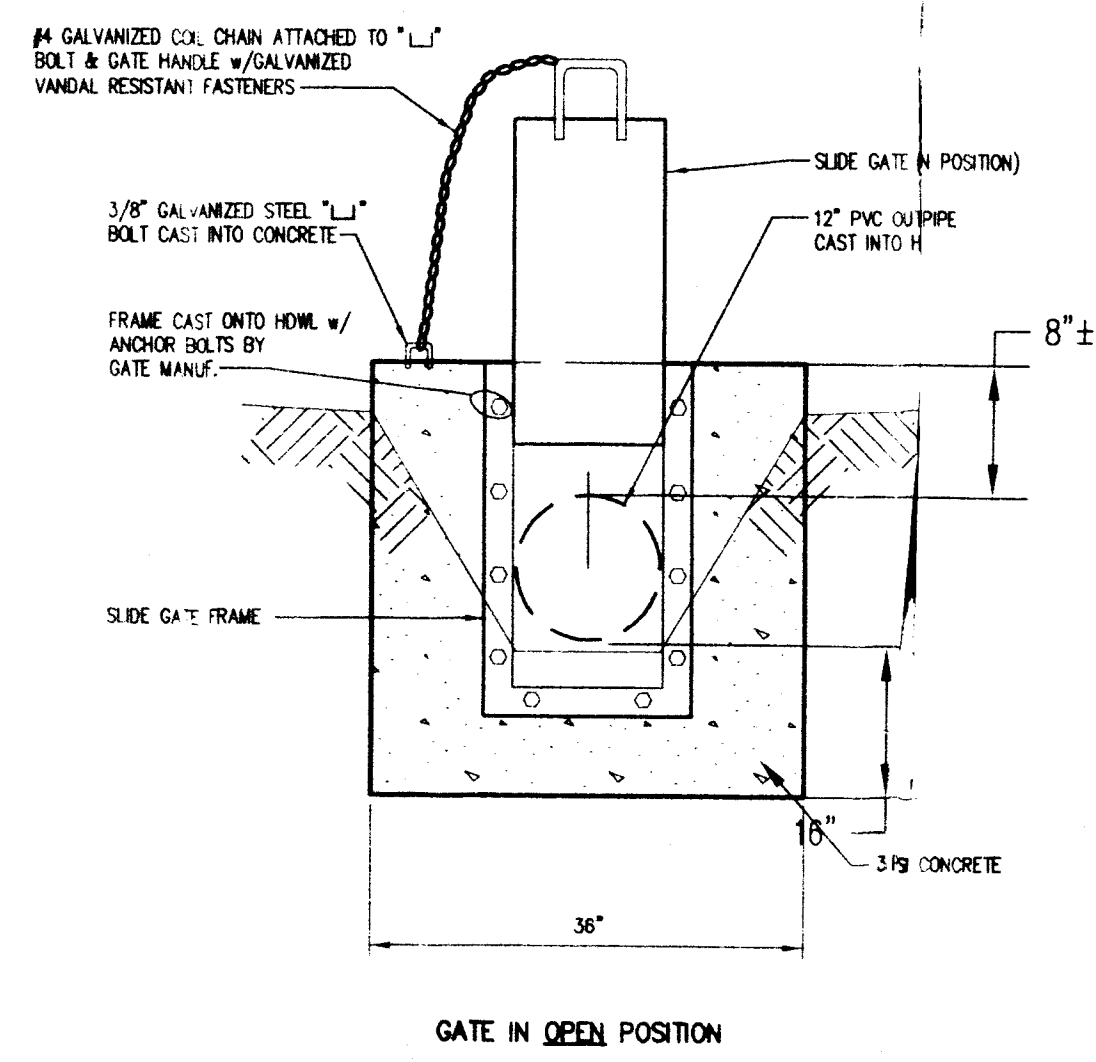
STRUCTURE NUMBER	LOCATION	LEFT	RIGHT	CROSS	STRUCTURE DATA TABLE					
					DESCRIPTION	LENGTH	FLOW LINE	SLOPE	AD = Rim or CI = FG Elev.	
Station					ft	UP STREAM Elev.	DOWN STREAM Elev.	%	'B' BORROW Elev.	
Road #2										
FES# 795	5+25.49		X		18" FES	6	399.88	399.83		
P# 796				X	RCP CL III	72	399.83	399.28	0.76	B
FES# 797	5+27.89	X			18" FES	6	399.28	399.23		
C# 794	6+94.74		X		24" x 36" Box			401.19		B 404.78
P# 793				X	RCP CL III	45	401.19	401.01	0.40	B
C# 792	7+39.91		X		24" x 36" Box			401.01		B 404.62
P# 791				X	RCP CL III	134	400.81	400.20	0.45	
MH# 788	8+73.60	X			48" Manhole			400.20		404.47
FES# 790	8+73.60		X		12" FES	6	403.00	402.55		
P# 789				X	RCP CL III	21	402.55	400.98	7.50	
MH# 788	8+73.60	X			48" Manhole			400.60		404.47
P# 787				X	RCP CL III	71	399.80	399.59	0.30	
MH# 782	9+44.55	X			48" Manhole			399.59		404.46
C# 786	9+44.55	X			24" x 36" Box			400.99		B 403.99
P# 785				X	RCP CL III	27	400.99	400.45	2.00	B
C# 784	9+44.55	X			24" x 36" Box			400.45		B 403.99
P# 783				X	RCP CL III	8	400.45	400.19	3.25	B
MH# 782	9+44.55	X			48" Manhole			400.19		404.46
P# 781				X	RCP CL III	60	399.19	399.01	0.30	
C# 780	10+04.75	X			48" Manhole			399.01		B 405.58
P# 779				X	RCP CL III	45	399.01	398.83	0.40	B
C# 778	10+49.92	X			48" Manhole			398.83		B 406.33
P# 777				X	RCP CL III	134	398.83	398.29	0.40	
MH# 774	11+83.60	X			48" Manhole			398.29		409.95
FES# 776	11+83.60		X		12" FES	6	408.50	408.24		
P# 775				X	RCP CL III	21	408.24	407.35	4.26	
MH# 774	11+83.60	X			48" Manhole			407.35		409.95
P# 773				X	RCP CL III	131	398.29	397.63	0.50	
C# 770	13+14.93	X			48" Manhole			397.63		B 409.01
P# 769				X	RCP CL III	47	397.23	397.04	0.40	B
C# 768	13+61.49	X			48" Manhole			397.04		B 408.76
P# 767				X	RCP CL III	133	397.04	396.51	0.40	
MH# 764	14+93.60	X			48" Manhole			396.51		B 408.53
FES# 766	14+93.60		X		12" FES	6	405.71	405.29		
P# 765				X	RCP CL III	38	405.29	402.63	7.00	
MH# 764	14+93.60	X			60" Manhole			402.63		408.53
P# 731				X	RCP CL III	76	396.25	395.87	0.50	
Road #10										
C# 772	7+00	X			24" x 36" Box			406.77		B 409.77
P# 771				X	RCP CL III	177	406.77	398.83	4.49	B
C# 770	5+21.98	X			48" Manhole			398.83		B 409.01
Road #9										
FES# 763	11+76.5	X			15" FES	6	415.00	414.67		
P# 762				X	RCP CL III	124	414.67	407.85	5.50	
MH# 761	10+40.49	X			30" x 30" Box			407.10		412.10
P# 760				X	RCP CL III	369	407.10	401.53	1.51	
MH# 757	6+71.69	X			30" x 30" Box			401.53		412.10
C# 759	6+71.69	X			24" x 36" Box			403.06		B 406.06
P# 758				X	RCP CL III	9	403.06	402.43	7.00	B
MH# 757	6+71.69	X			30" x 30" Box			402.25		406.53
P# 729				X	RCP CL III	146	401.53	395.55	4.10	

J:\4780\Civil-West\SECTION 2\Drainage-Sec2\SWALE DATA.xls
 * 64' of 140' Precip. Installed as Part of Section 1 Infrastructure



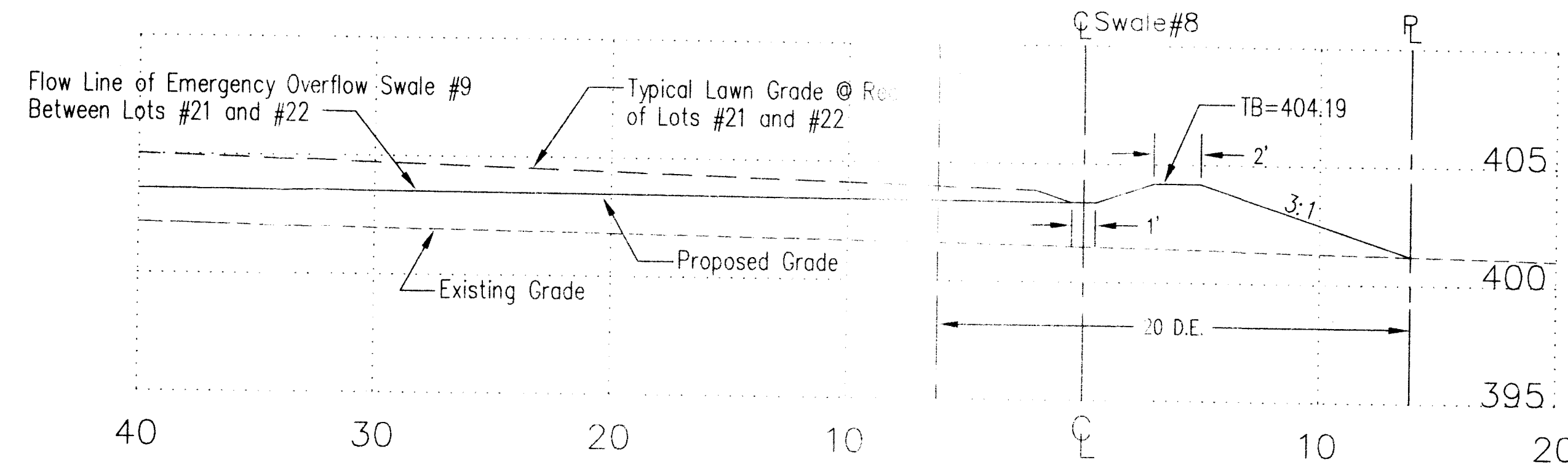
PLAN VIEW

No Scale



SECTION "A-A"

No Sc



Cross Section of Swale #8 Along Common Lot Line 21/22

Scale: 1"=5'

Morley and Associates, Inc.
 Consulting Engineers/Surveyors/Architects
 600 S.E. Sixth Street
 Evansville, Indiana 47713
 (812) 464-9566

Project: Windham Hill Subdivision - Section 2
 Windham Hill LLC
 Sheet Title: Storm Sewer Details and Data Tables
 Scale: None
 Designed By: LAM Job Number: 4780-4J
 Drawn By: MTC Date: 05/15/03
 Checked By: MTC Filename: Structuredata.dwg
 Sheet Number: C-44