

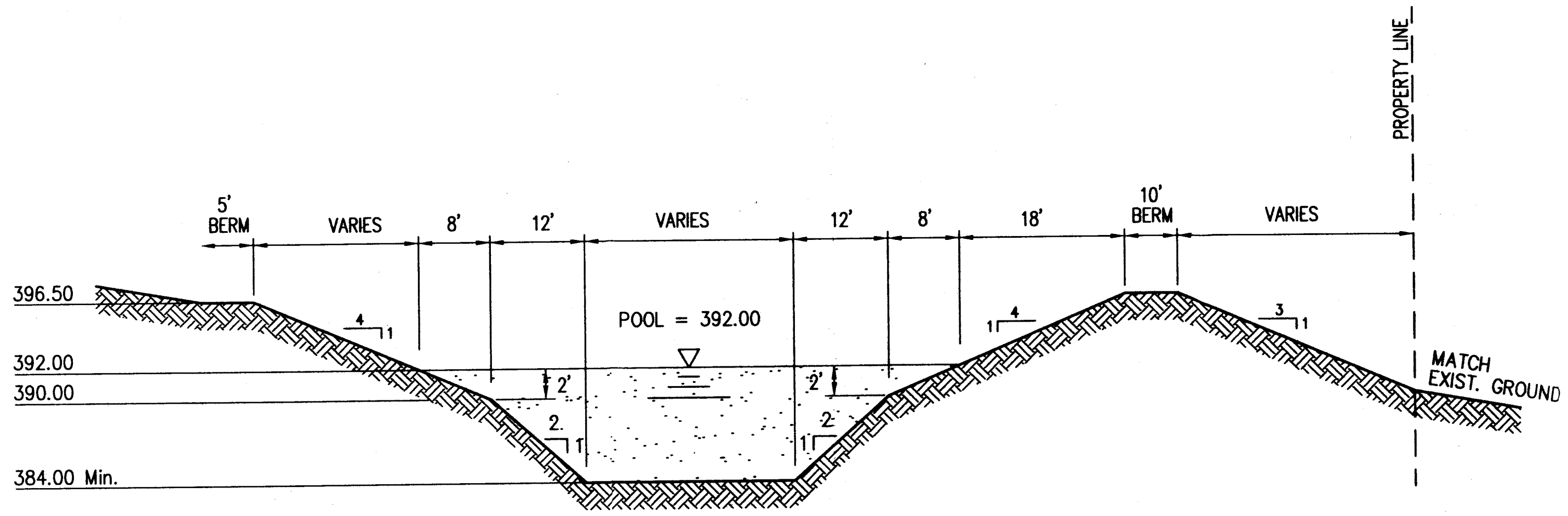
All design, calculations, and arrangements indicated on this drawing are the property of Morley and Associates, Inc. and were created for the use on and in connection with the specified project. No part of this drawing may be reproduced, stored in a retrieval system, or transmitted in any form, or by any means, without the written permission of Morley and Associates, Inc.

No.	By	Date	Description
1	JMK	09/17/01	Rev. Section D-D Armament

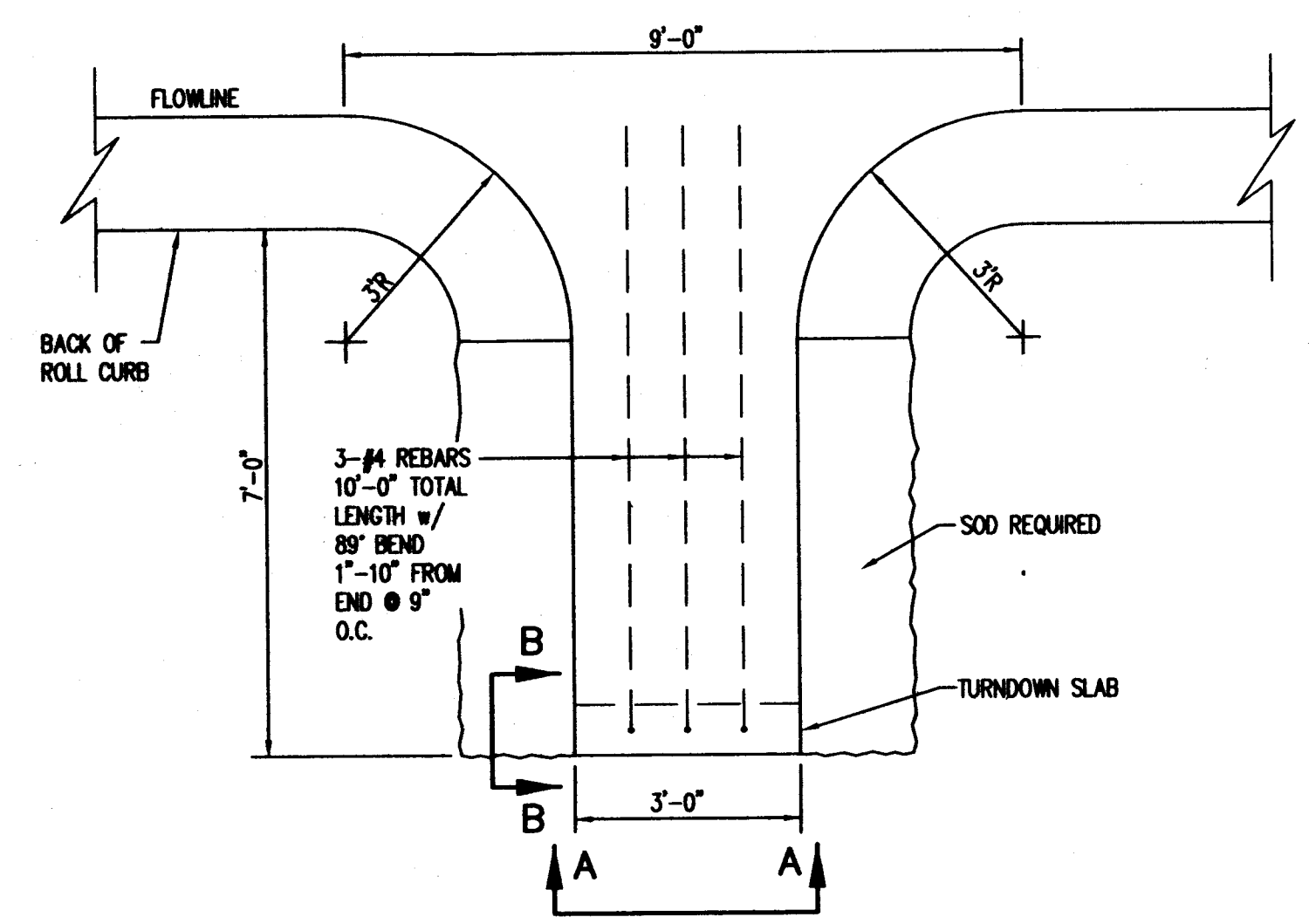


Project: Windham Hill Subdivision - Section 1  
 Windham Hill LLC  
 Sheet Title: Drainage Details

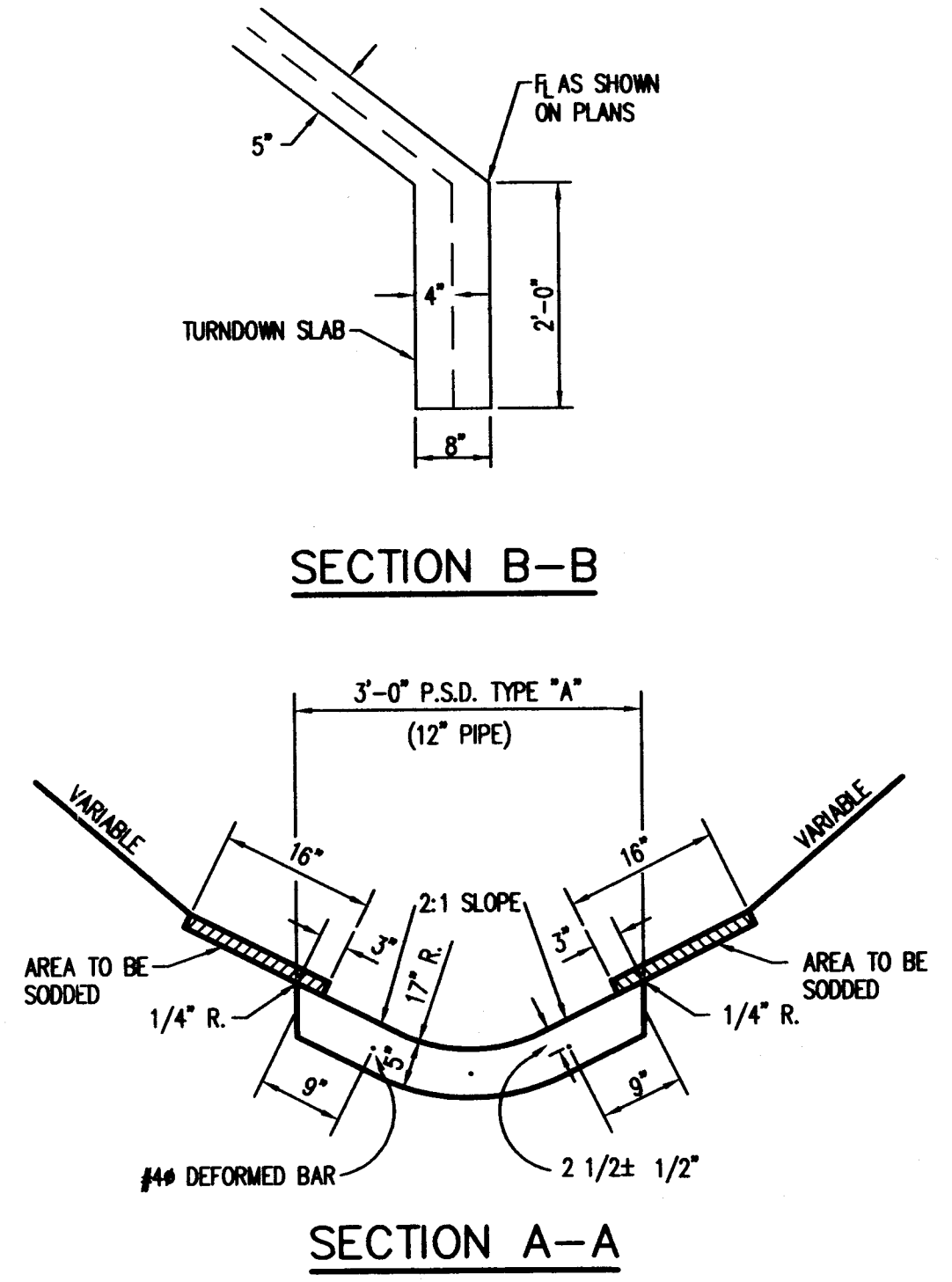
Scale: AS SHOWN
Designed By: JMK
Job Number: 4780-4J
Drawn By: JMK
Date: 03/21/01
Checked By: JMK
Filename: 4780DET.dwg



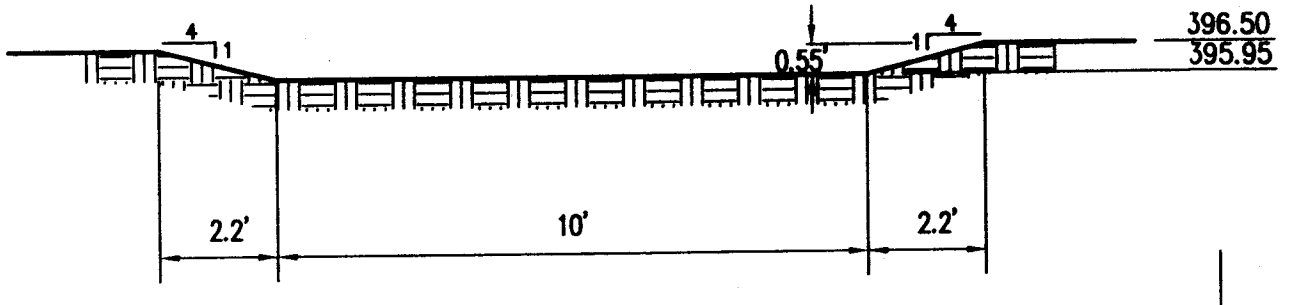
**Drainage Basin Section A-A**  
No Scale



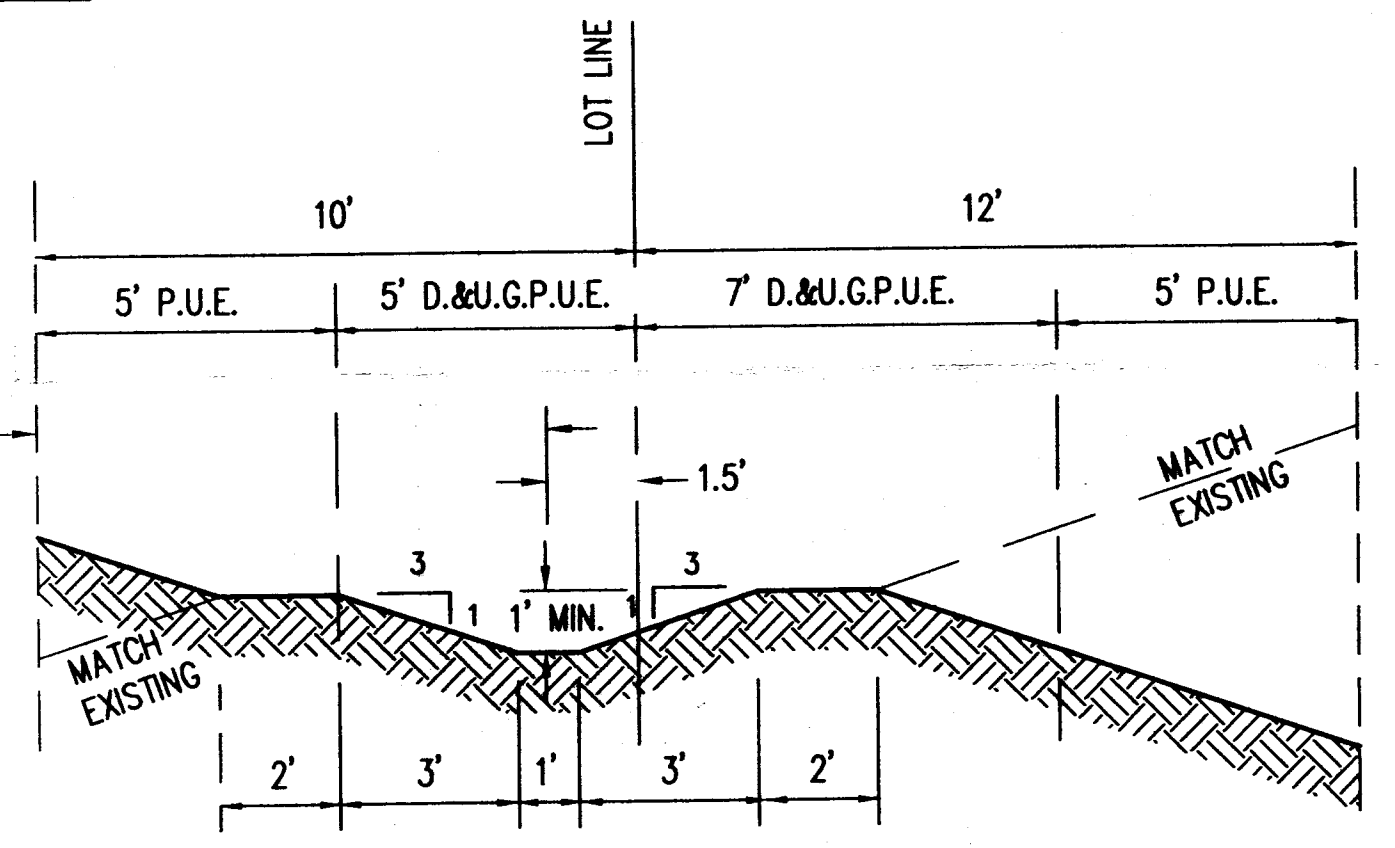
**Roll Curb Turnout**  
No Scale



**SECTION B-B**  
**SECTION A-A**

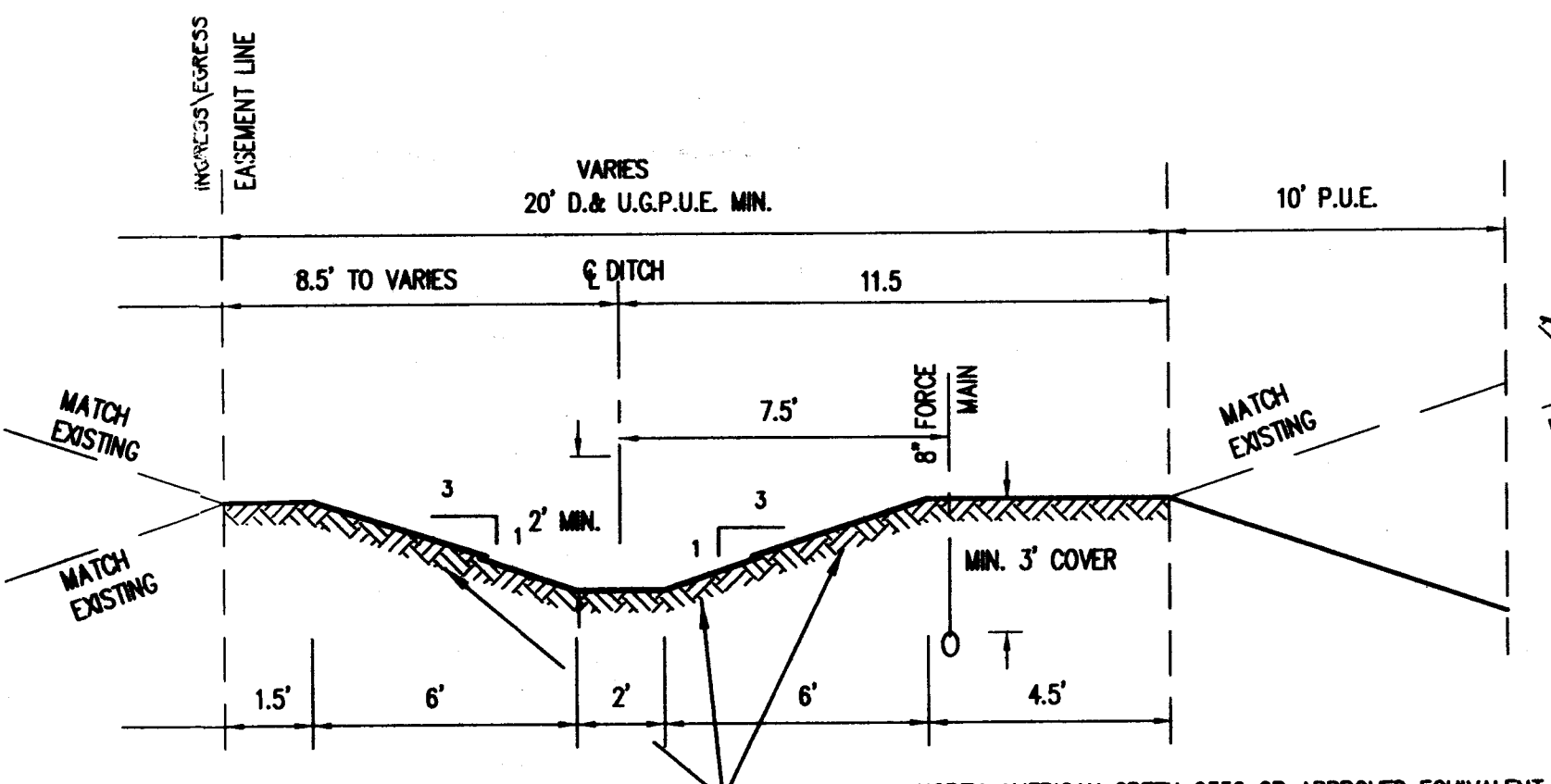


**Drainage Basin Emergency Spillway**  
No Scale



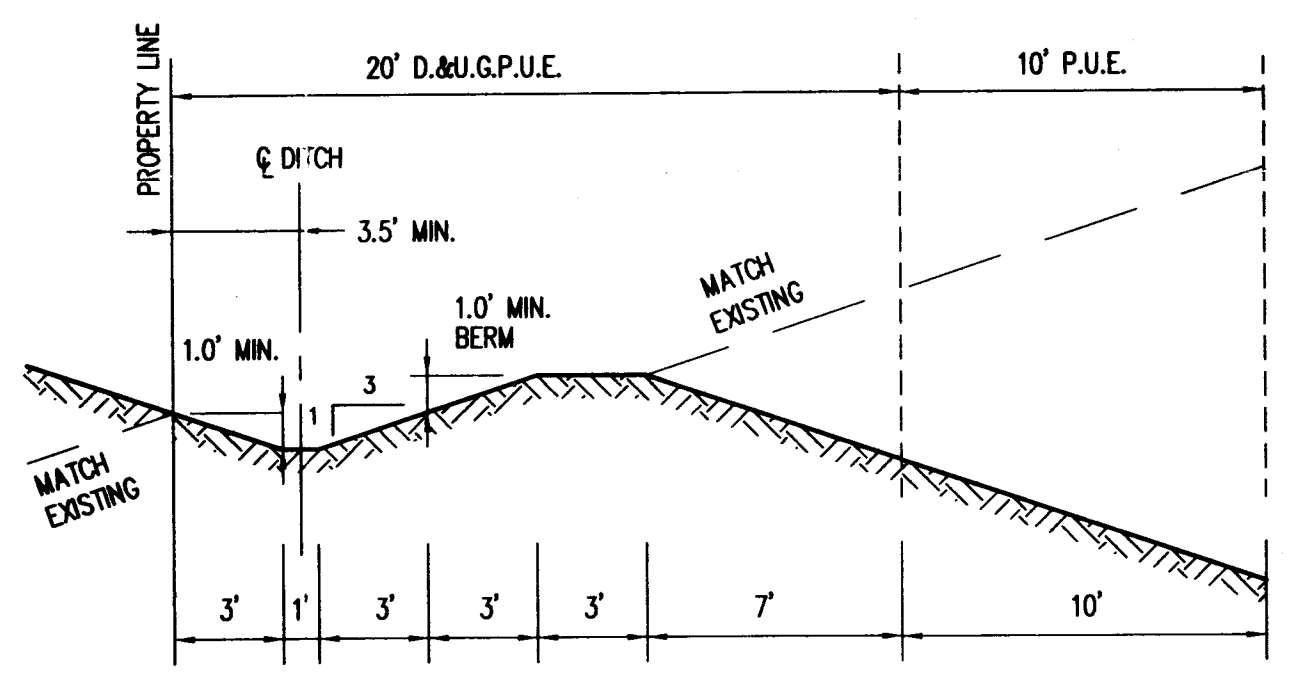
**Section C-C Drainage Swale**  
No Scale

- NOTE:
1. SOD REQUIRED IF LONGITUDINAL SLOPE IS 4% OR GREATER.
  2. 16"x8" CONCRETE RIBBON REQUIRED IF LONGITUDINAL SLOPE IS LESS THAN 0.8%.
  3. RIP-RAP OR EROSION CONTROL BLANKET REQUIRED ON SIDE SLOPES GREATER THAN 3:1. REFER TO EROSION/SEDIMENT CONTROL PLAN.



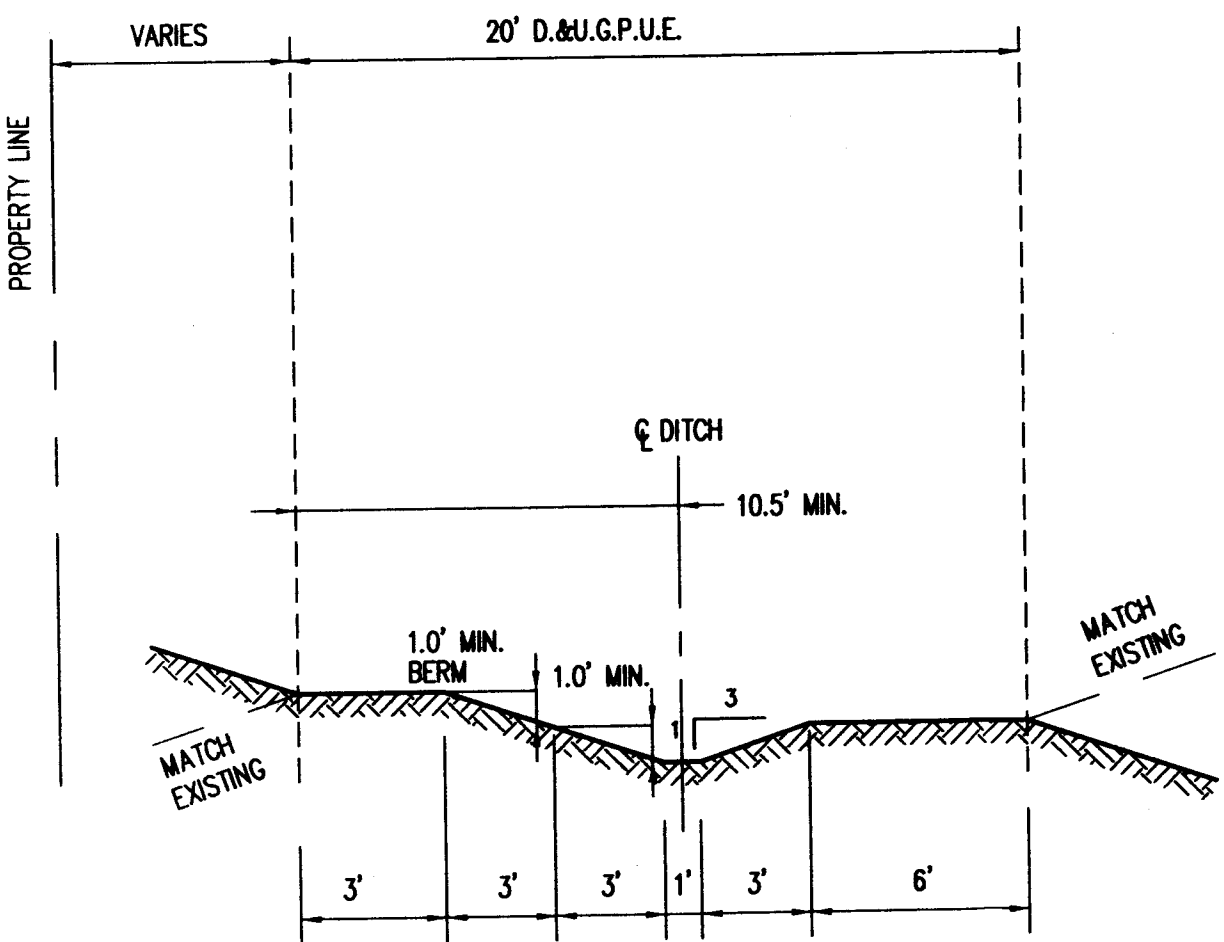
**Section D-D Drainage Swale**  
No Scale

NORTH AMERICAN GREEN C350 OR APPROVED EQUIVALENT AND NORTH AMERICAN GREEN SC150 OR APPROVED EQUIVALENT INSTALLED IN STRICT ACCORDANCE WITH MANUFACTURERS RECOMMENDATIONS FOR A HIGH FLOW CHANNEL.



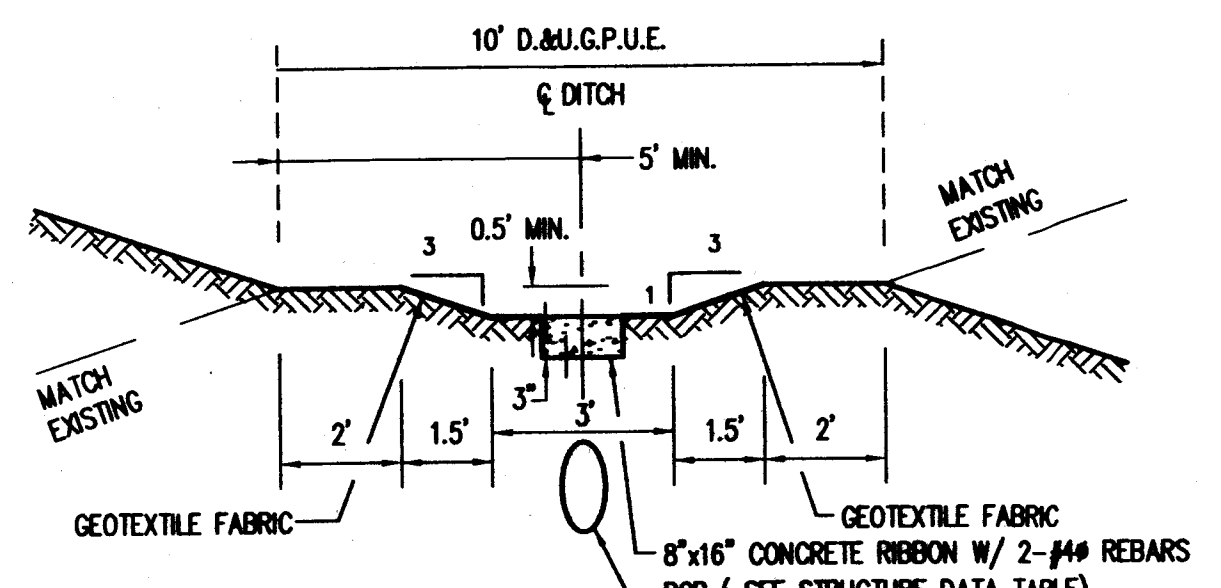
**Section E-E Drainage Swale**  
No Scale

- NOTE:
1. SOD REQUIRED IF LONGITUDINAL SLOPE IS 4% OR GREATER.
  2. 16"x8" CONCRETE RIBBON REQUIRED IF LONGITUDINAL SLOPE IS LESS THAN 0.8% TOOLED JOINT REQUIRED EVERY 20 FEET
  3. RIP-RAP OR EROSION CONTROL BLANKET REQUIRED ON SIDE SLOPES GREATER THAN 3:1. REFER TO EROSION/SEDIMENT CONTROL PLAN



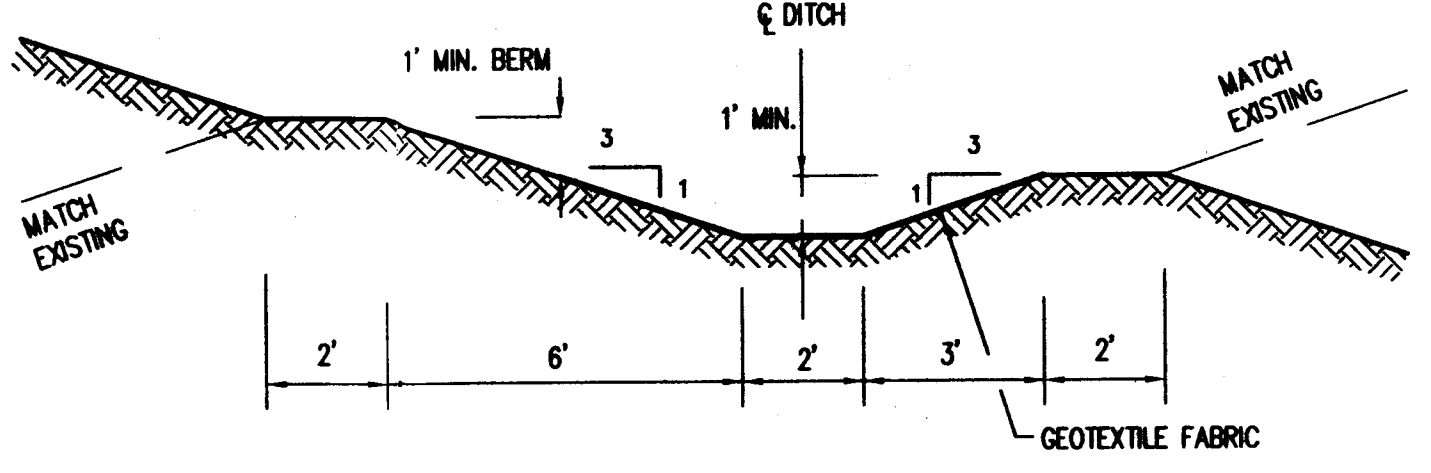
**Section B-B Drainage Swale**  
No Scale

- NOTE:
1. SOD REQUIRED IF LONGITUDINAL SLOPE IS 4% OR GREATER.
  2. 16"x8" CONCRETE RIBBON REQUIRED IF LONGITUDINAL SLOPE IS LESS THAN 0.8% TOOLED JOINT REQUIRED EVERY 20 FEET
  3. RIP-RAP OR EROSION CONTROL BLANKET REQUIRED ON SIDE SLOPES GREATER THAN 3:1. REFER TO EROSION/SEDIMENT CONTROL PLAN



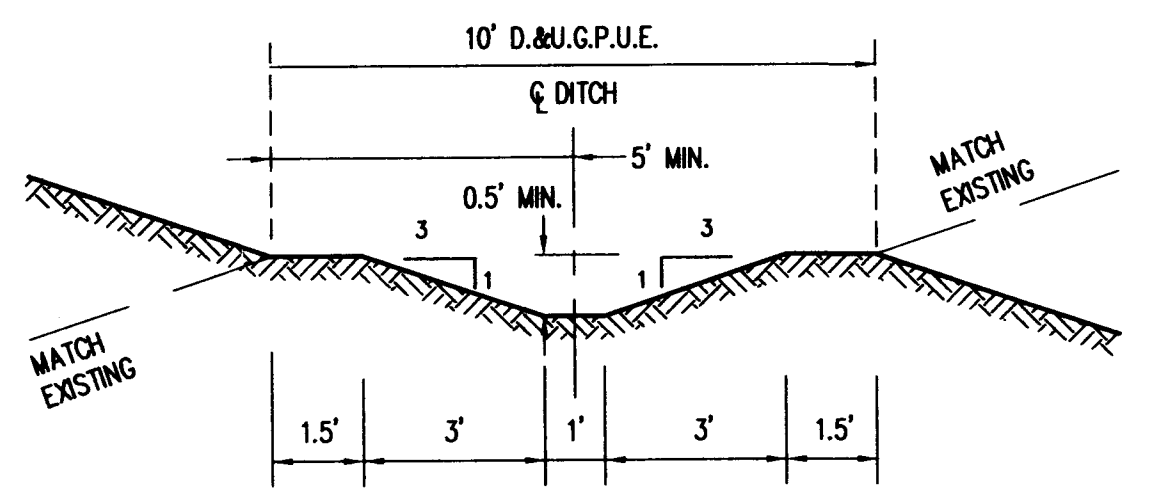
**Dropped Curb/Sidewalk Section F-F Drainage Swale**  
No Scale

- NOTE:
1. INSTALL EROSION CONTROL BLANKET C350 MANUFACTURED BY NORTH AMERICAN GREEN & INSTALL IN STRICT ACCORDANCE WITH MANUFACTURER RECOMMENDATIONS.



**Temporary Diversion Swale Section G-G Drainage Swale**  
No Scale

- NOTE:
1. INSTALL EROSION CONTROL BLANKET C350 MANUFACTURED BY NORTH AMERICAN GREEN & INSTALL IN STRICT ACCORDANCE WITH MANUFACTURER RECOMMENDATIONS.



**Section H-H Drainage Swale**  
No Scale

- NOTE:
1. SOD REQUIRED IF LONGITUDINAL SLOPE IS 4% OR GREATER.
  2. 16"x8" CONCRETE RIBBON REQUIRED IF LONGITUDINAL SLOPE IS LESS THAN 0.8% TOOLED JOINT REQUIRED EVERY 20 FEET
  3. RIP-RAP OR EROSION CONTROL BLANKET REQUIRED ON SIDE SLOPES GREATER THAN 3:1. REFER TO EROSION/SEDIMENT CONTROL PLAN