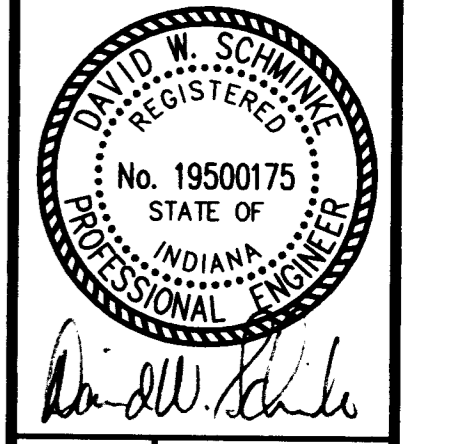


All ideas, designs, calculations, and arrangements indicated or represented by this drawing are owned by and the property of Morley and Associates, Inc. No part of this drawing may be reproduced, stored in a retrieval system, or transmitted in any form or by any means, electronic, mechanical, photocopying, recording, or by any information storage and retrieval system, without the written permission of Morley and Associates, Inc. Written dimensions on these drawings shall have precedence over all other dimensions and conditions on the job and Morley and Associates, Inc. must be notified of any variations from the dimensions and conditions shown by these drawings.

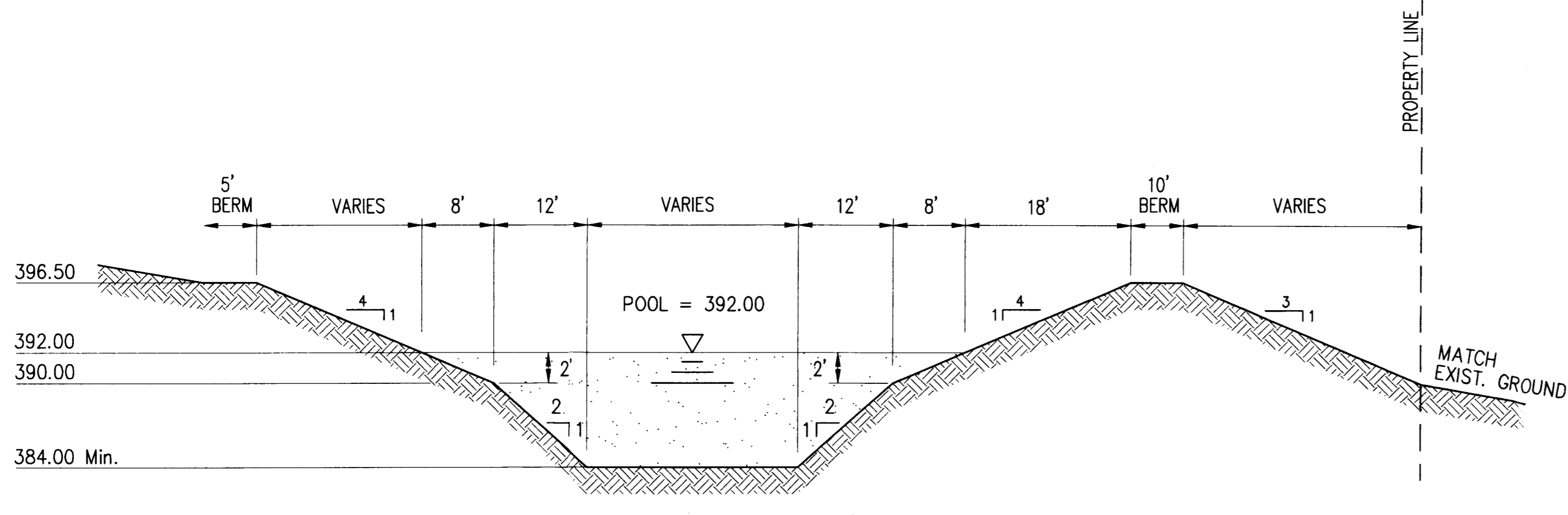
No.	By	Date	Description



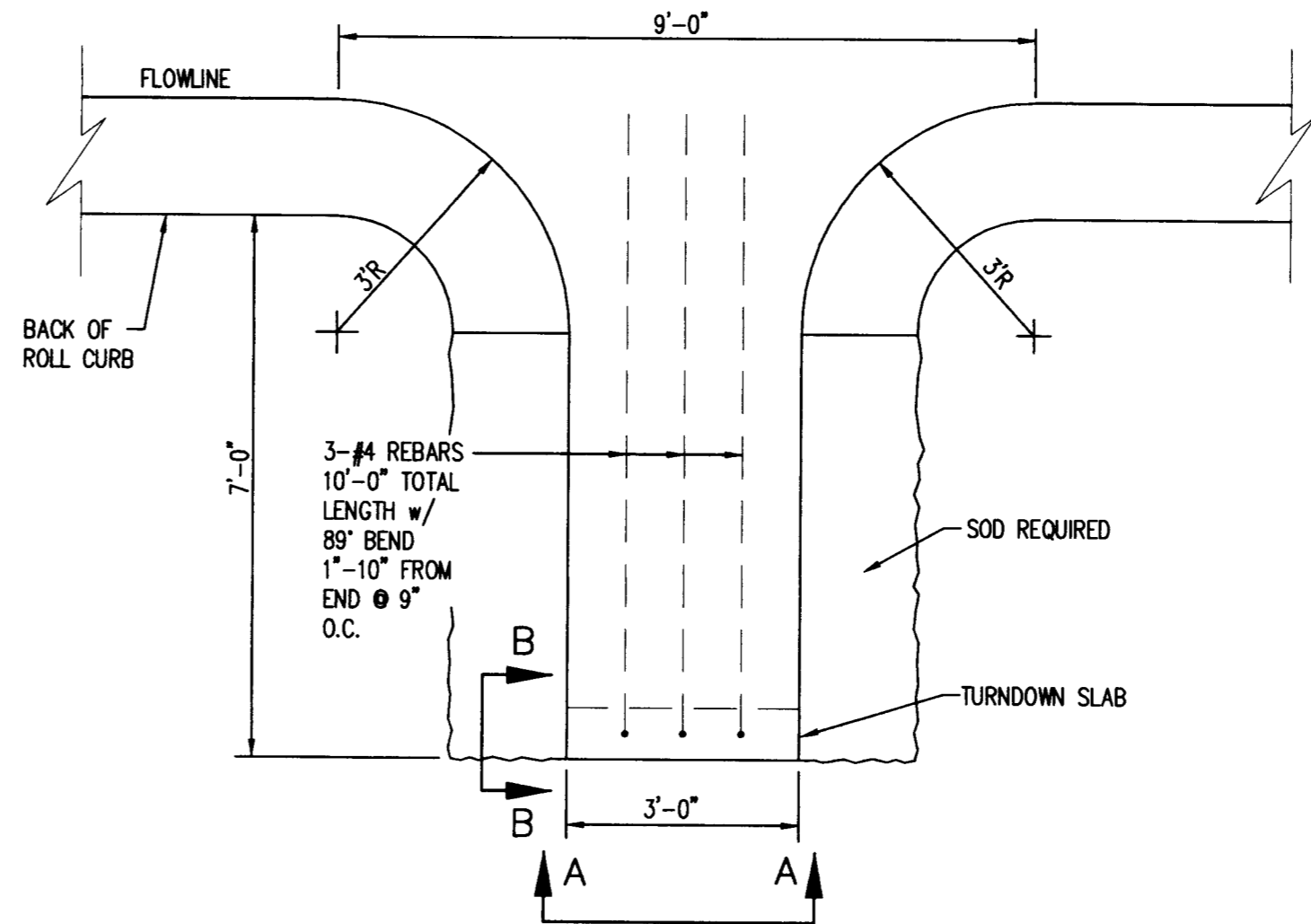
Project: Windham Hill Subdivision - Section 1
 Green River Road & Kansas Road
 Sheet Title: Drainage Details

Scale: AS SHOWN	
Designed By: JMK	Job Number: 4780-4J
Drawn By: JMK	Date: 03/12/01
Checked By: JMK	Filename: 4780DET.dwg
Sheet Number: C-04	

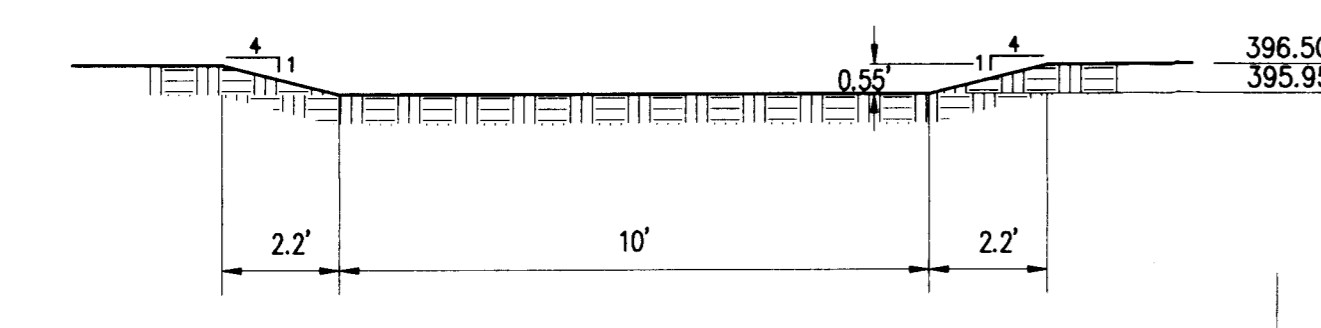
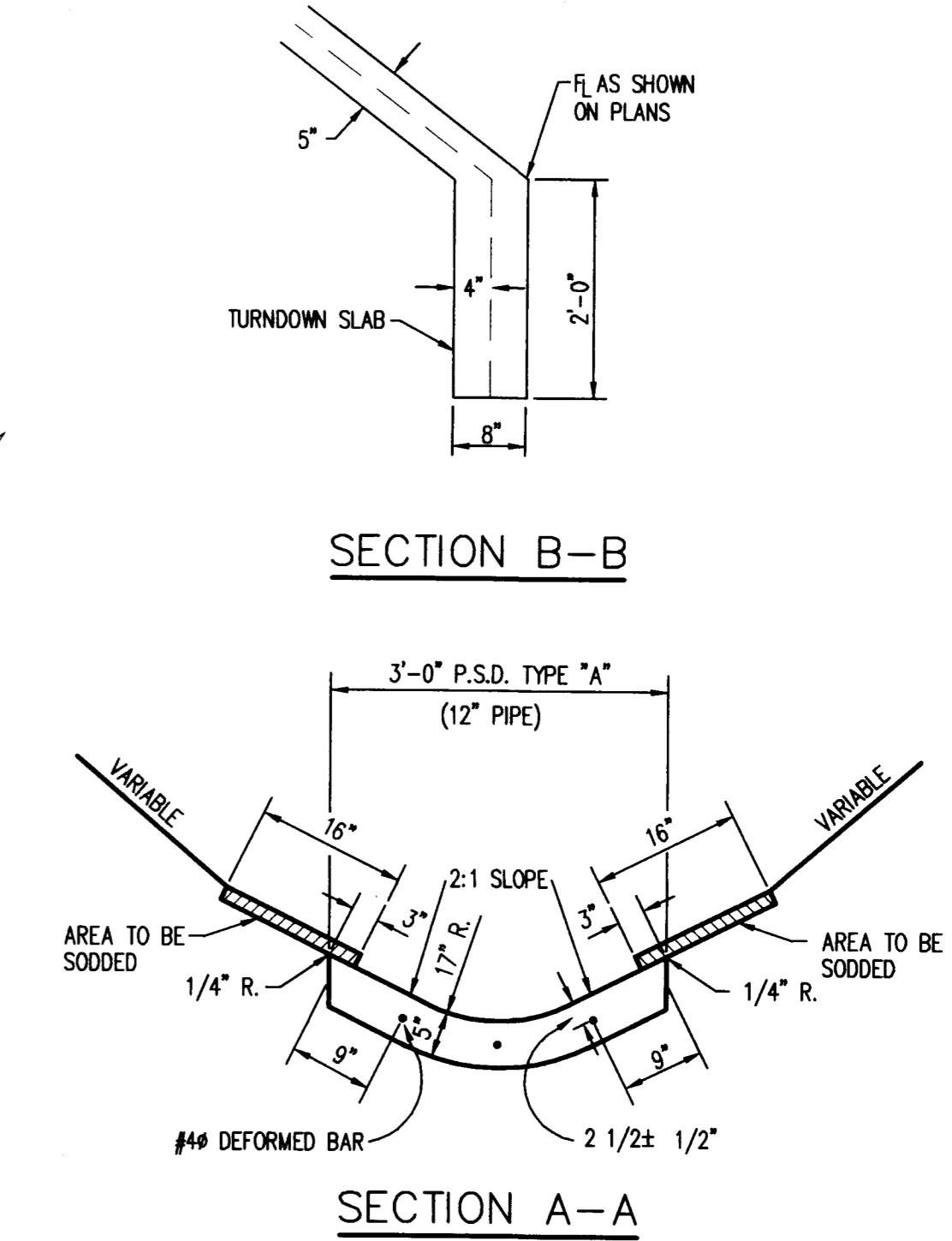
MAR 13 2001



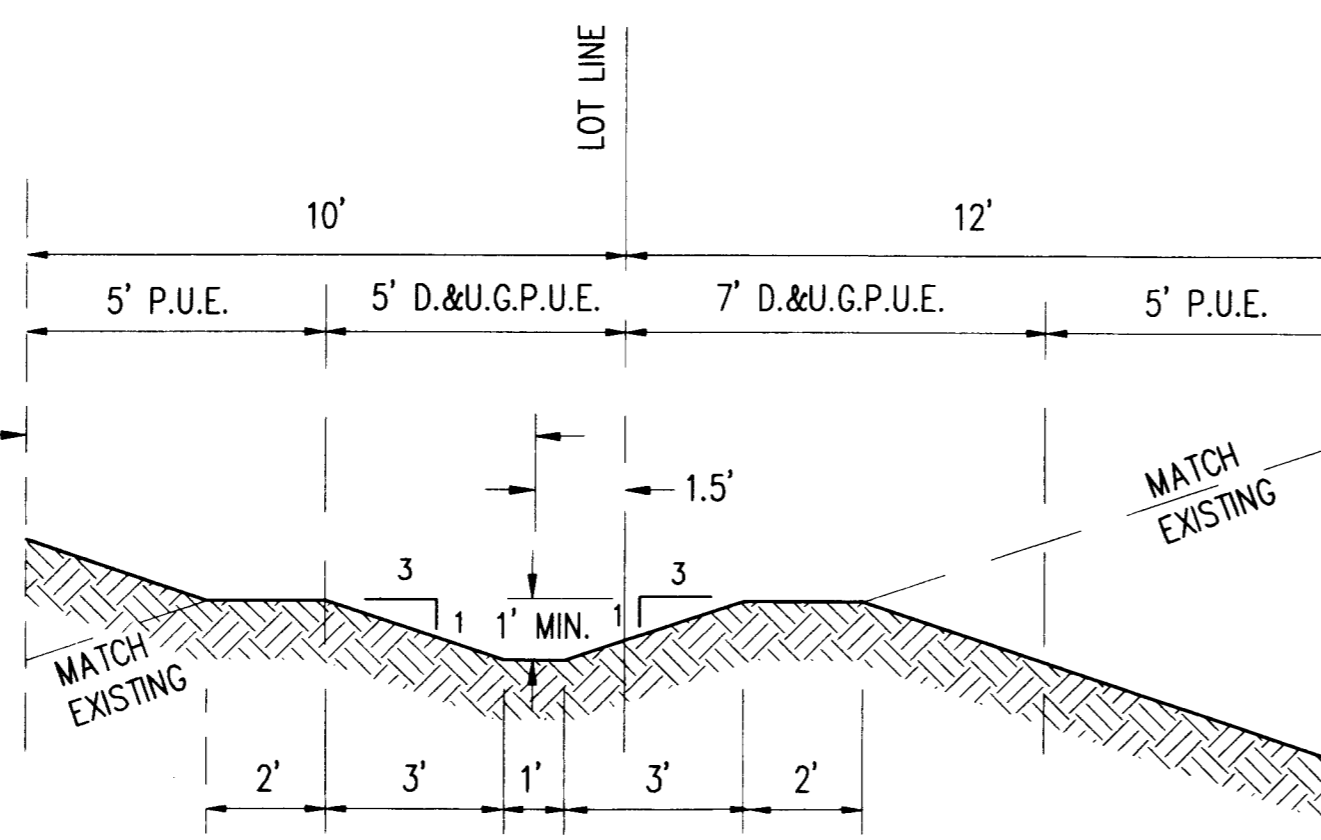
Drainage Basin Section A-A
No Scale



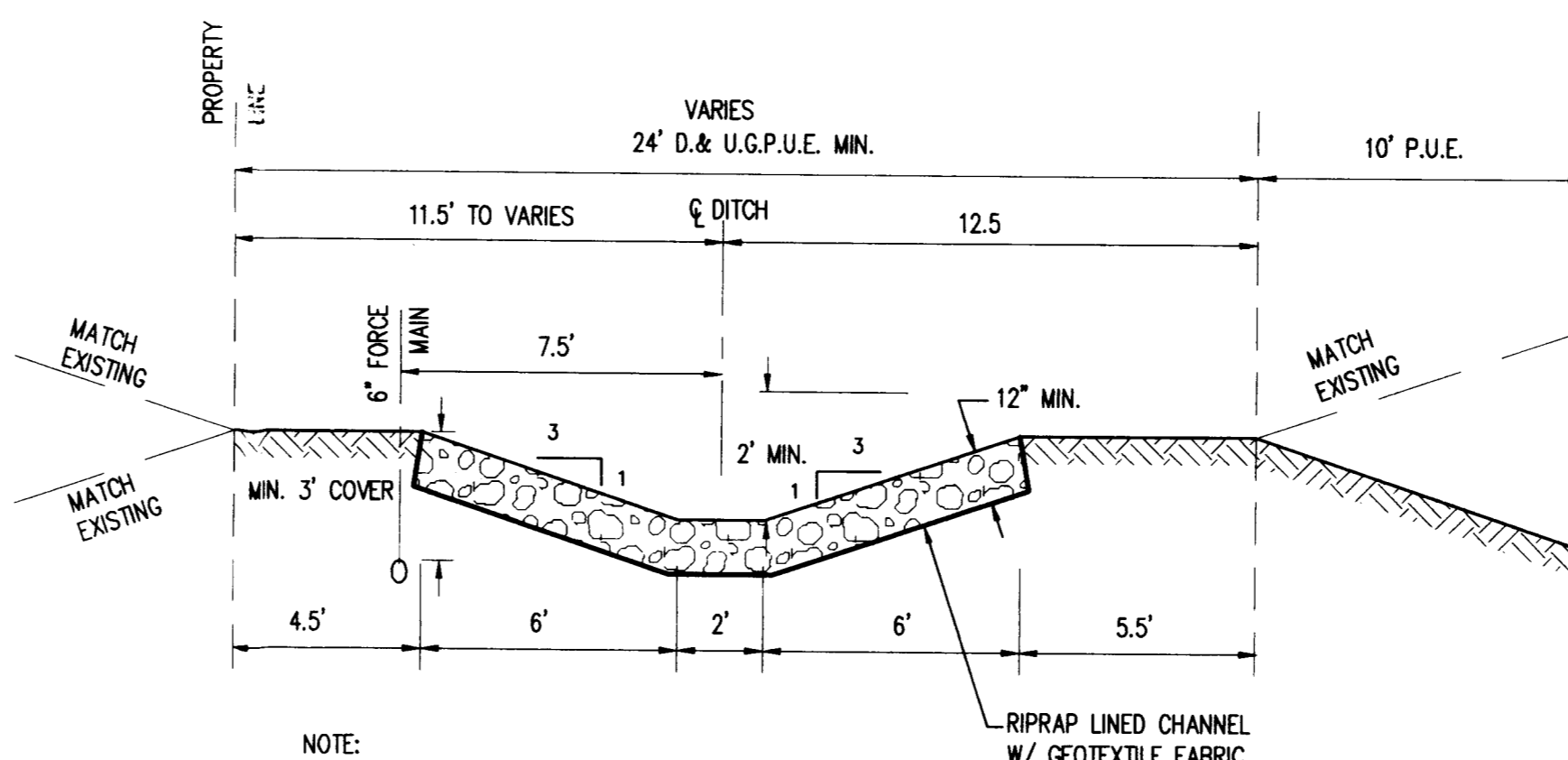
Roll Curb Turnout
No Scale



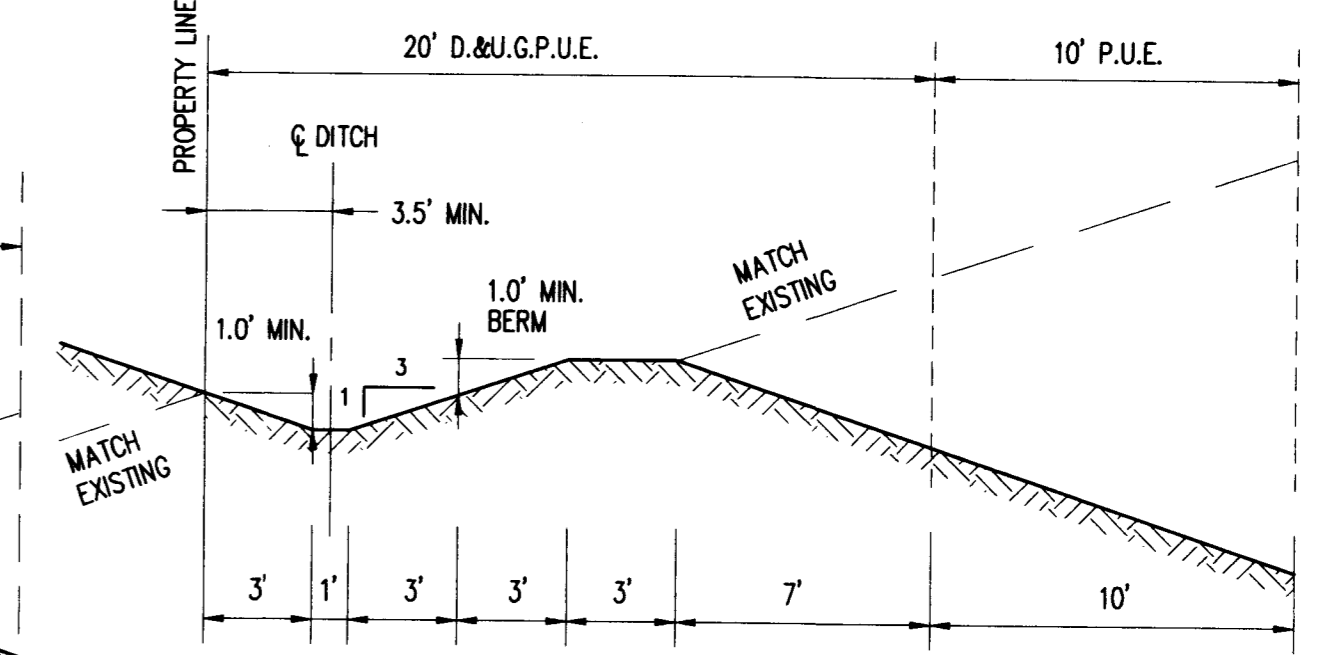
Drainage Basin Emergency Spillway
No Scale



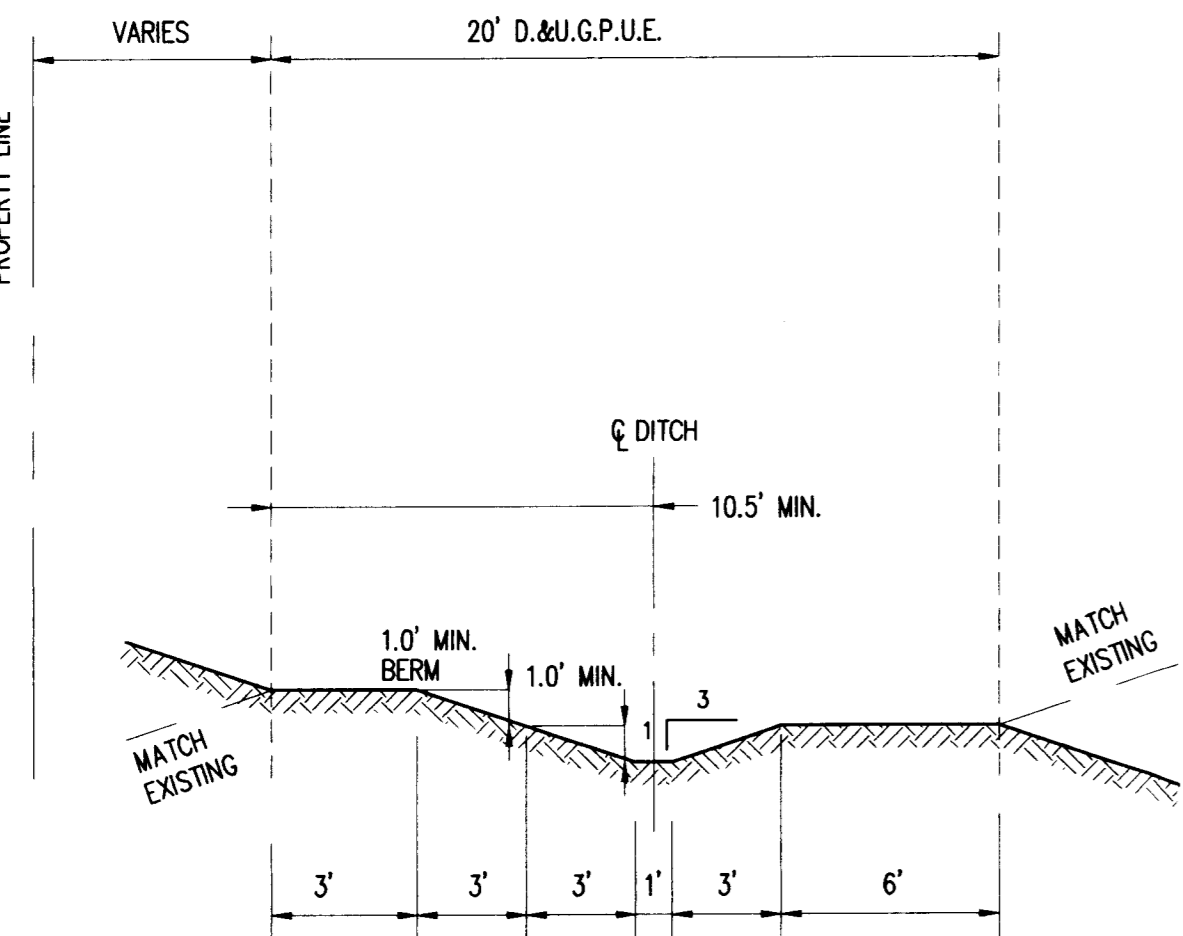
Section C-C Drainage Swale
No Scale



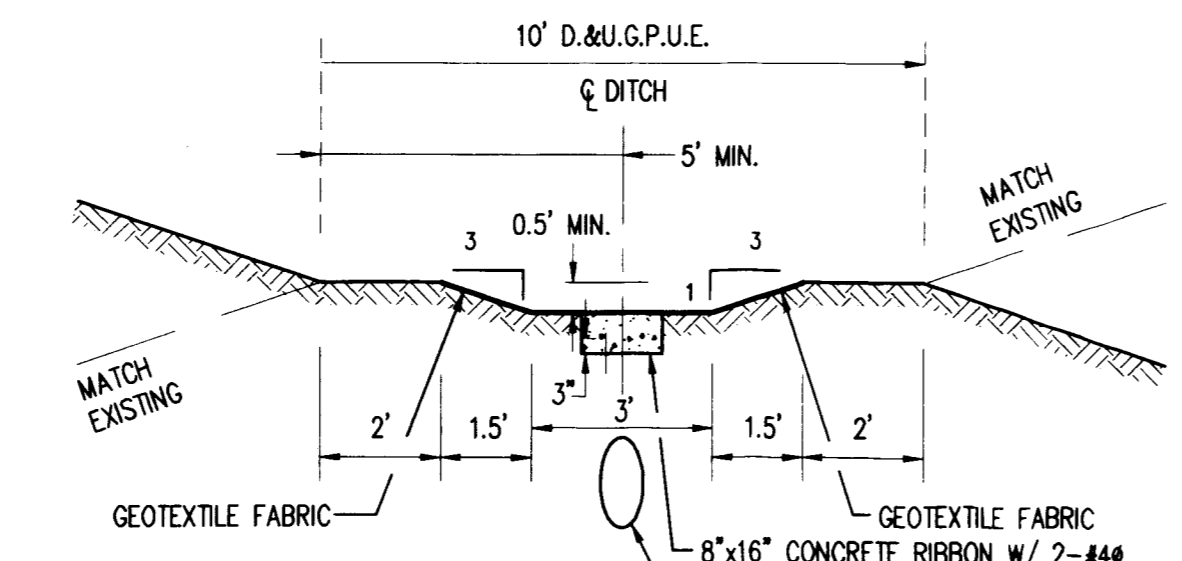
Section D-D Drainage Swale
No Scale



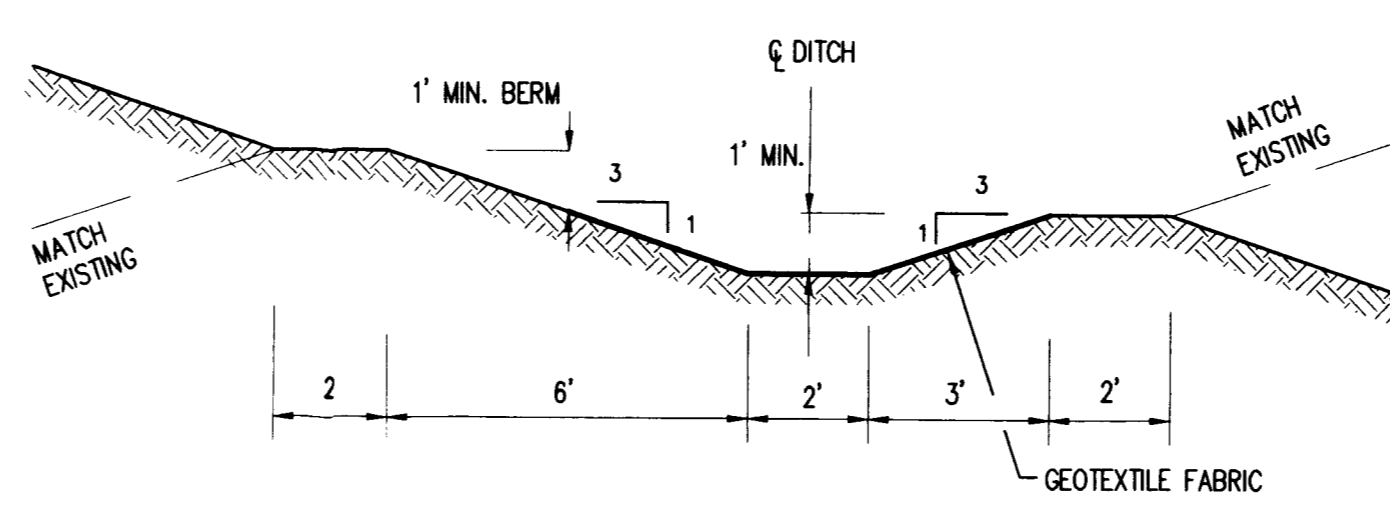
Section E-E Drainage Swale
No Scale



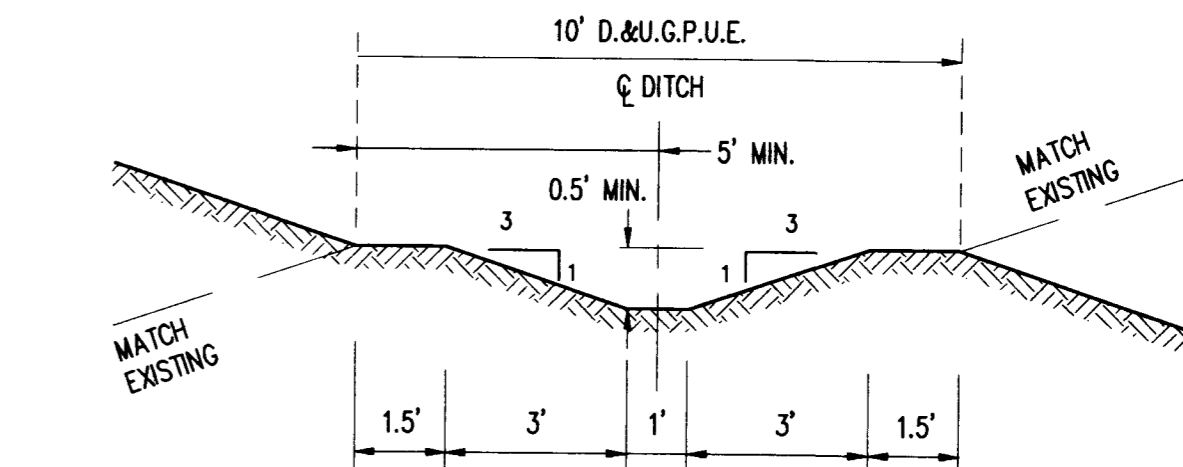
Section B-B Drainage Swale
No Scale



Dropped Curb/Sidewalk Section F-F Drainage Swale
No Scale



Temporary Diversion Swale Section G-G Drainage Swale
No Scale



Section H-H Drainage Swale
No Scale

- NOTE:
- SOD REQUIRED IF LONGITUDINAL SLOPE IS 4% OR GREATER.
 - 16"x8" CONCRETE RIBBON REQUIRED IF LONGITUDINAL SLOPE IS LESS THAN 0.8%. TOOLED JOINT REQUIRED EVERY 20 FEET.
 - RIP-RAP OR EROSION CONTROL BLANKET REQUIRED ON SIDE SLOPES GREATER THAN 3:1. REFER TO EROSION/SEDIMENT CONTROL PLAN.

- NOTE:
- INSTALL EROSION CONTROL BLANKET C350 MANUFACTURED BY NORTH AMERICAN GREEN & INSTALL IN STRICT ACCORDANCE WITH MANUFACTURER RECOMMENDATIONS.

- NOTE:
- SOD REQUIRED IF LONGITUDINAL SLOPE IS 4% OR GREATER.
 - 16"x8" CONCRETE RIBBON REQUIRED IF LONGITUDINAL SLOPE IS LESS THAN 0.8%. TOOLED JOINT REQUIRED EVERY 20 FEET.
 - RIP-RAP OR EROSION CONTROL BLANKET REQUIRED ON SIDE SLOPES GREATER THAN 3:1. REFER TO EROSION/SEDIMENT CONTROL PLAN.

- NOTE:
- SOD REQUIRED IF LONGITUDINAL SLOPE IS 4% OR GREATER.
 - 16"x8" CONCRETE RIBBON REQUIRED IF LONGITUDINAL SLOPE IS LESS THAN 0.8%. TOOLED JOINT REQUIRED EVERY 20 FEET.
 - RIP-RAP OR EROSION CONTROL BLANKET REQUIRED ON SIDE SLOPES GREATER THAN 3:1. REFER TO EROSION/SEDIMENT CONTROL PLAN.

- NOTE:
- INSTALL EROSION CONTROL BLANKET C350 MANUFACTURED BY NORTH AMERICAN GREEN & INSTALL IN STRICT ACCORDANCE WITH MANUFACTURER RECOMMENDATIONS.

- NOTE:
- INSTALL EROSION CONTROL BLANKET C350 MANUFACTURED BY NORTH AMERICAN GREEN & INSTALL IN STRICT ACCORDANCE WITH MANUFACTURER RECOMMENDATIONS.

- NOTE:
- SOD REQUIRED IF LONGITUDINAL SLOPE IS 4% OR GREATER.
 - 16"x8" CONCRETE RIBBON REQUIRED IF LONGITUDINAL SLOPE IS LESS THAN 0.8%. TOOLED JOINT REQUIRED EVERY 20 FEET.
 - RIP-RAP OR EROSION CONTROL BLANKET REQUIRED ON SIDE SLOPES GREATER THAN 3:1. REFER TO EROSION/SEDIMENT CONTROL PLAN.