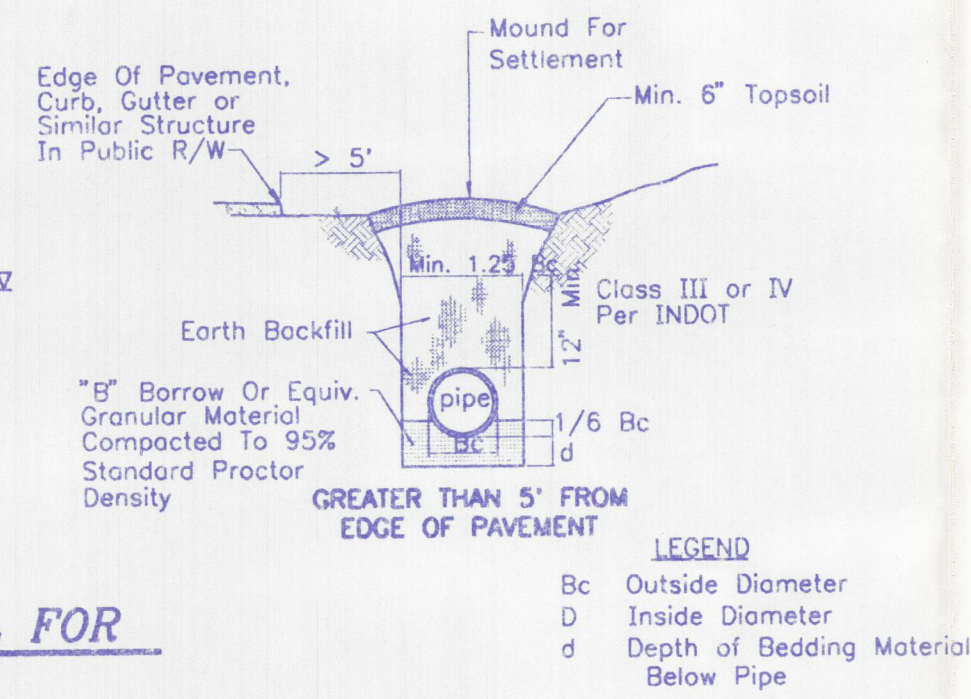


**STORM SEWER TRENCH/PIPE BEDDING DETAIL FOR REINFORCED CONCRETE PIPE (RCP)**

NOT TO SCALE

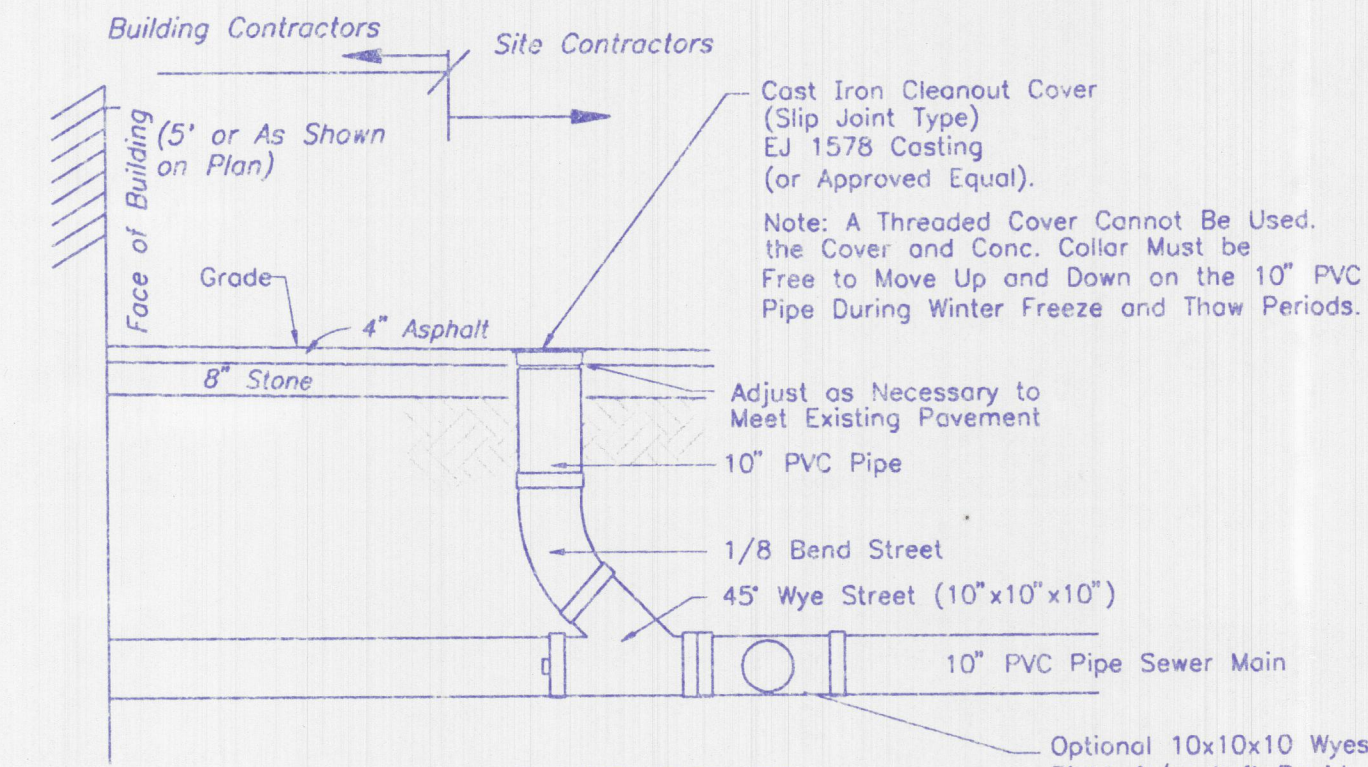
All Bedding & Initial Shall be Installed in 6" To 12" Balanced Lifts. A Minimum 9" Of Clearance Shall Be Provided On Each Side Of Installed Pipe



**LEGEND**

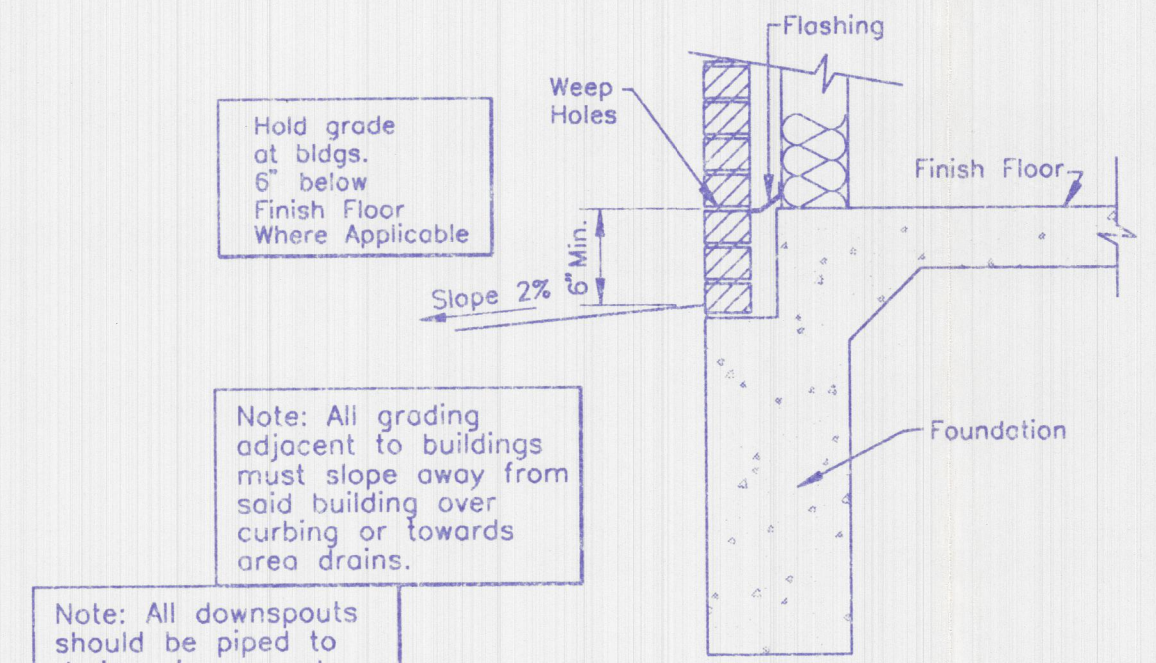
Bc Outside Diameter  
D Inside Diameter  
d Depth of Bedding Material Below Pipe

Depth of Bedding Material Below Pipe	
D	d
27" & Smaller	3"
30" to 60"	4"
66" & Larger	6"



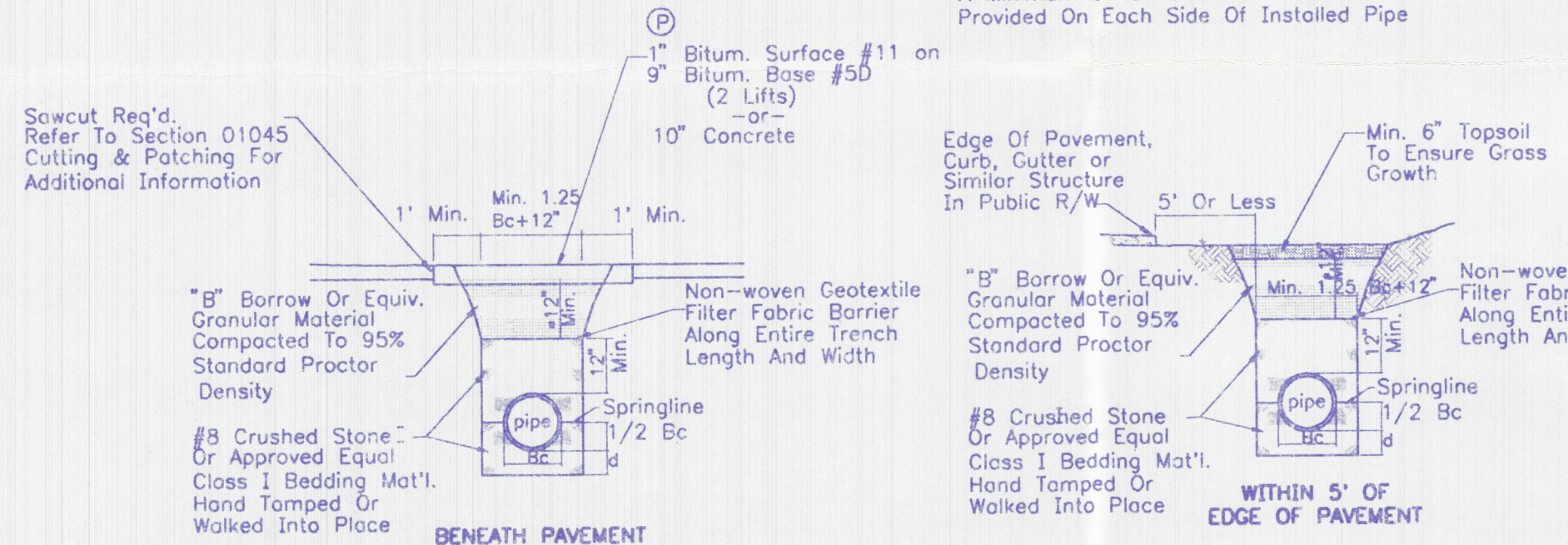
**ROOF DRAIN 10" SITE CLEANOUT DETAIL (PAVED AREA)**

NOT TO SCALE



**BUILDING GRADE DETAIL**

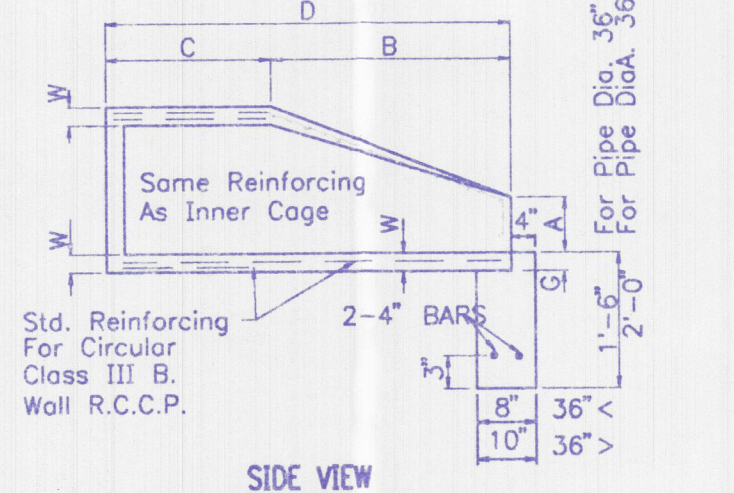
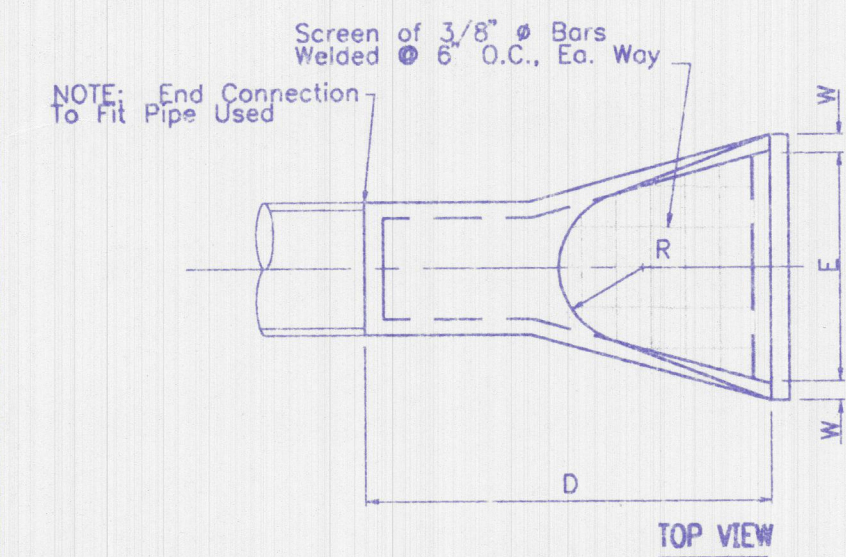
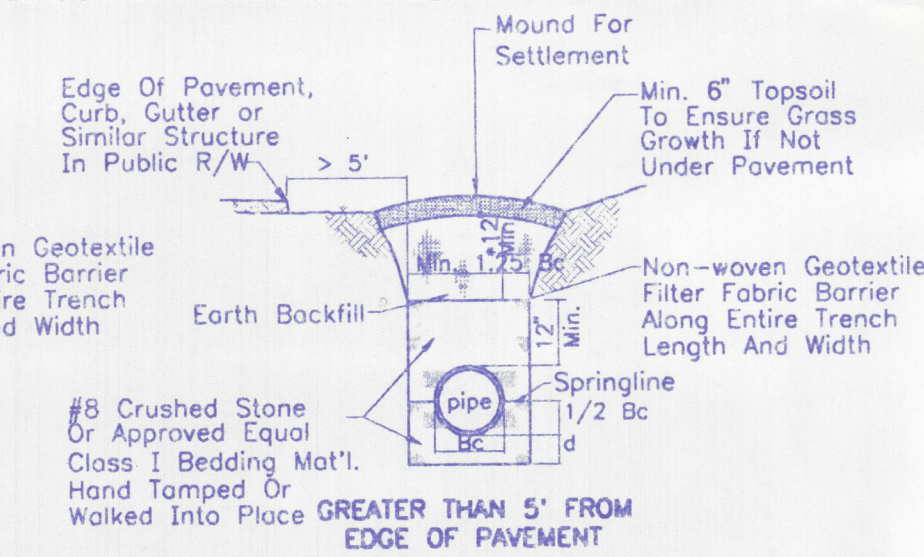
Scale 1"=1'-0"



**STORM SEWER TRENCH/PIPE BEDDING DETAIL FOR PLASTIC PIPE (PVC & HDPE)**

NOT TO SCALE

• or per Manufacturer's Specifications

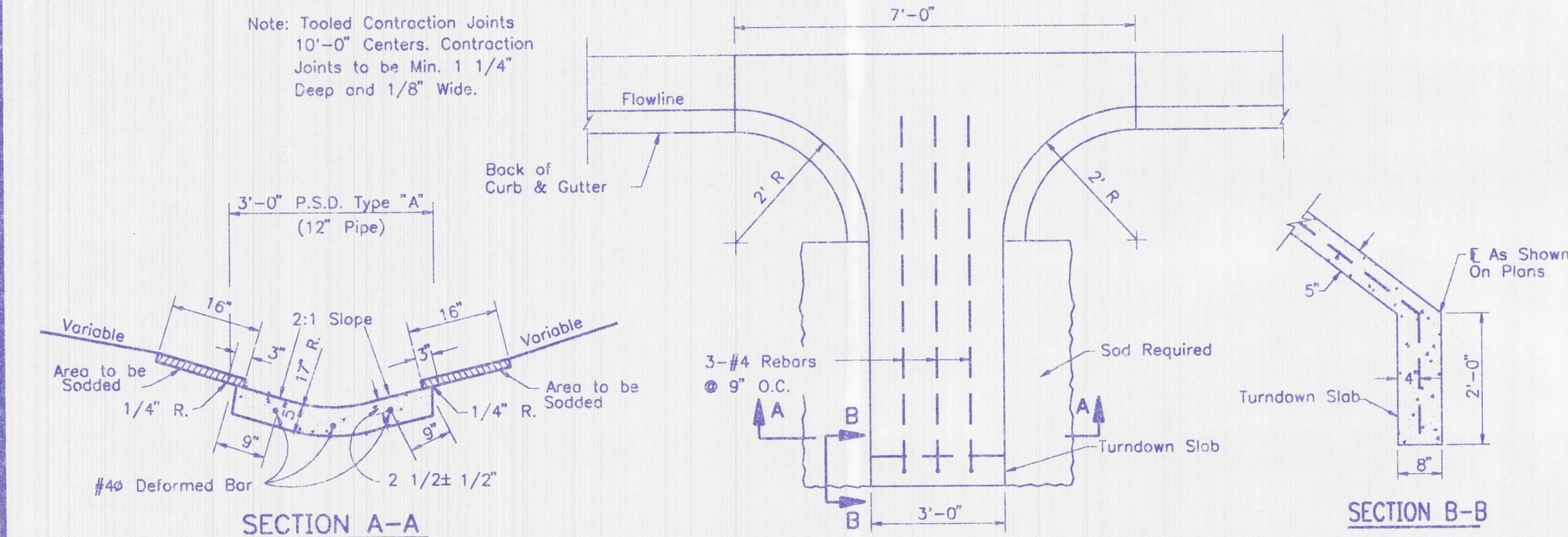


**DIMENSIONS**

DIA.	WGT. (LBS)	WALL	A	B	C	D	E	G	R	SLOPE
12"	530	2"	5"	11'-10"	4'-3"	6'-1"	2'-0"	2"	9"	2:1
15"	740	2-1/4"	7"	2'-3"	4'-0"	6'-3"	2'-0"	2 1/2"	11"	2:1
18"	990	2-1/2"	11"	2'-11"	4'-11"	6'-2"	3'-0"	2 1/2"	12"	2:1
21"	1280	2-3/4"	11"	2'-9"	5'-6"	6'-3"	3'-0"	2 3/4"	13"	2:1
24"	1520	3"	12"	3'-7"	2'-8"	6'-3"	4'-0"	3"	14"	2:1
30"	2190	3-1/2"	11'-2"	4'-6"	1'-6"	6'-0"	5'-0"	3 1/2"	15"	3:1
36"	4100	4"	1'-3"	5'-2"	2'-9"	8'-1"	6'-0"	4"	20"	3:1

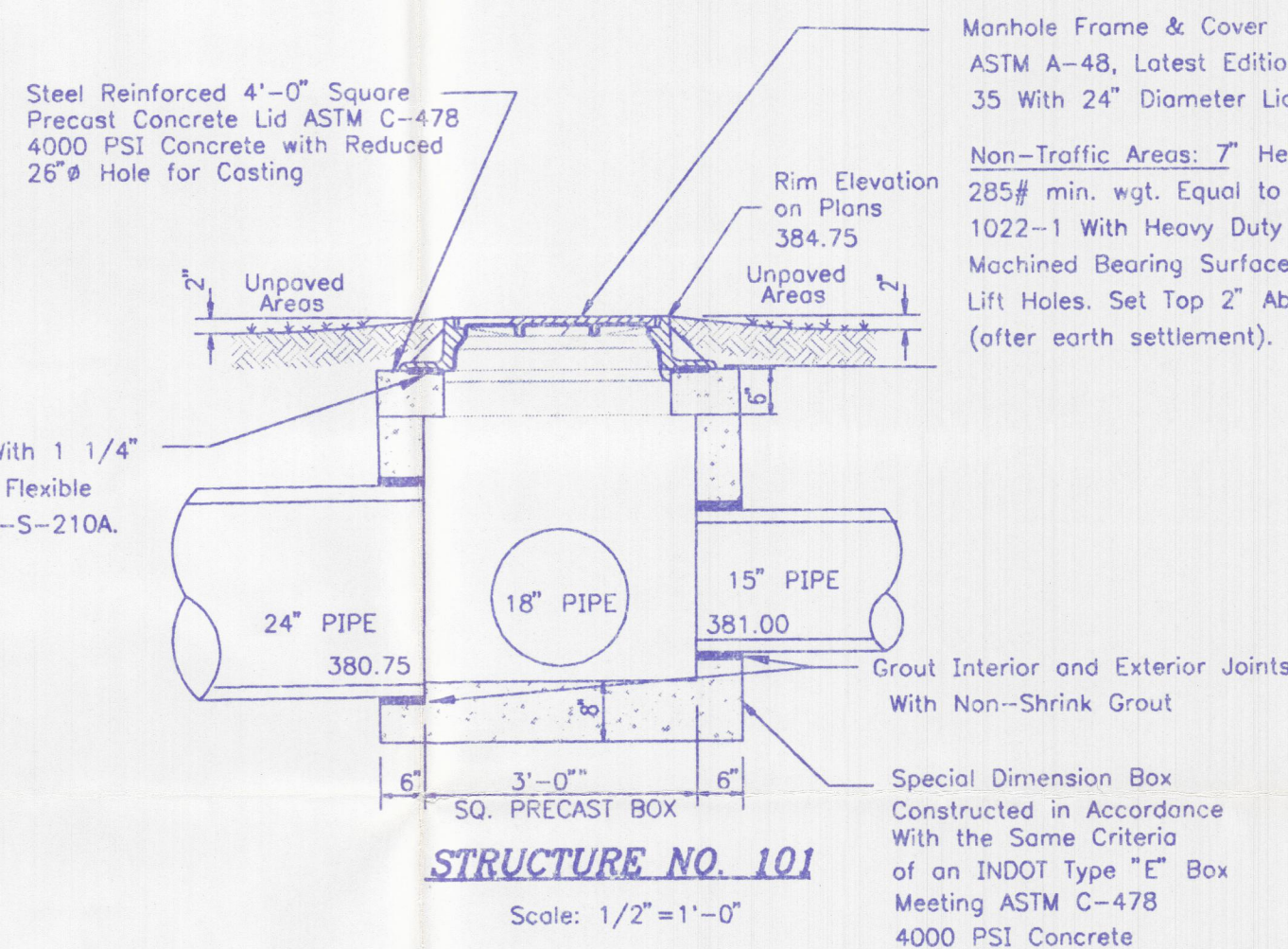
**CONCRETE END SECTION DETAIL**

NOT TO SCALE



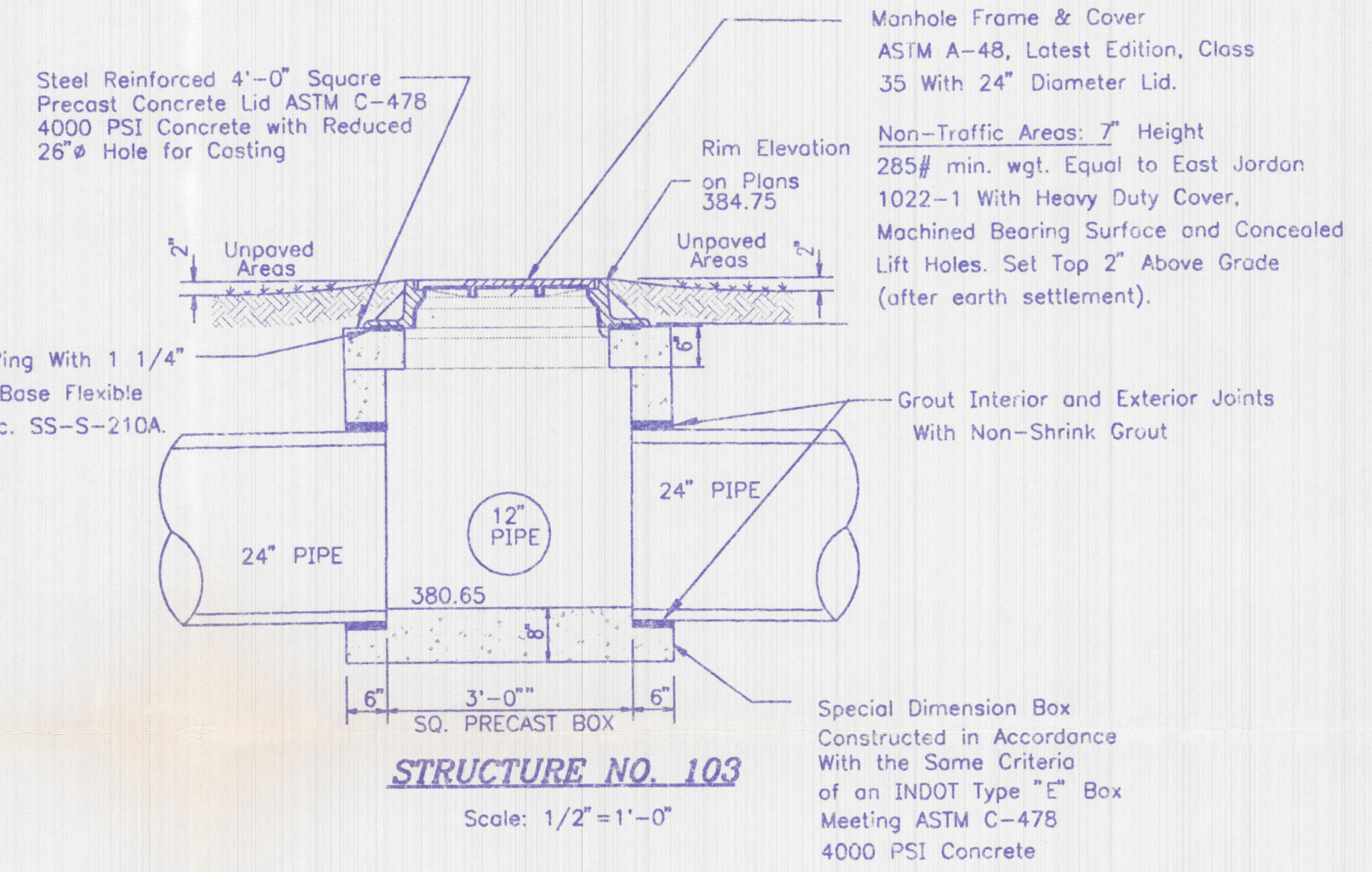
**STRAIGHT CURB TURNOUT & PAVED INVERT DETAIL**

No Scale



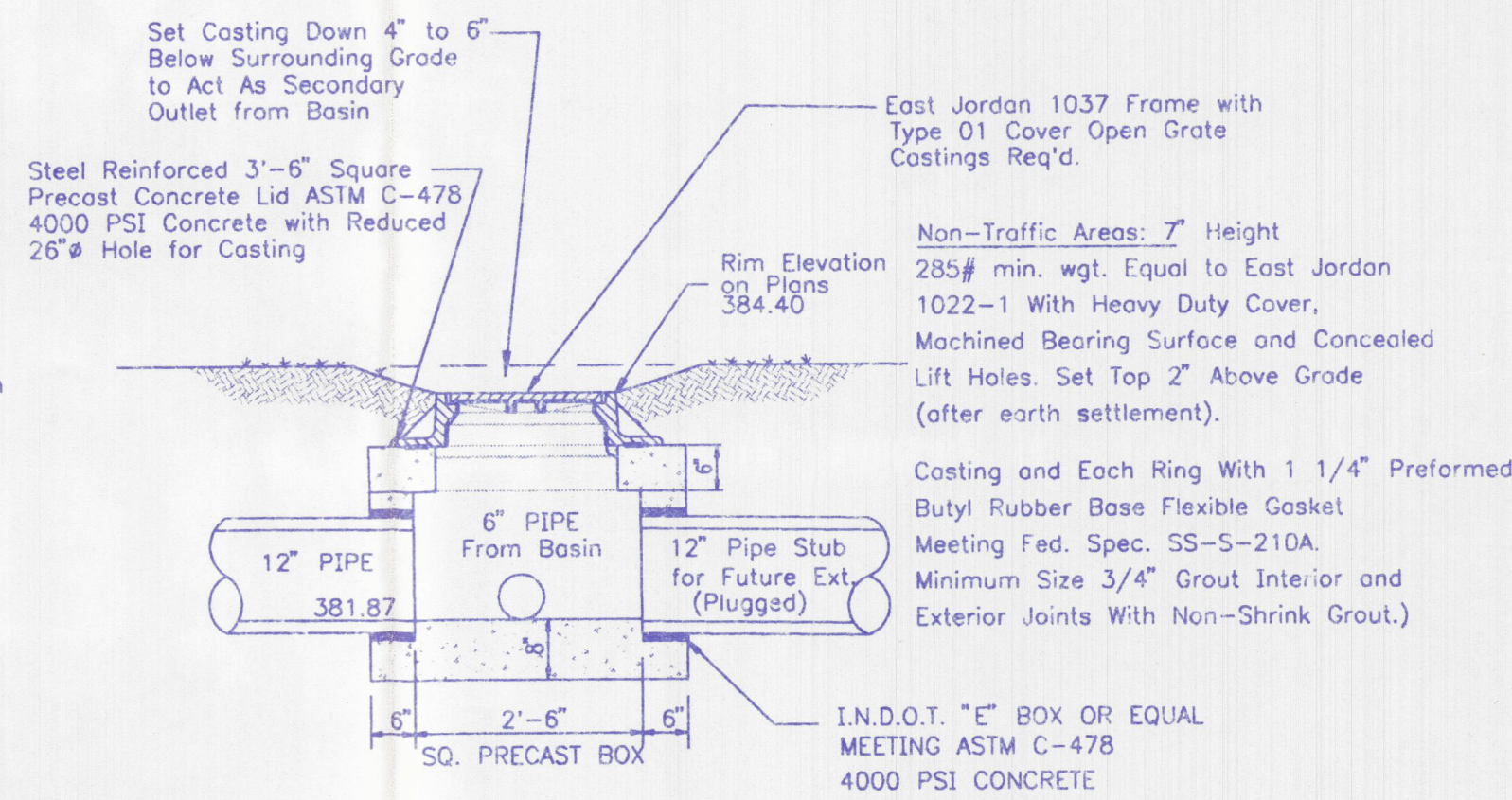
**STRUCTURE NO. 101**

Scale: 1/2"=1'-0"



**STRUCTURE NO. 103**

Scale: 1/2"=1'-0"



**STRUCTURE NO. 106**

Scale: 1/2"=1'-0"

**DETAILS**  
WATERFORD PLACE SUBDIVISION  
STEPHEN LIBS CHOCOLATES  
MANDERBURGH COUNTY, INDIANA

Prepared By: **BERNARDIN LOCHMUELLER & ASSOC., INC.**  
Planners - Engineers - Surveyors

DATE: 9/24/97  
PROJECT NO.: 197-0136-OPD  
ISSUED: [Signature]

Scale: 1/2"=1'-0"

**JAMES A. FARMY**  
REGISTERED PROFESSIONAL ENGINEER  
No. 20434  
STATE OF INDIANA

**S3**  
Of 3