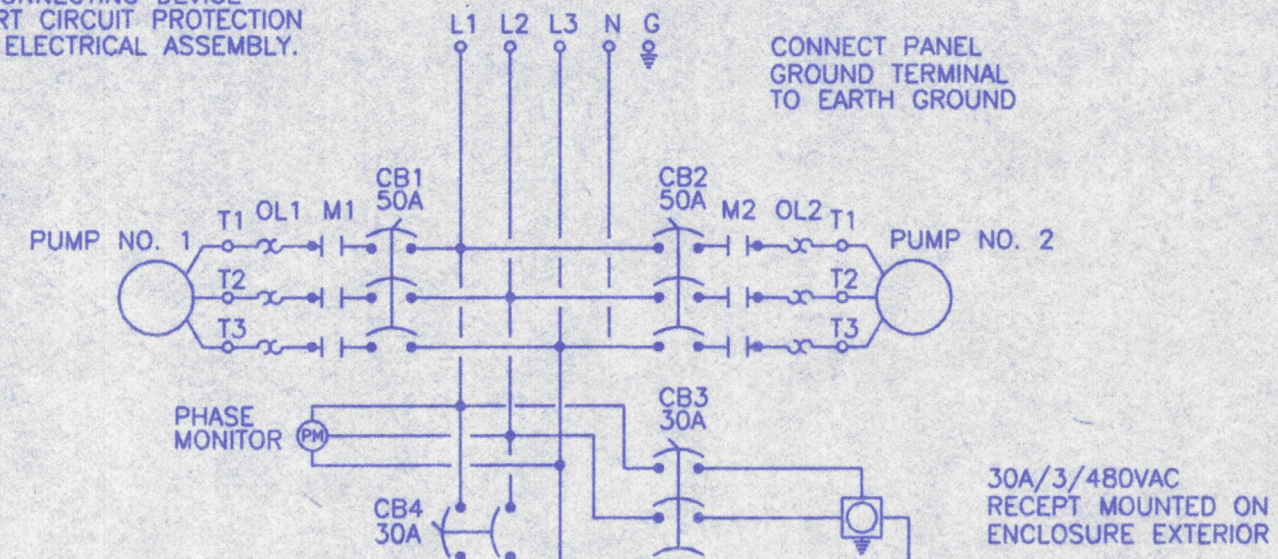


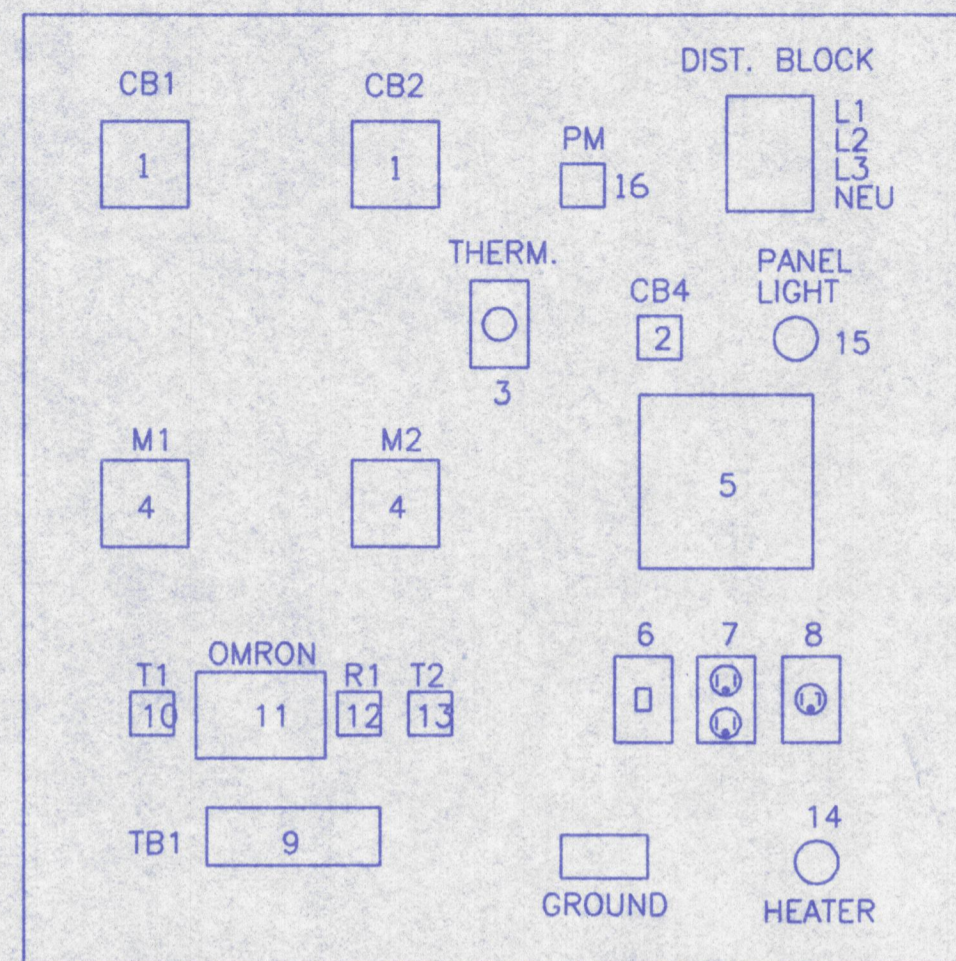
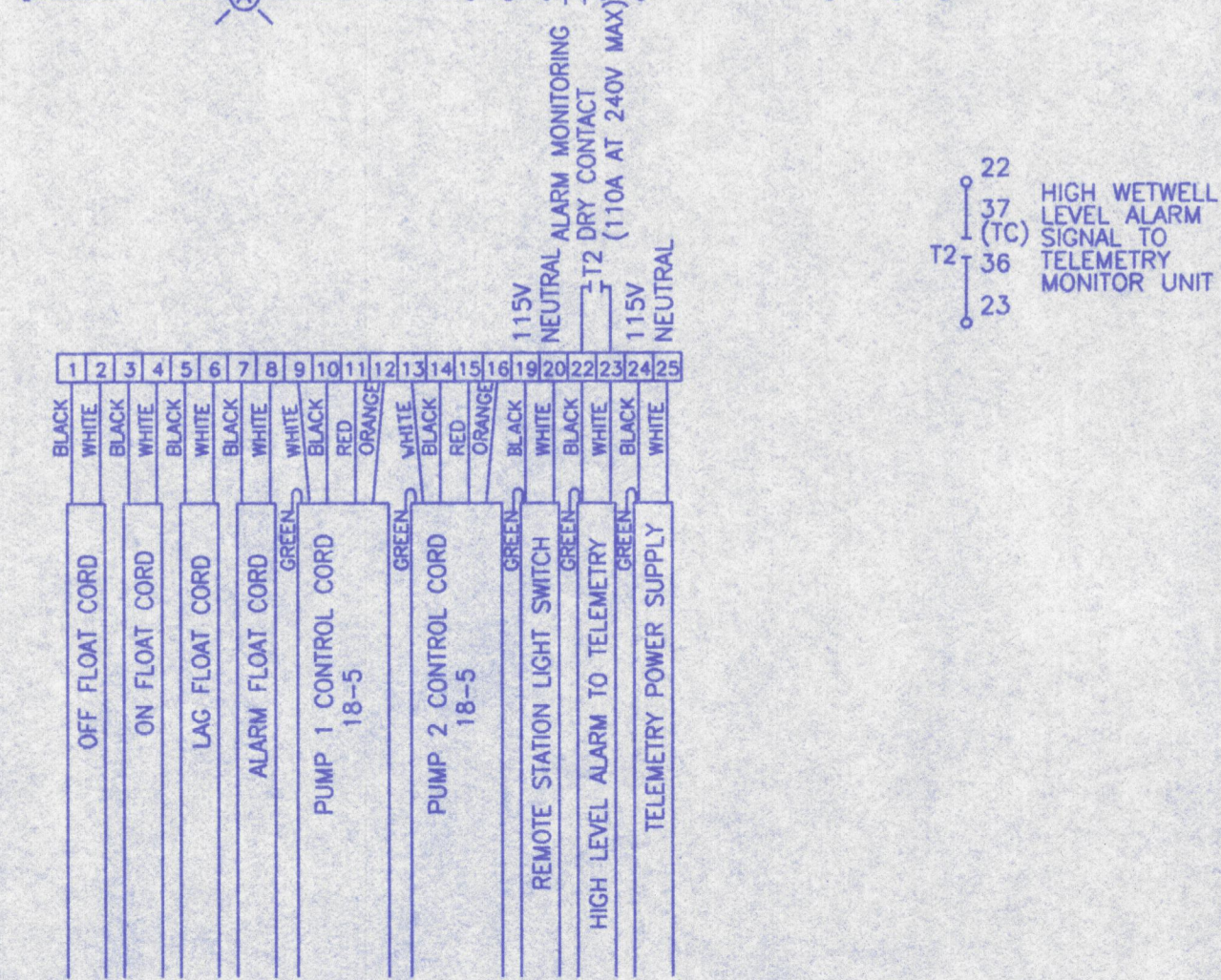
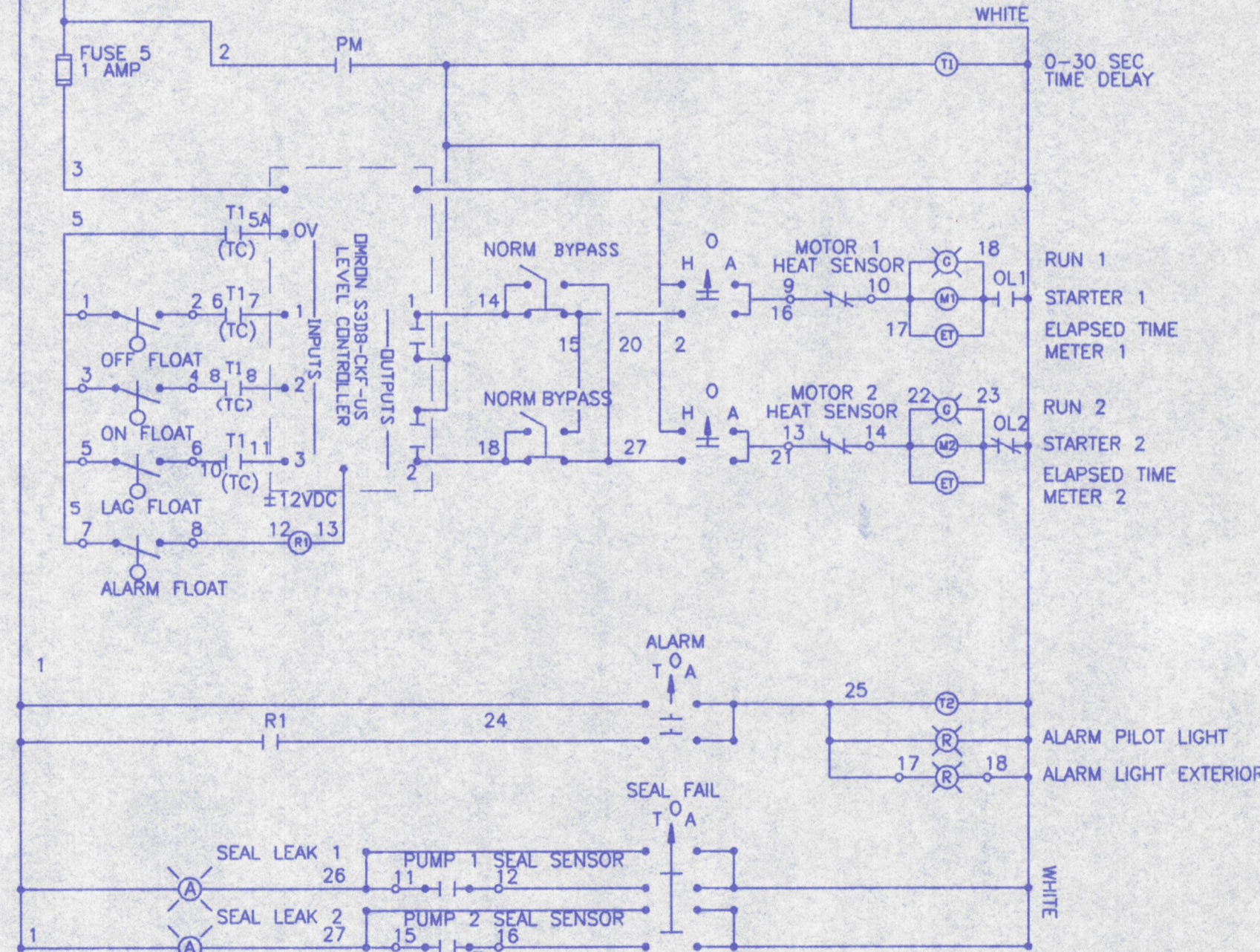
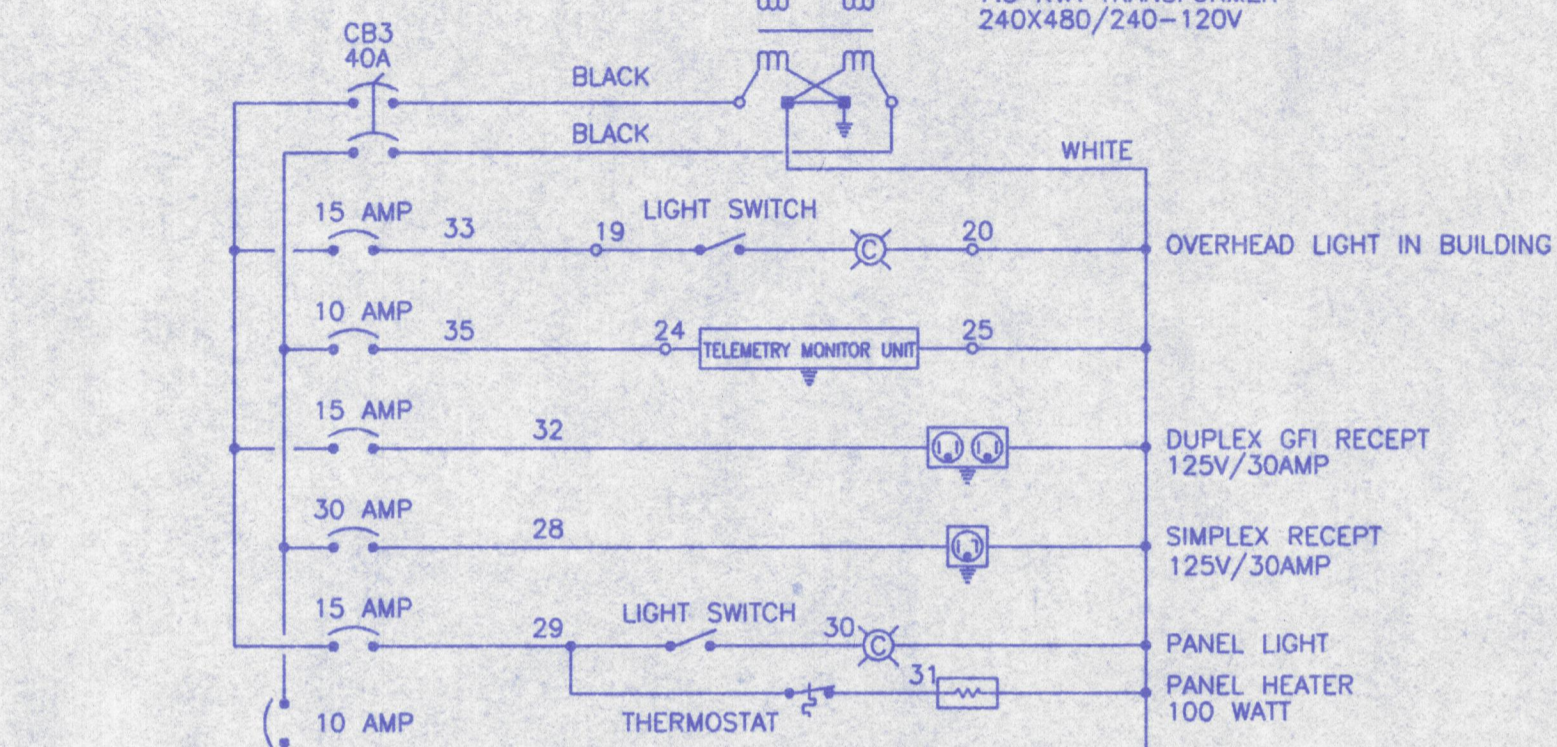
INSTALLER MUST PROVIDE A MAIN DISCONNECTING DEVICE WITH SHORT CIRCUIT PROTECTION FOR THIS ELECTRICAL ASSEMBLY.



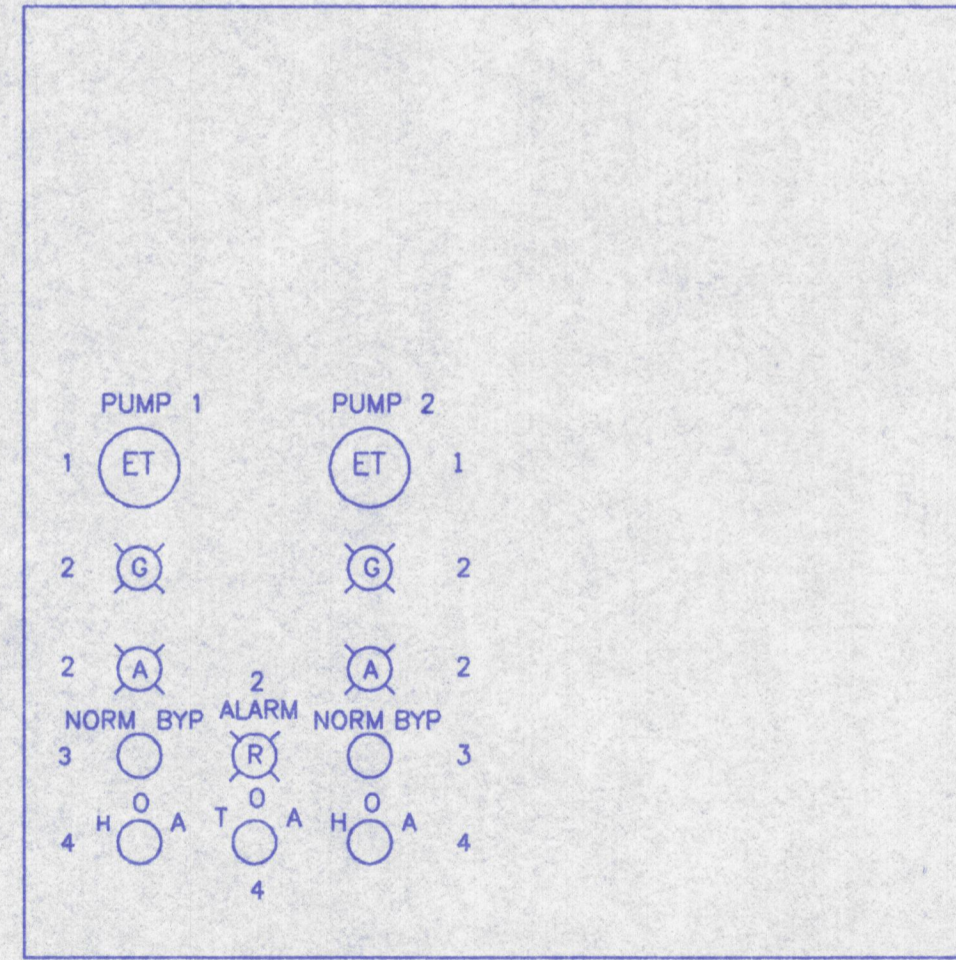
CONNECT PANEL GROUND TERMINAL TO EARTH GROUND

30A/3/480VAC RECEPT MOUNTED ON ENCLOSURE EXTERIOR

7.5 KVA TRANSFORMER 240X480/240-120V



CONTROL PANEL LAYOUT



COVER PANEL LAYOUT

- SQUARE D 3-POLE CIRCUIT BREAKER BQ3BXXX
- SQUARE D 2-POLE CIRCUIT BREAKER BQ2BXXX
- SQUARE D THERMOSTAT PART #55
- ALLEN BRADLEY 509-A00 FULL VOLTAGE NEMA STARTERS
- SQUARE D SUB BREAKER PANEL PART #Q06-12L100F/S
- LIGHT SWITCH W/COVER
- 30 AMP DUPLEX GFI RECEPTACLE
- 30 AMP SIMPLEX RECEPTACLE
- ALLEN BRADLEY TERMINAL STRIP 1492-F1 TERMINAL 1492 RAIL
- OMRON TIME DELAY RELAY #H3Y-4-US-120V
- OMRON S3D-CK PROGRAMMABLE CONTROLLER
- AMF POTTER-BRUMFIELD RELAY KHJ17D11
- ALLEN BRADLEY MULTIFUNCTION TIMING RELAY TYPE HR100-240VAC
- CHROMALOX TYPE SCB-150 HEATER WITH STANDARD LAMP SOCKET
- SQUARE BASE LIGHT SOCKET WITH LIGHT
- DIVERSIFIED PHASE MONITOR MODEL # SLAXXASA

- NONRESETTABLE ELAPSED TIME INDICATORS CRAMER AC VOLTAGE HOUR METER
- ALLEN BRADLEY STANDARD PILOT LIGHTS #800T-Q10X WITH COLOR CAPS #800T-N26X
- ALLEN BRADLEY 2 POSITION SELECTOR SWITCH UNIT 800T-H2A W/ LEGEND PLATE
- ALLEN BRADLEY 3 POSITION SELECTOR SWITCH UNIT 800T-H2A W/ LEGEND PLATE

NOTE:

- CONTROL PANEL ENCLOSURE SHALL BE WIEGMANN MODEL # N12-843612 W/ PANEL # NP-4836.

<b>VANDERBURGH INDUSTRIAL PARK</b> LIFT STATION - ELECTRICAL FOR <b>EVANSVILLE INDUSTRIAL FOUNDATION</b> <small>VANDERBURGH COUNTY, INDIANA</small>		
Prepared By <b>BERNARDIN &amp; LOCHMUELLER ASSOC., INC.</b> <small>Planners · Engineers · Surveyors</small> <small>2209 Vogel Road</small> <small>Lawrence, IN 47130 (317)719-0200</small>	DATE: 9/8/99 PROJECT NO.: 199-0077 OPD ISSUED: FOR CONSTRUCTION	SHEET: <b>36</b>
REVISION	NO.	DATE