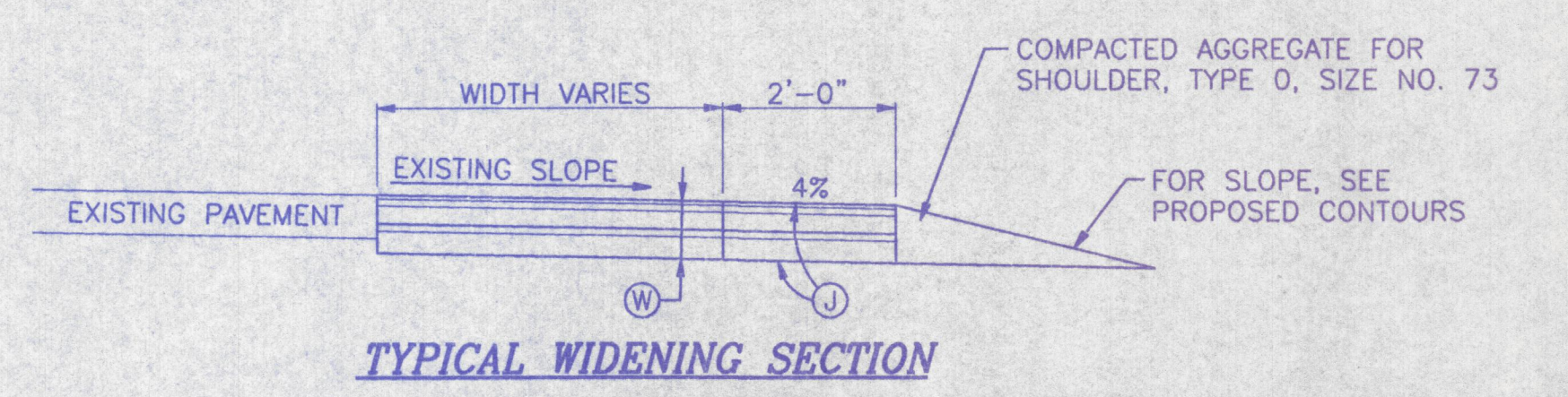


- LEGEND**
- (J) BITUMINOUS SHOULDER
110#/SYD. BITUMINOUS SURFACE 11, HV ON
220#/SYD. BITUMINOUS BINDER 8 OR 9, HV ON
605#/SYD. BITUMINOUS BASE 5, HV ON
385#/SYD. BITUMINOUS BASE 5D, HV ON
6" COMPACTED AGGREGATE BASE, TYPE "O", SIZE NO. 53
 - (W) BITUMINOUS WIDENING
110#/SYD. BITUMINOUS SURFACE 11, HV ON
220#/SYD. BITUMINOUS BINDER 8 OR 9, HV ON
605#/SYD. BITUMINOUS BASE 5, HV ON
385#/SYD. BITUMINOUS BASE 5D, HV ON
6" COMPACTED AGGREGATE BASE, TYPE "O", SIZE NO. 53
 - (40) LINE, PAINT, SOLID, WHITE, 4"
 - (45) LINE, THERMOPLASTIC, SOLID, YELLOW, 4"
 - (50) TRANSVERSE MARKINGS, THERMOPLASTIC, STOP LINE, 24"
 - (51) PAVEMENT MESSAGE MARKING, THERMOPLASTIC, LANE INDICATION ARROW
 - (52) PAVEMENT MESSAGE MARKING, THERMOPLASTIC, WORD (ONLY)

- NOTES:**
1. ALL EXISTING CONFLICTING PAVEMENT MARKINGS SHALL BE REMOVED PRIOR TO PLACEMENT OF NEW PAVEMENT MARKINGS.
 2. ALL EXISTING CENTERLINE MARKINGS SHALL REMAIN IN PLACE.
 3. ALL PAVEMENT MARKINGS SHALL BE IN ACCORDANCE WITH THE INDIANA MANUAL ON UNIFORM TRAFFIC CONTROL DEVICES FOR STREETS AND HIGHWAYS.
 4. ALL WORK WITHIN THE S.R. 57 RUN SHALL FOLLOW THE 1999 INDOT STANDARD SPECIFICATIONS.



REVISION		NO.	DATE

VANDERBURGH INDUSTRIAL PARK
S.R. 57 ROAD PLANS
FOR
EVANSVILLE INDUSTRIAL FOUNDATION

Prepared By: **BERNARDIN LOCHMUELLER & ASSOC., INC.**
Engineers - Surveyors
199-0077 OPD
ISSUED FOR CONSTRUCTION

DATE: 9/8/99
PROJECT NO.: 199-0077 OPD
ISSUED FOR CONSTRUCTION

25

S:\Projects\199-0077\Topo\Sheet_1.dwg 09/08/99 09:38 Pmt