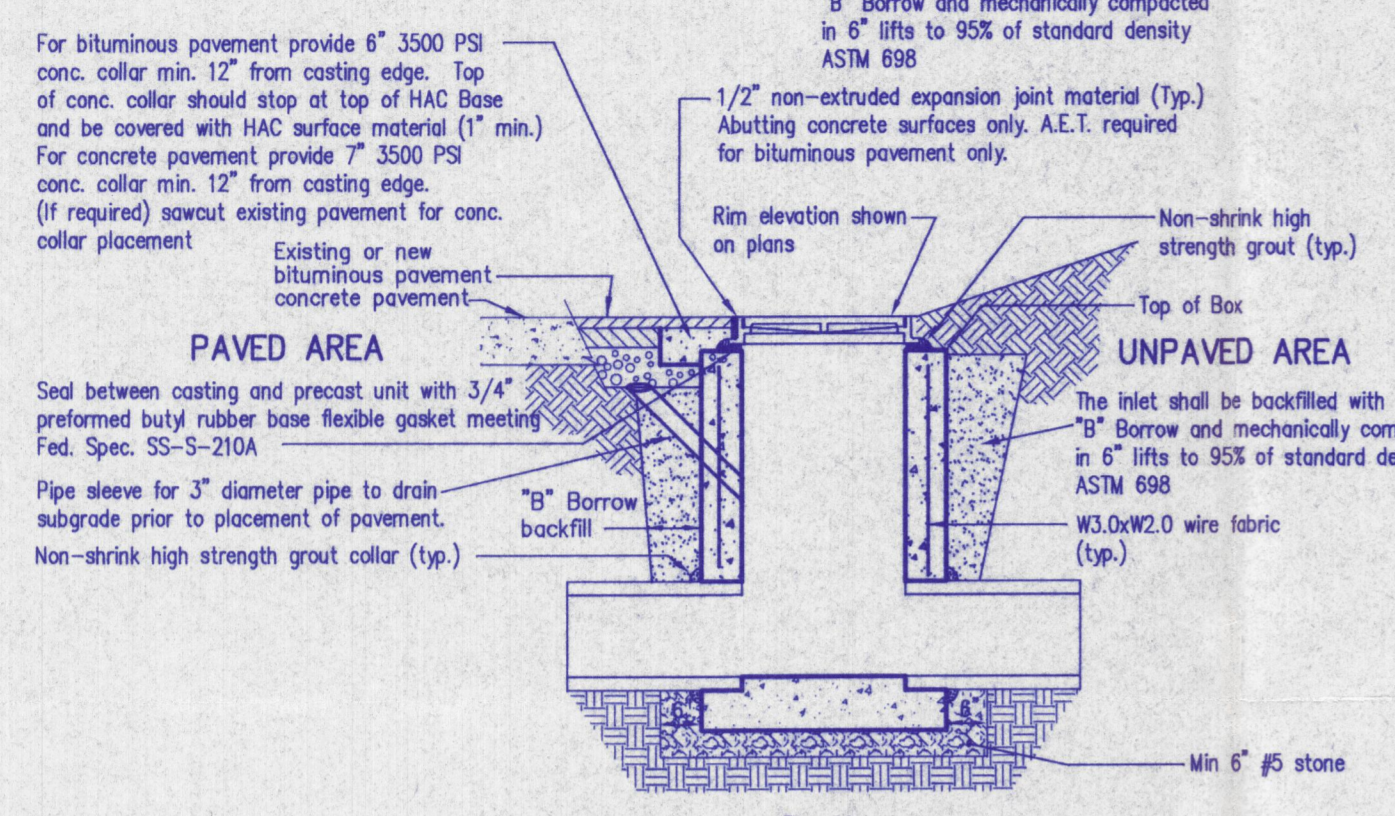
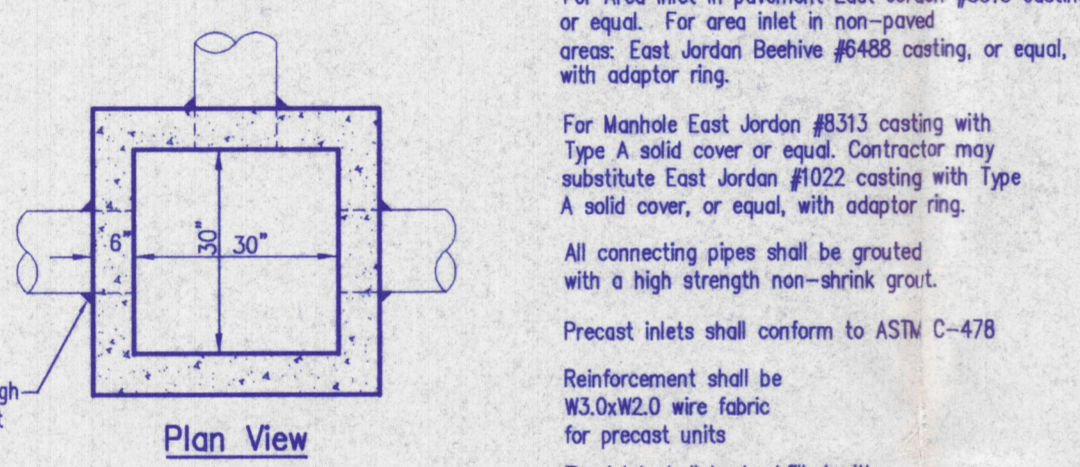


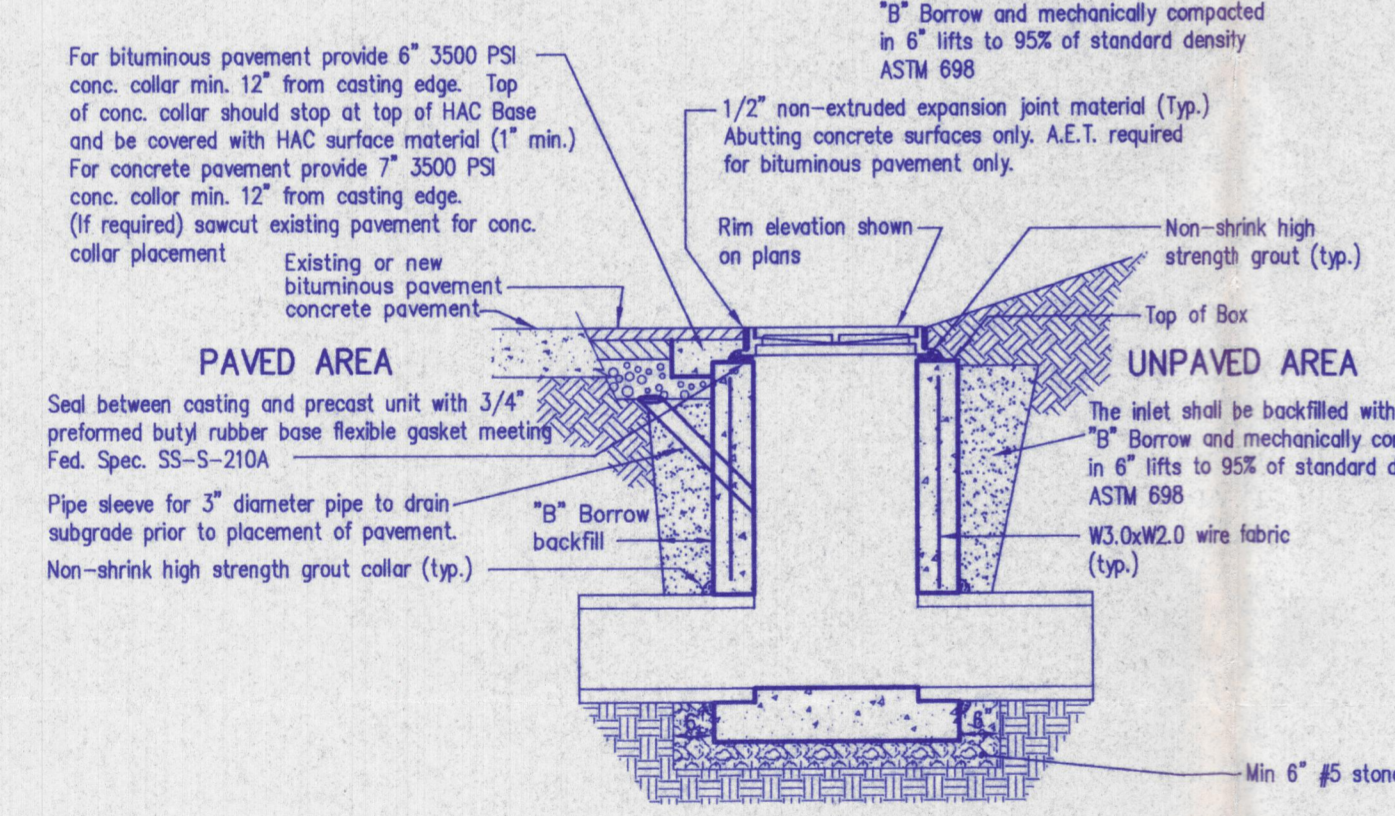
Notes
 For Area Inlet in pavement East Jordan #8308 casting or equal with Type M grate. For area inlet in non-paved areas: East Jordan Beehive #6488 casting, or equal, with adaptor ring.
 For Manhole East Jordan #8308 casting with Type A solid cover or equal. Contractor may substitute East Jordan #1022 casting with Type A solid cover, or equal, with adaptor ring.
 All connecting pipes shall be grouted with a high strength non-shrink grout.
 Precast inlets shall conform to ASTM C-478.
 Reinforcement shall be 3" x 6" W3.0xW2.0 wire fabric for precast units.
 The inlet shall be backfilled with "B" Borrow and mechanically compacted in 6" lifts to 95% of standard density ASTM 698.



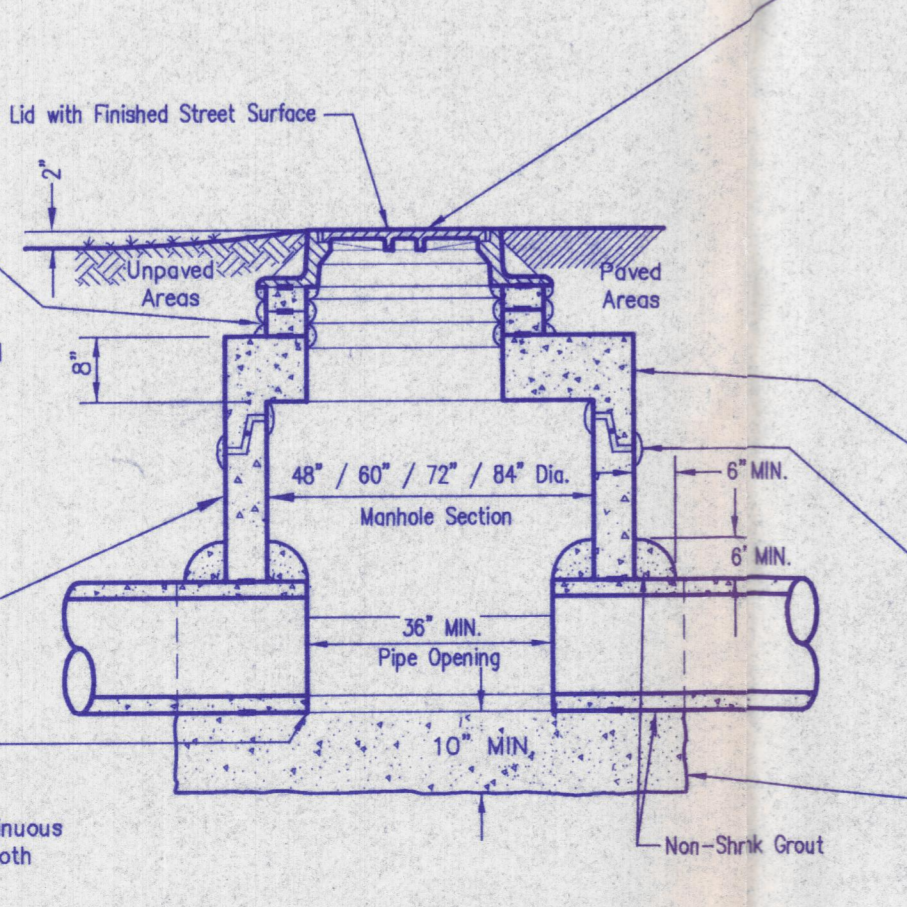
Section
Precast "A" Box
 NO SCALE



Notes
 For Area Inlet in pavement East Jordan #8313 casting or equal. For area inlet in non-paved areas: East Jordan Beehive #6488 casting, or equal, with adaptor ring.
 For Manhole East Jordan #8313 casting with Type A solid cover or equal. Contractor may substitute East Jordan #1022 casting with Type A solid cover, or equal, with adaptor ring.
 All connecting pipes shall be grouted with a high strength non-shrink grout.
 Precast inlets shall conform to ASTM C-478.
 Reinforcement shall be W3.0xW2.0 wire fabric for precast units.
 The inlet shall be backfilled with "B" Borrow and mechanically compacted in 6" lifts to 95% of standard density ASTM 698.

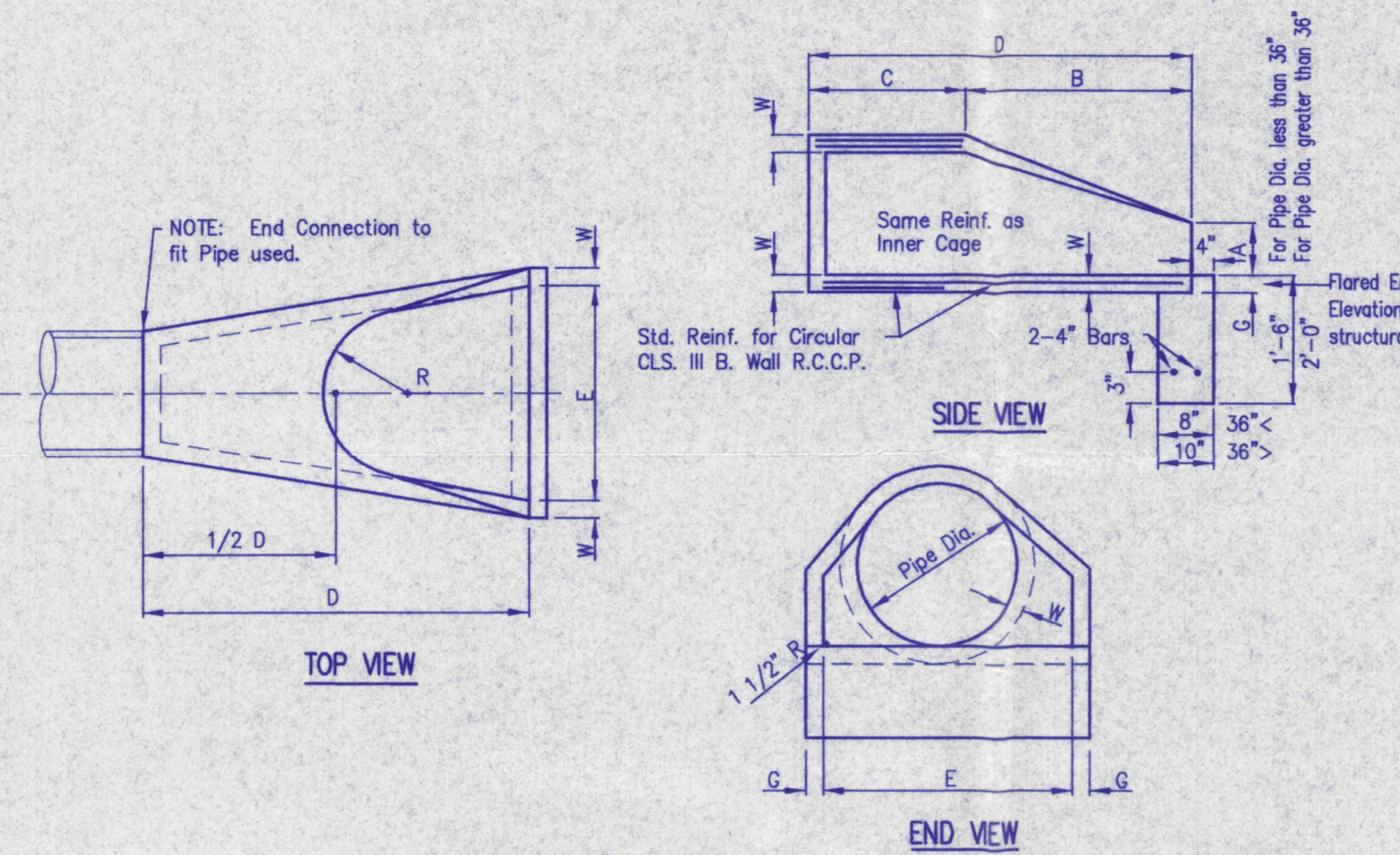


Section
Precast "E" Box
 NO SCALE

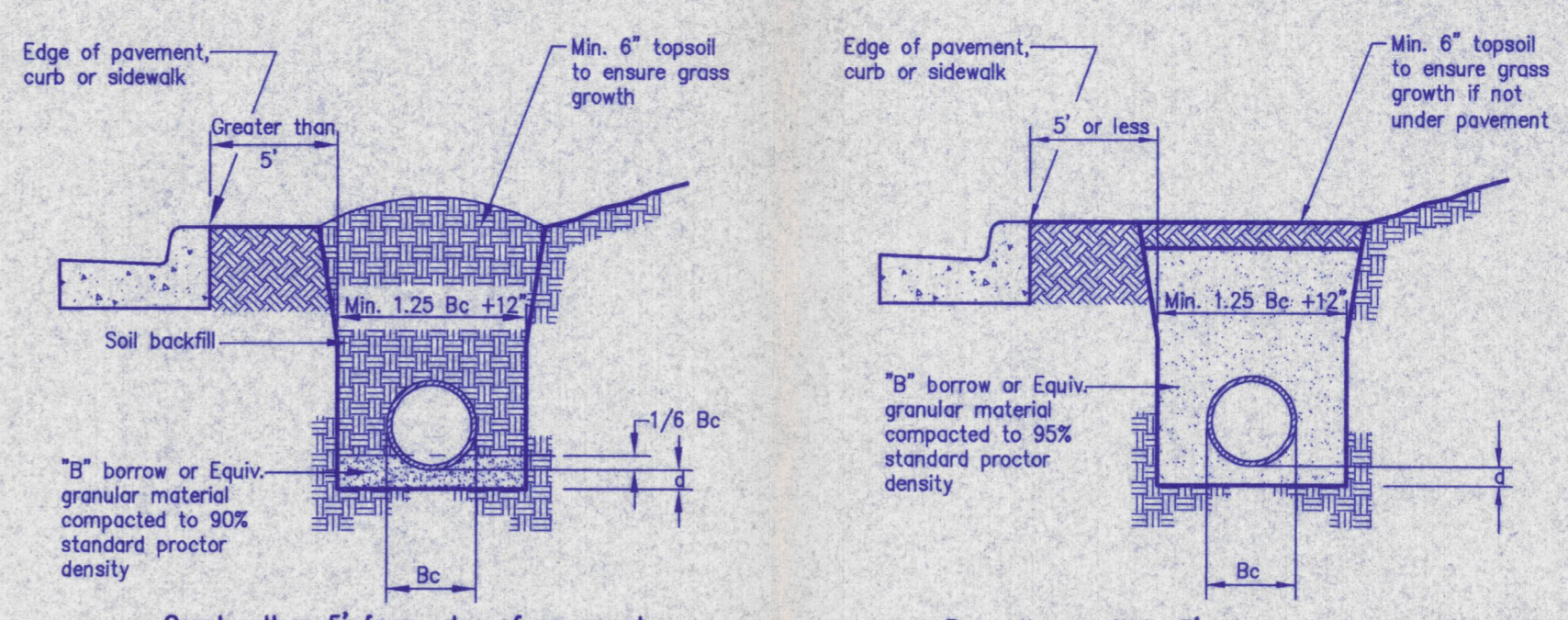


Shallow Storm Manhole, Inlet or Area Drain
 NO SCALE

PIPE DIA.	WGT. (LBS)	WALL	A	B	C	D	E	G	R	SLOPE
12"	530	2"	5"	2'-0"	4'-7/8"	8'-7/8"	2'-0"	2'	8"	2:1
15"	740	2 1/4"	6"	2'-3"	3'-10"	8'-1"	2'-4"	2 1/4"	11"	2:1
18"	990	2 1/2"	10"	2'-3"	3'-10"	8'-3"	3'-0"	2 1/2"	12"	2:1
21"	1280	2 3/4"	10"	2'-11"	3'-2"	8'-1"	3'-8"	2 3/4"	13"	2:1
24"	1650	3"	10"	3'-1 1/2"	2'-8"	8'-3"	4'-0"	3"	14"	2:1
27"	1930	3 1/4"	10 1/2"	4'-0"	2'-1 1/2"	8'-1 1/2"	4'-8"	3 1/4"	14 1/2"	3:1
30"	2190	3 1/2"	1'-0"	4'-8"	1'-7 3/4"	8'-3 3/4"	5'-0"	3 1/2"	15"	3:1
33"	2500	3 3/4"	1'-1 1/2"	4'-10 1/2"	1'-5 1/4"	8'-1 3/4"	5'-8"	3 3/4"	17 1/2"	3:1
36"	4000	4"	1'-3"	5'-3"	2'-10 3/4"	8'-1 3/4"	6'-0"	4"	20"	3:1
42"	5380	4 1/2"	1'-8"	5'-3"	2'-11"	8'-2"	6'-8"	4 1/2"	22"	3:1
48"	6590	5"	2'-0"	6'-0"	2'-2"	8'-2"	7'-0"	5"	22"	3:1
54"	8240	5 1/2"	2'-3"	5'-3"	2'-11"	8'-4"	7'-8"	5 1/2"	24"	2:1
60"	8730	6"	2'-11"	5'-0"	3'-3"	8'-3"	8'-0"	6"	24"	2:1
66"	10710	6 1/2"	2'-8"	6'-0"	2'-3"	8'-3"	8'-8"	6 1/2"	24"	2:1
72"	12500	7"	3'-0"	6'-8"	1'-8"	8'-3"	9'-0"	7"	24"	1.86:1
78"	14770	7 1/2"	3'-0"	7'-8"	1'-8"	8'-3"	9'-8"	7 1/2"	24"	1.62:1
84"	18160	8"	3'-0"	7'-8 1/2"	1'-8"	8'-3 1/2"	10'-0"	8 1/2"	24"	1.5:1

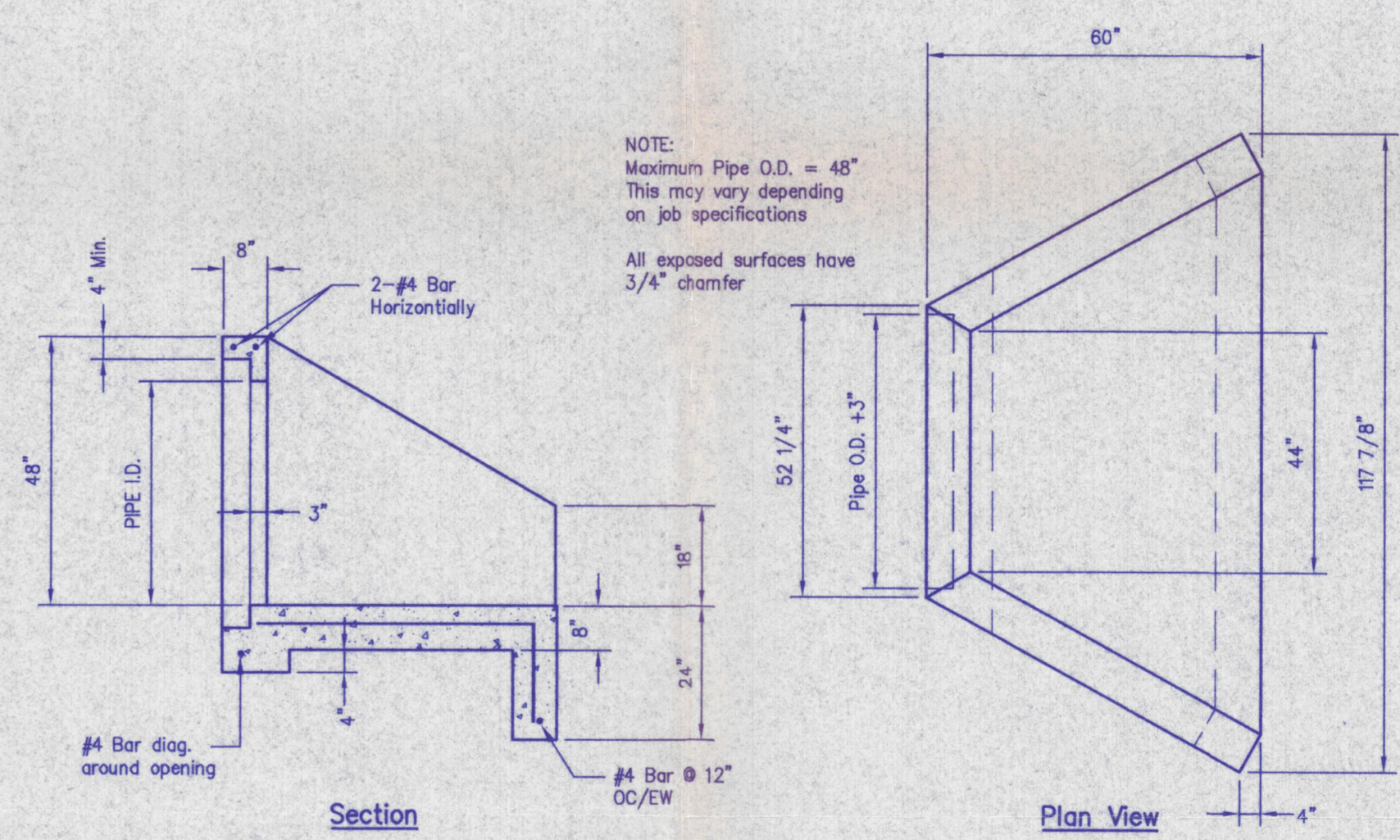


Concrete End Section
 NO SCALE



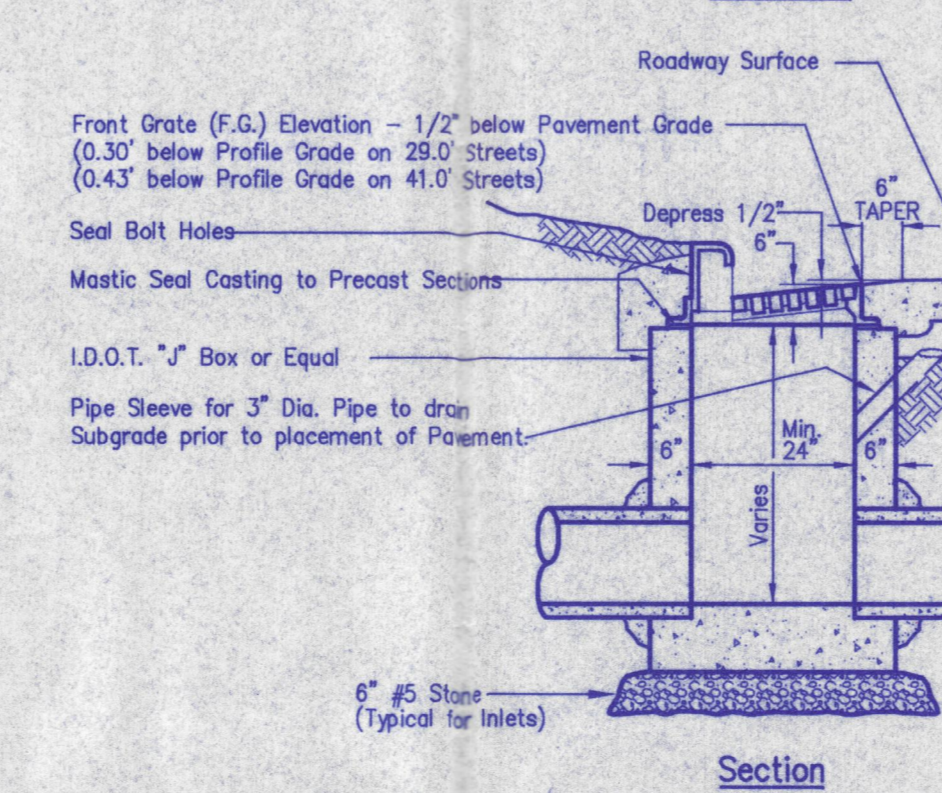
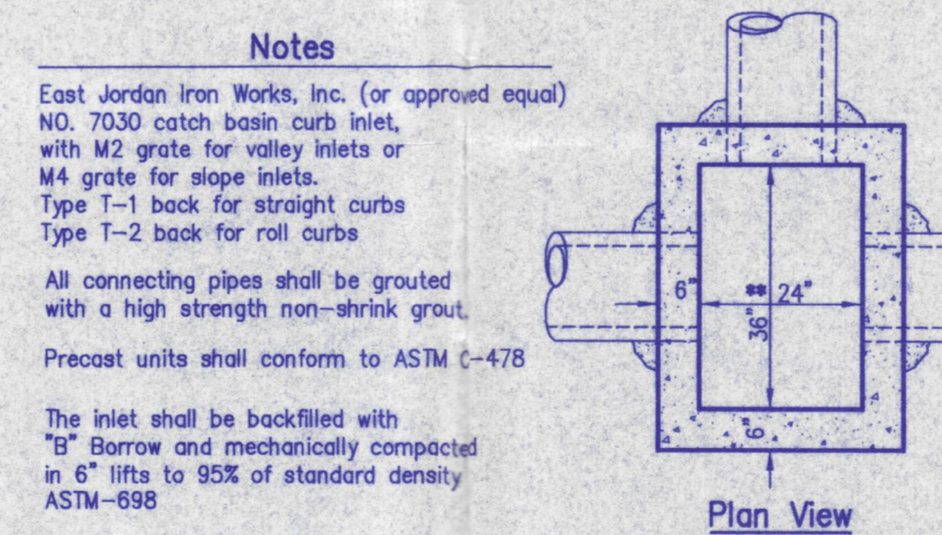
Notes:
 All bedding & initial backfill shall be installed in 6" to 12" balanced lifts.
 A minimum 9" of clearance shall be provided on each side of the installed pipe.
 Depth of Bedding Material Below Pipe:
 D = Outside Diameter
 d = Inside Diameter
 d = Depth of Bedding Material Below Pipe

Reinforced Concrete Pipe Storm Sewer Bedding
 NO SCALE



Specifications:
 Concrete strength - 4500 PS @ 28 days
 Reinforcement - ASTM A-615 & ASTM A-615M (Latest Revision), Grade 60
 Pipe Size - RCP-C Wall ERCP & CPP 36" Max. CMP 42" Max.
 Approx. Weight - 8,700#
 Pipe Connect. Opt. - Grout holes, pipe seal gaskets
 Other Options - Cast Iron, Dispersion Block
 Bedding - Minimum 6" depth stone (No. 7 or finer)
 Flap Gate - Waterman Industries #F-10, or equivalent.

Pipe Culvert Headwall
 NO SCALE



Curb Inlet
 NO SCALE

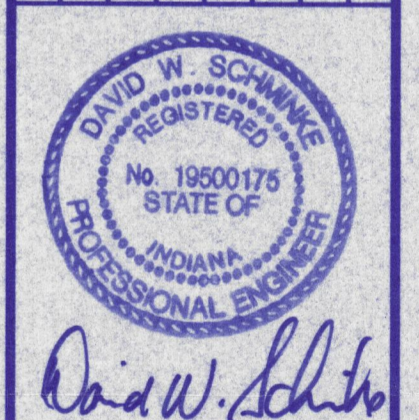
Notes
 East Jordan Iron Works, Inc. (or approved equal)
 NO. 7030 catch basin curb inlet, with M2 grate for valley inlets or M4 grate for slope inlets.
 Type T-1 back for straight curbs
 Type T-2 back for roll curbs
 All connecting pipes shall be grouted with a high strength non-shrink grout.
 Precast units shall conform to ASTM C-478
 The inlet shall be backfilled with "B" Borrow and mechanically compacted in 6" lifts to 95% of standard density ASTM-698

Notes
 For curb inlet (C) installations equal to East Jordan No. 7030, M3 Grate for valley inlets and M4 for slope inlets. Type T-1 (Straight) or T-2 (Roll Curb) back.
 Area Drain (A.D.) installations equal to East Jordan Iron Works, Inc. No. 8315M grate
 Precast flat top section, ASTM C-478 4000 PSI concrete with special reinforcing and proper size opening for specified inlet installation.
 JOINTS: O-Ring Rubber Gasket Joint ASTM C-443 or ASTM C-78 with preformed joint Filler Strip, or Forsheda 114 Pre-lubricated mastic joint Seal conforming to ASTM D443 or equal. Interior and exterior of joint to be grouted with Non-shrink grout.
 POURED CONCRETE BASE SECTION, 3500 PSI Concrete, with smooth invert channels accurately shaped to a depth equal to 3/4 of the inside Dia. of Sewer Pipe. Manhole shall slope towards channel at 1:12, minimum base overhang 6"

Morley and Associates, Inc.
 Consulting Engineers/Surveyors/Architects
 600 S.E. Sixth Street
 Evansville, Indiana 47713
 (812) 484-9585

All ideas, drawings, calculations, and arrangements indicated on this plan, including but not limited to, the use of such lines, in connection with the specified project. None of such lines, drawings, calculations, or arrangements shall be construed to any person, firm, or corporation for any purpose whatsoever without the written permission of Morley and Associates, Inc. Morley and Associates, Inc. shall not be held responsible for all dimensions and conditions on the job and Morley and Associates, Inc. must be notified of any variations from the dimensions and conditions shown on these plans by means of a change order.

No.	By	Date	Description



Project: **Stoney Creek Subdivision - Section**
 Sheet Title: **Storm Sewer Details**
 Scale: **AS SHOWN**
 Designed By: **R.S.L.** Job No: **4255-4(G)**
 Drawn By: **G.A.H.** Date: **09/04/00**
 Filename: **J:\4255\DWL3\STORMDET.dwg**
 Sheet Number: **23**

General Notes:
 1. Contractor shall comply with all local, state and federal codes, ordinances, rules, regulations, orders and other legal requirements of municipal authorities which bear on the performance of the work.
 2. The contractor is cautioned that the location and/or elevation of existing utilities as shown on these plans is based on records of various utility companies, and where possible measurements taken in the field. The information is not to be relied on as being exact or complete. The contractor must contact the appropriate utility company at least 48 hours before any excavation to request exact field location of utilities. Contractor shall locate existing utilities and establish elevations and clearances with proposed improvements prior to initiating construction.
 Indiana Underground Utility Locate Service
 Phone: 1-(800)-382-5544
 3. Material specifications shall be in conformance with applicable portions of the INDOT Standard specifications, (latest edition) unless specifically stated otherwise on these plans, contract documents or local code.
 4. Reinforced concrete pipe (Class III min.) and precast flared end sections with rubber gaskets shall meet the requirements ASTM C-76 and C-443. Rubber gaskets shall be "Olip Seal" as manufactured by Forsheda Pipe Seal Company or approved equal.