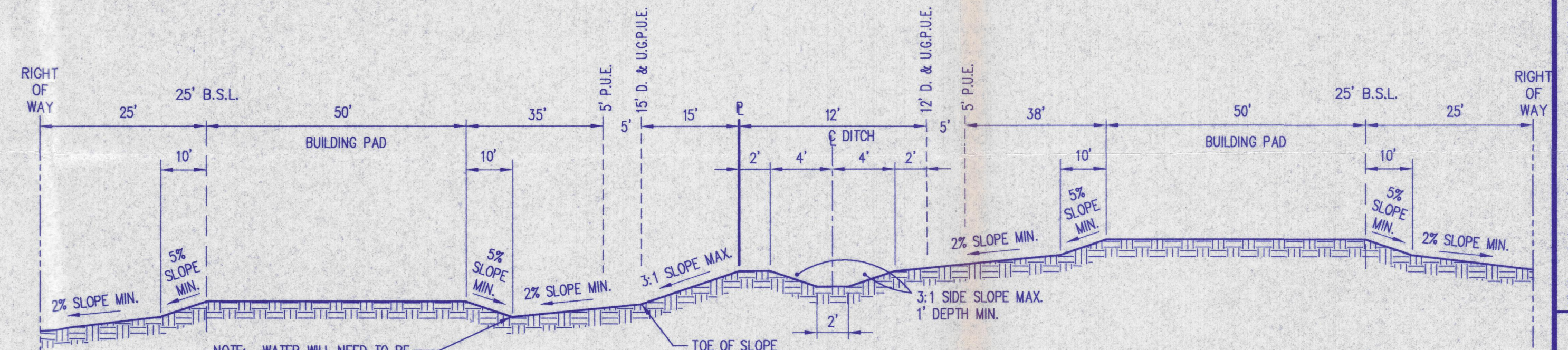
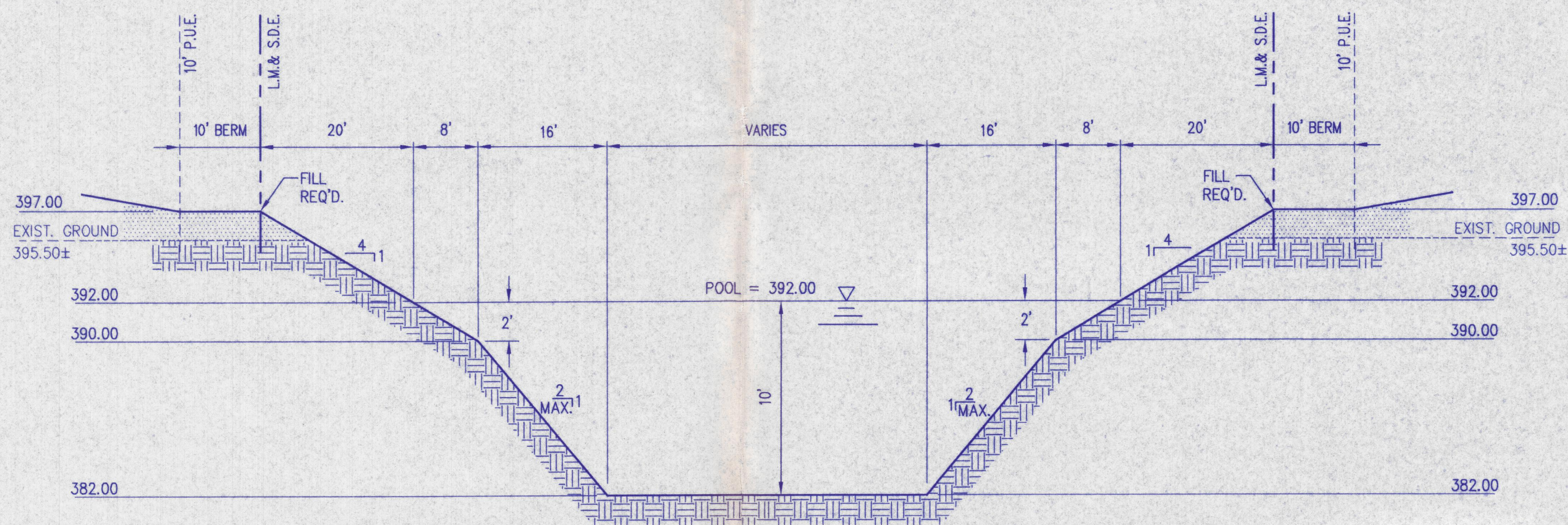


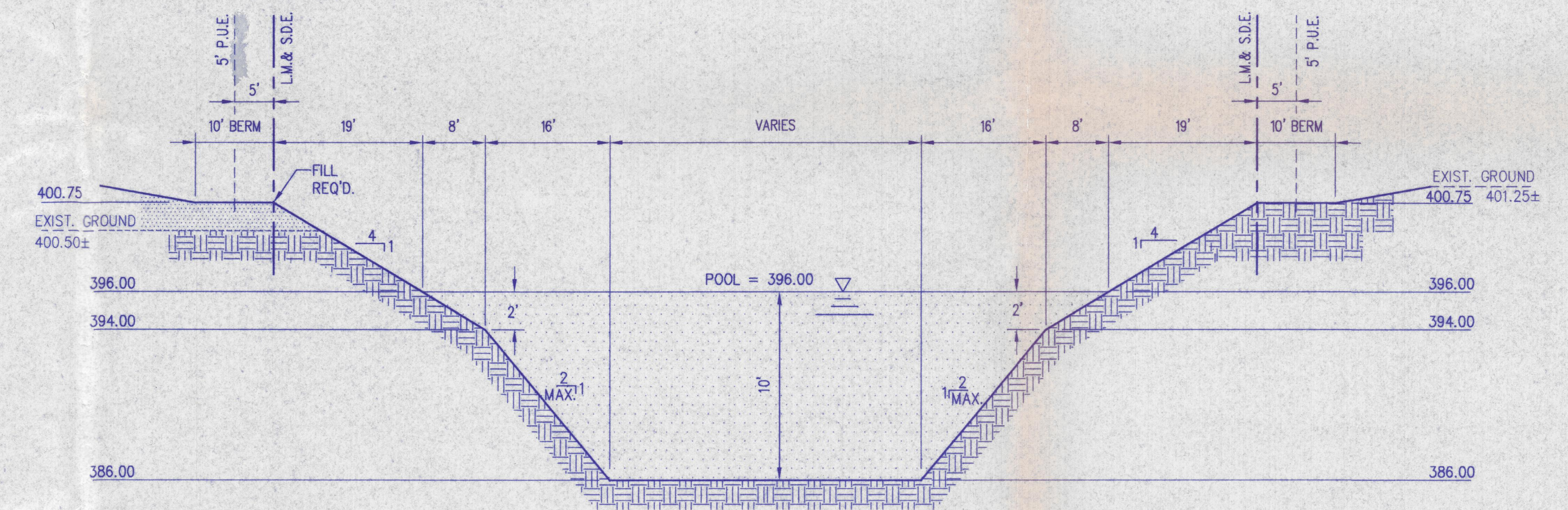
Borrow Basin #2 - Section D-D
No Scale



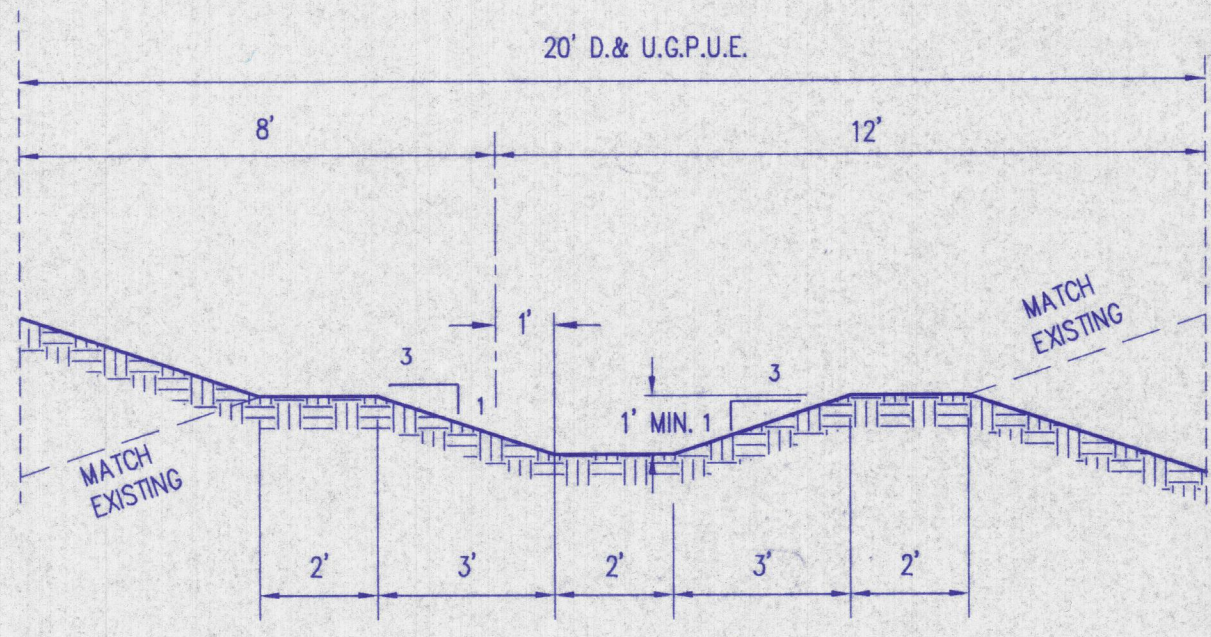
Section H-H Drainage Swale/Grading Plan
No Scale



Retention Basin #4 - Section E-E
No Scale

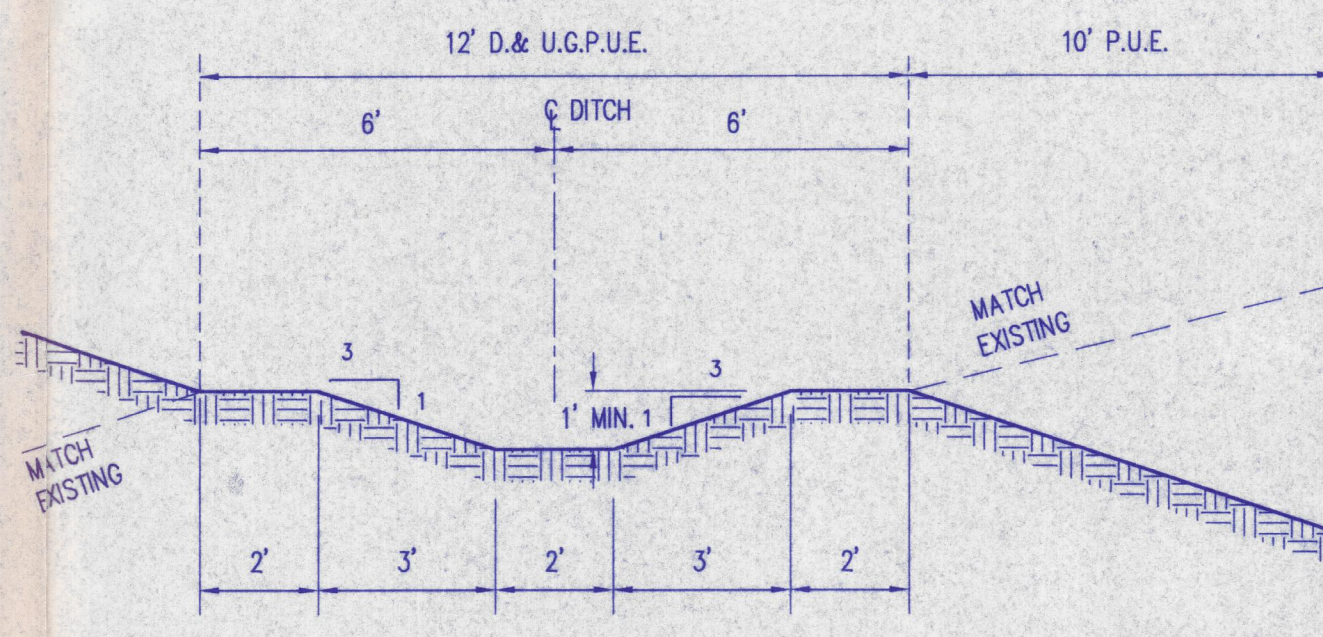


Retention Basin #5 - Section F-F
No Scale



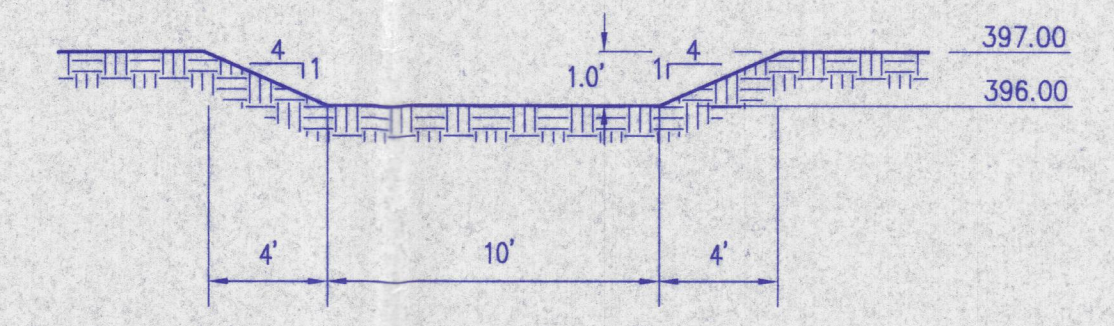
- NOTE:
1. SOD REQUIRED IF LONGITUDINAL SLOPE IS 4% OR GREATER.
 2. 16"x8" CONCRETE RIBBON REQUIRED IF LONGITUDINAL SLOPE IS LESS THAN 0.8%.
 3. RIP-RAP OR EROSION CONTROL BLANKET REQUIRED ON SIDE SLOPES GREATER THAN 3:1. REFER TO EROSION/SEDIMENT CONTROL PLAN.

Section A-A Drainage Swale
No Scale

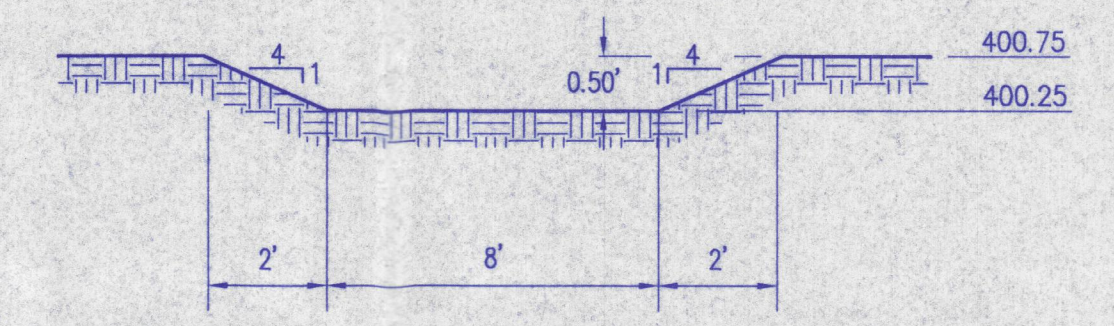


- NOTE:
1. SOD REQUIRED IF LONGITUDINAL SLOPE IS 4% OR GREATER.
 2. 16"x8" CONCRETE RIBBON REQUIRED IF LONGITUDINAL SLOPE IS LESS THAN 0.8%.
 3. RIP-RAP OR EROSION CONTROL BLANKET REQUIRED ON SIDE SLOPES GREATER THAN 3:1. REFER TO EROSION/SEDIMENT CONTROL PLAN.

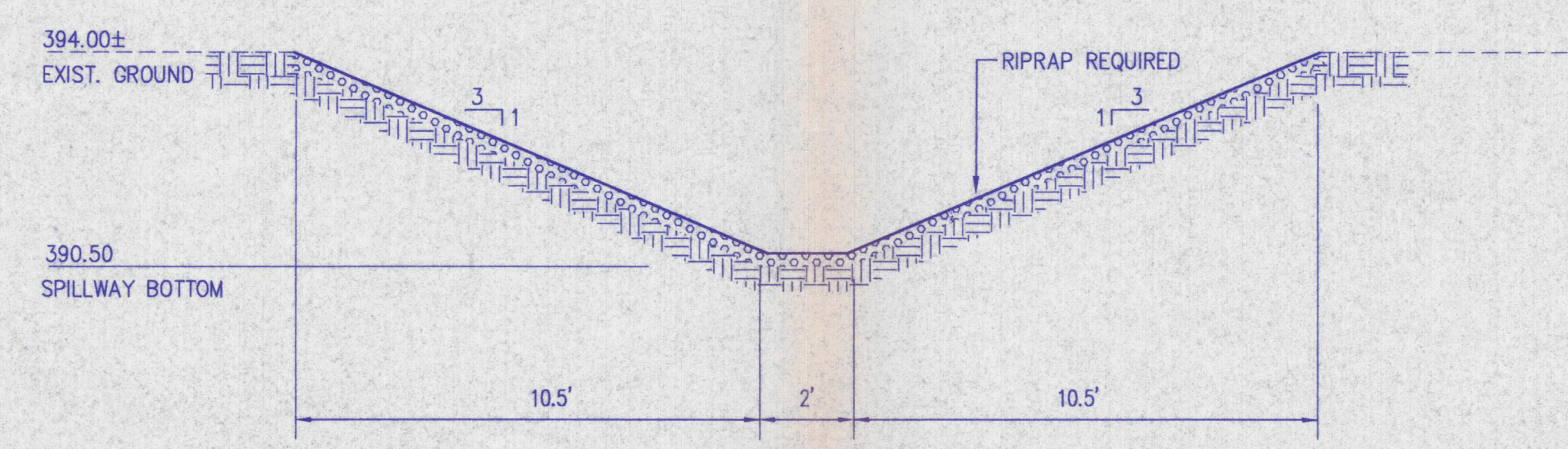
Section B-B Drainage Swale
No Scale



Retention Basin #4 Emergency Spillway
No Scale



Retention Basin #5 Emergency Spillway
No Scale



Borrow Basin #2 Spillway
No Scale

Morley and Associates, Inc.
Consulting Engineers/Surveyors/Architects
600 S.E. Sixth Street
Evansville, Indiana 47713
(812) 464-9585

All facts, designs, calculations, and arrangements indicated or represented by this drawing are owned by and the property of Morley and Associates, Inc. and were created for the use and in connection with the specified project. None of such ideas, designs, calculations, or arrangements shall be used, copied, or reproduced in any form, or for any purpose whatsoever without the written permission of Morley and Associates, Inc. Within the limits of these drawings shall have precedence over all other drawings and specifications. Contractors shall verify and be responsible for all dimensions and conditions on the job and Morley and Associates, Inc. shall not be held responsible for any errors or omissions from the dimensions and conditions shown by these drawings.

No.	By	Date	Description



David W. Schwanke

Project: Stonecreek Subdivision - Section
Sheet Title: Drainage Details
Scale: AS SHOWN
Designed By: R.S.L.
Job Number: 4255-4(G)
Drawn By: C.A.H.
Date: 09/04/00
Filename: J:\4255\CIVL3\4255dm.dwg
Sheet Number: