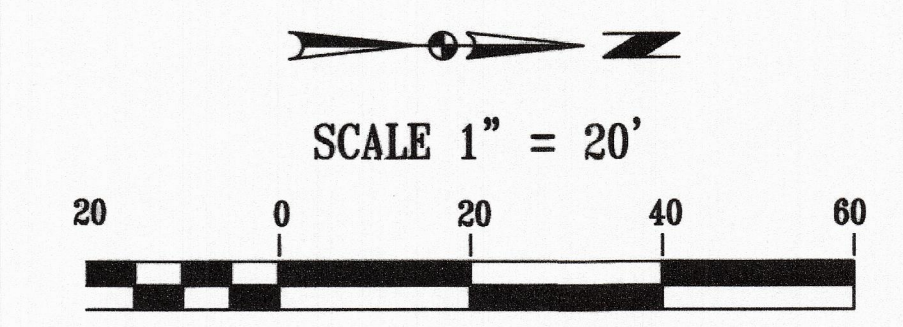
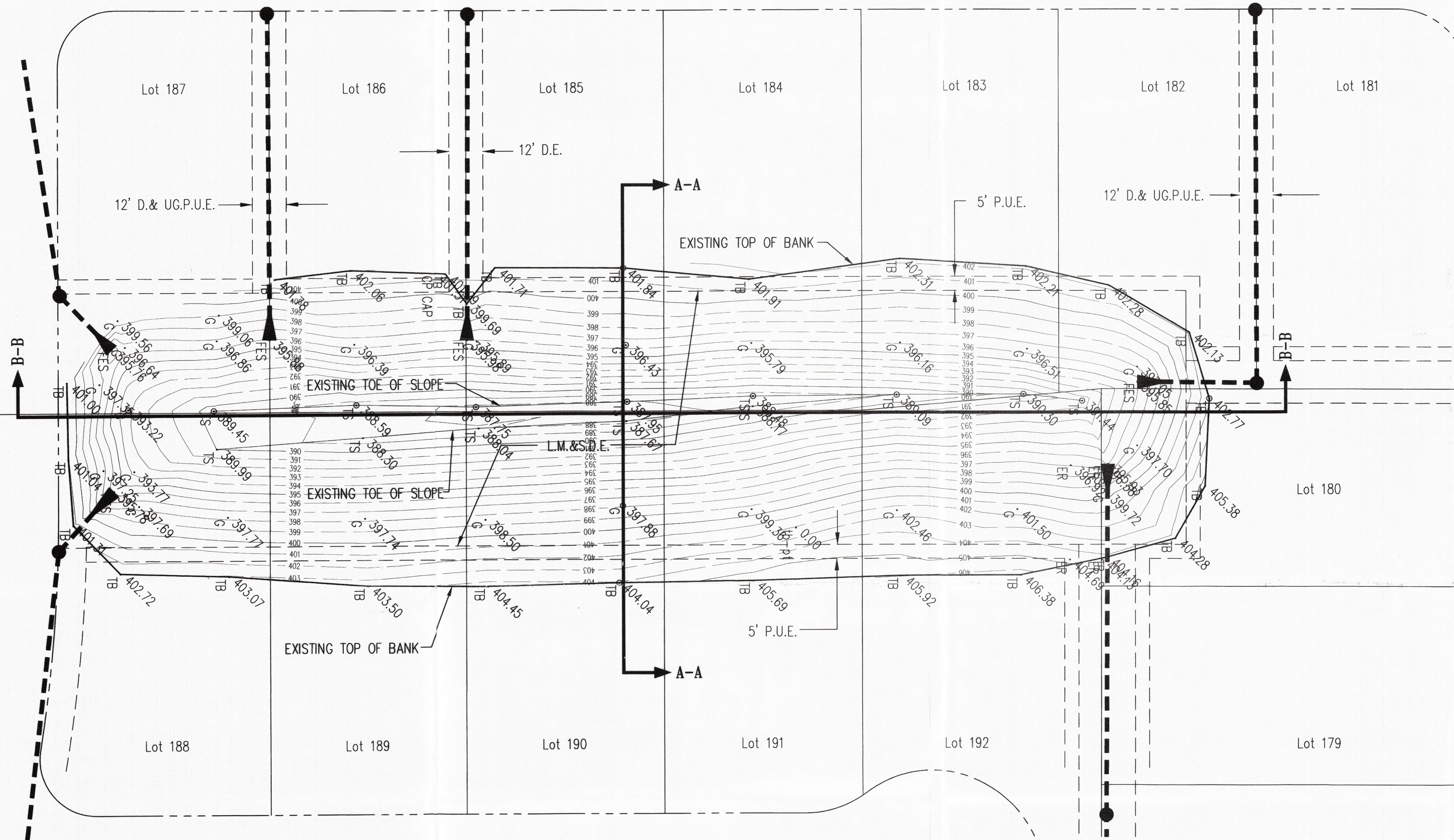
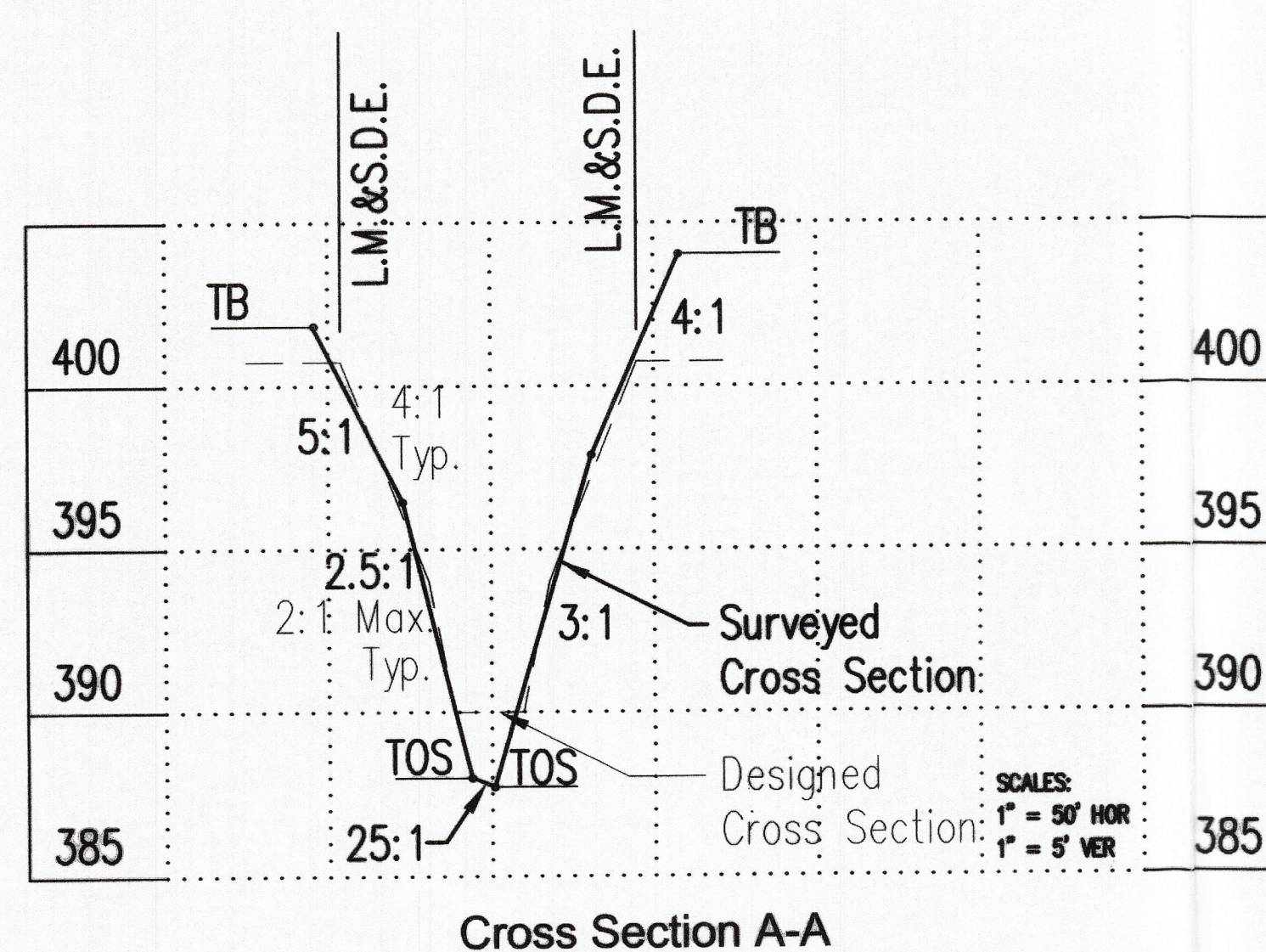


Clippinger Road

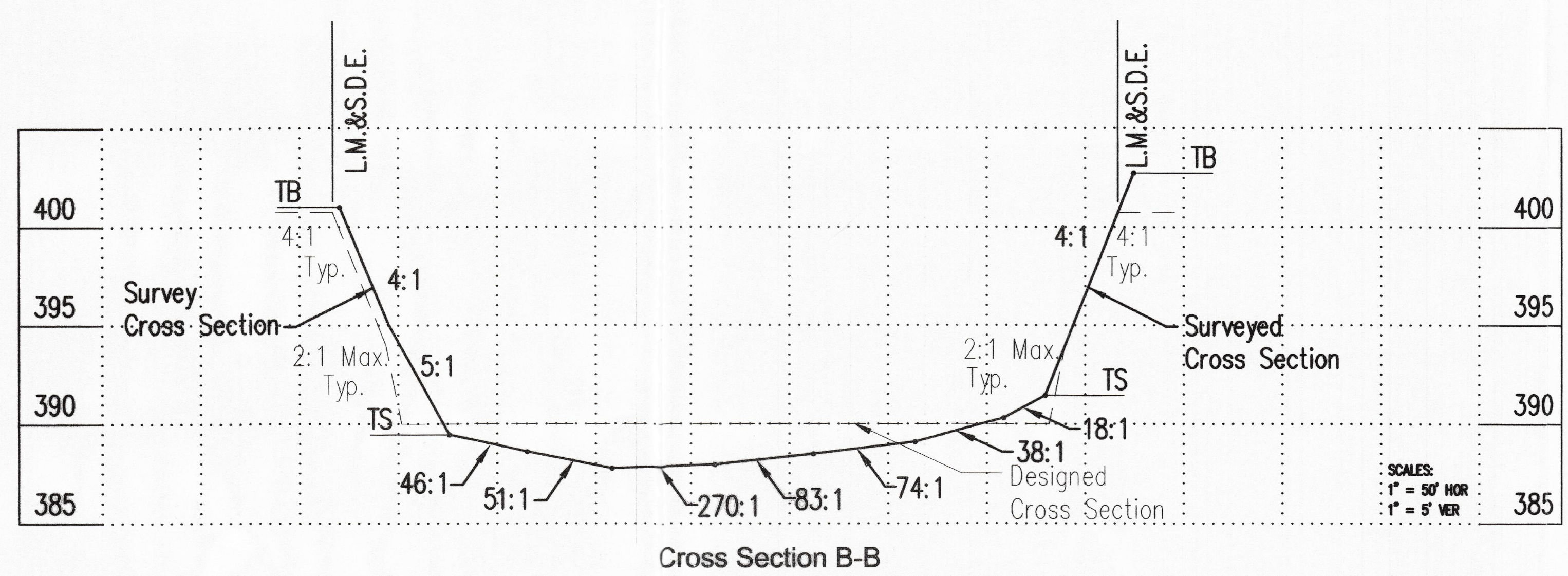


Mooring Road

LEGEND:
 TB = TOP OF BANK TOPO POINT
 TS = TOE OF SLOPE TOPO POINT
 G = GROUND TOPO POINT



Cross Section A-A



Cross Section B-B

I, James E. Morley certify and affirm that the completed storm water drainage system for this project is in general compliance with the Final Drainage Plan as approved by the Vanderburgh County Drainage Board.

Signature: *James E. Morley* 9-9-08
 P.E. 10100250
 Indiana Registration Number



Engineering
 Surveying
 Architecture
 Construction Management

Morley and Associates Inc.

Evansville, IN
 Henderson, KY
 (812) 484-6885
 (812) 858-9980
 www.morleyandassociates.com

All ideas, designs, calculations, and arrangements indicated or represented on these drawings are the property of Morley and Associates, Inc. and were created as instruments of service for use and in connection with the particular project. Morley and Associates, Inc. shall not be held liable for any errors or omissions on these drawings, and shall not be held liable for any damages or losses caused by any other person or firm without the written consent of Morley and Associates, Inc. Within the limits of the professional seal, Morley and Associates, Inc. must be notified of any changes to the drawings and conditions shown by these drawings. The user of these drawings shall be responsible for the accuracy and completeness of the information on the job and Morley and Associates, Inc. shall not be held liable for any errors or omissions on these drawings. The user of these drawings shall be responsible for the accuracy and completeness of the information on the job and Morley and Associates, Inc. shall not be held liable for any errors or omissions on these drawings. The user of these drawings shall be responsible for the accuracy and completeness of the information on the job and Morley and Associates, Inc. shall not be held liable for any errors or omissions on these drawings.

No.	By	Date	Description

Project Name: Stonecreek Subdivision
 Sheet Title: Retention Basin #5
 Record Drawing

Scale: As Shown

Designed By: JEM	Job Number: 4255-4(G)
Drawn By: GAH	Date: 9/04/08

Filename: J:\4255\Civil\Basin #5 As-Built\Basin #5 As-Built 08-28-08.dwg
 Sheet Number: REC01

RECEIVED BY THE
 VANDERBURGH COUNTY
 SUPERVISOR'S OFFICE
 9/17/08 2:12pm