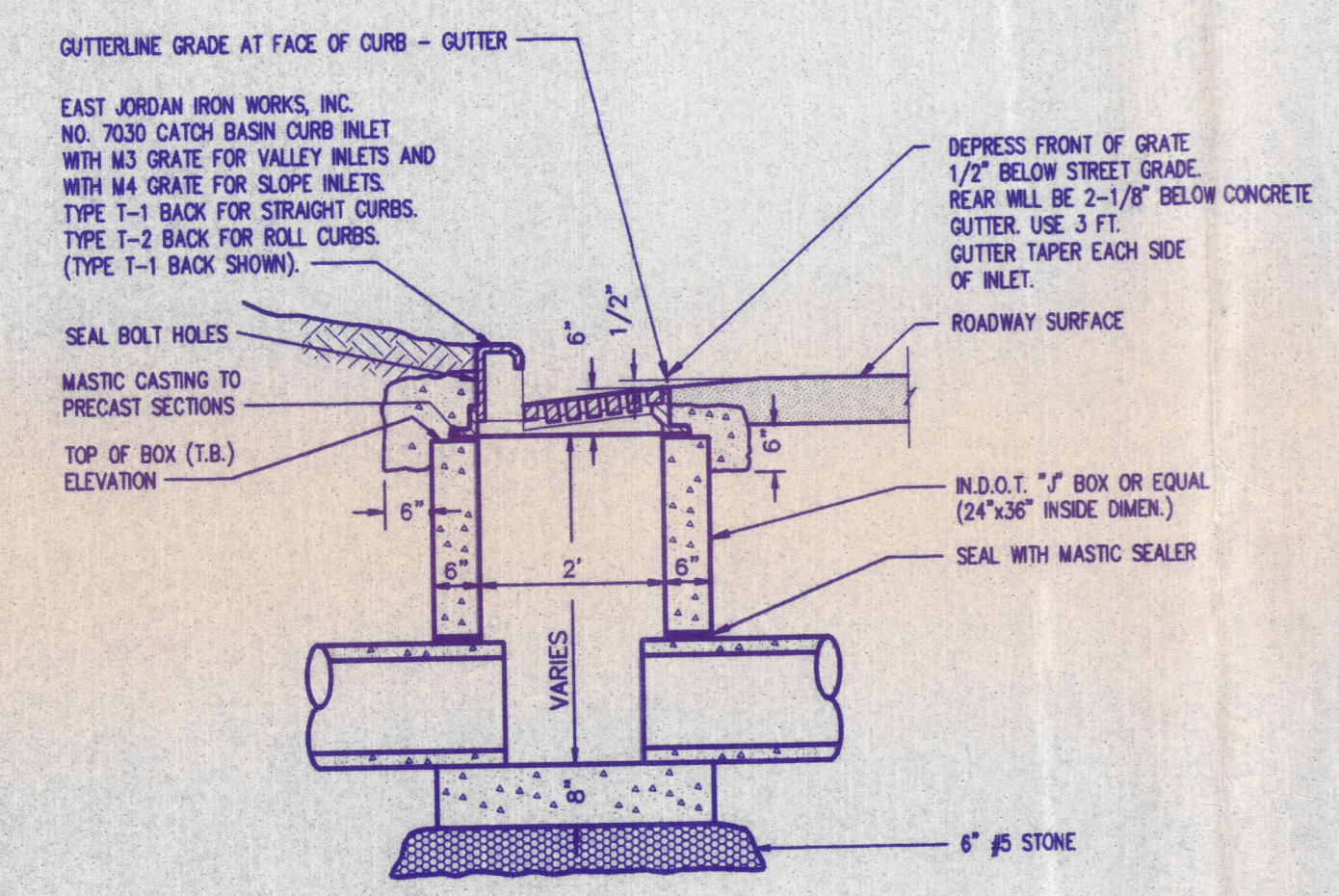
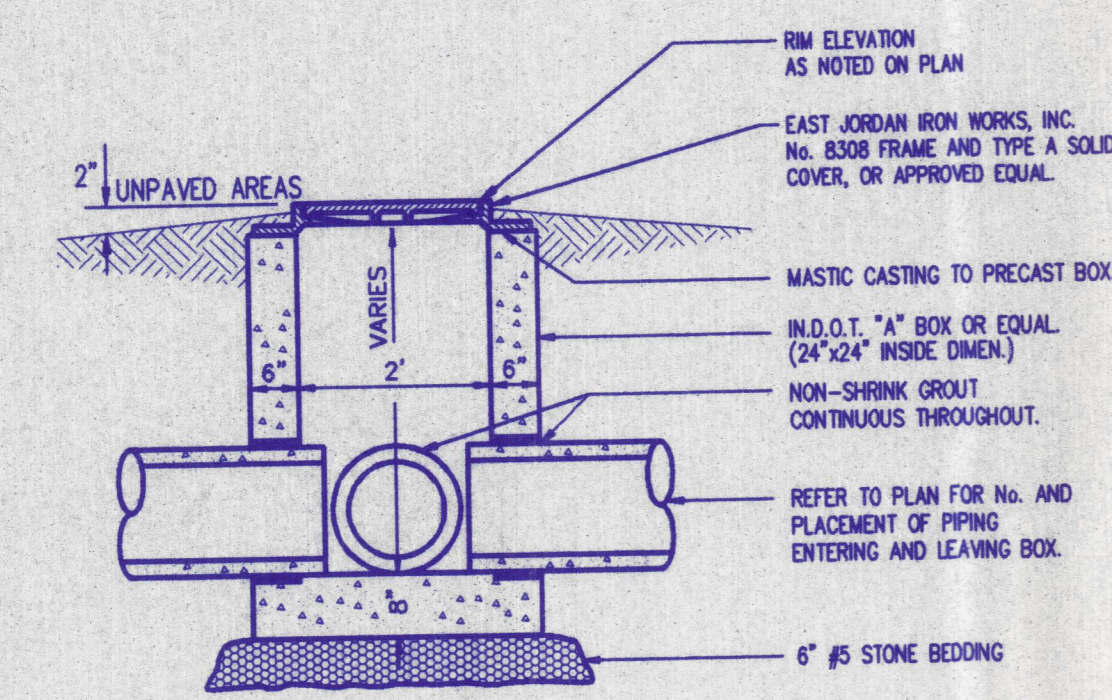


PIPE DIA.	WT (LBS)	WALL	A	B	C	D	E	G	R	SLOPE
12"	530	2"	5"	2'-0"	4'-7/8"	4'-7"	2'-0"	2"	9"	2:1
15"	740	2 1/4"	6"	2'-3"	5'-10"	4'-7"	2'-6"	2 1/4"	11"	2:1
18"	990	2 1/2"	10"	2'-3"	5'-10"	4'-7"	3'-0"	2 1/2"	12"	2:1
24"	1280	2 3/4"	10"	2'-11"	3'-2"	4'-7"	3'-6"	2 3/4"	13"	2:1
24"	1520	3"	10"	3'-7 1/2"	2'-8"	4'-7"	4'-0"	3"	14"	2:1
27"	1930	3 1/4"	10 1/2"	4'-0"	2'-1 1/2"	8'-1 1/2"	4'-7"	3 1/4"	14 1/2"	3:1
30"	2180	3 1/2"	1'-0"	4'-8"	1'-7 3/4"	8'-1 3/4"	5'-0"	3 1/2"	15"	3:1
33"	2600	3 3/4"	1'-1 1/2"	4'-10 1/2"	3'-3 1/4"	8'-1 3/4"	5'-6"	3 3/4"	17 1/2"	3:1
36"	4100	4"	1'-3"	5'-3"	2'-10 3/4"	8'-1 3/4"	6'-0"	4"	20"	3:1
42"	5380	4 1/2"	1'-9"	5'-3"	2'-11"	8'-2"	6'-5"	4 1/2"	22"	3:1
48"	6550	5"	2'-0"	5'-0"	2'-11"	8'-4"	7'-6"	5 1/2"	24"	2:1
54"	8240	5 1/2"	2'-3"	5'-5"	2'-11"	8'-4"	7'-0"	5"	22"	3:1
60"	8730	6"	2'-11"	5'-0"	3'-3"	8'-3"	8'-0"	5"	•	2:1
66"	10710	6 1/2"	2'-6"	5'-0"	2'-3"	8'-3"	8'-5"	5 1/2"	•	2:1
72"	12520	7"	3'-0"	5'-8"	1'-9"	8'-3"	8'-0"	6"	•	1.8E:1
78"	14770	7 1/2"	3'-0"	7'-8"	1'-9"	9'-3"	9'-6"	6 1/2"	•	1.8E:1
84"	18160	8"	3'-0"	7'-4 1/2"	1'-9"	9'-3 1/2"	10'-0"	6 1/2"	•	1.5:1

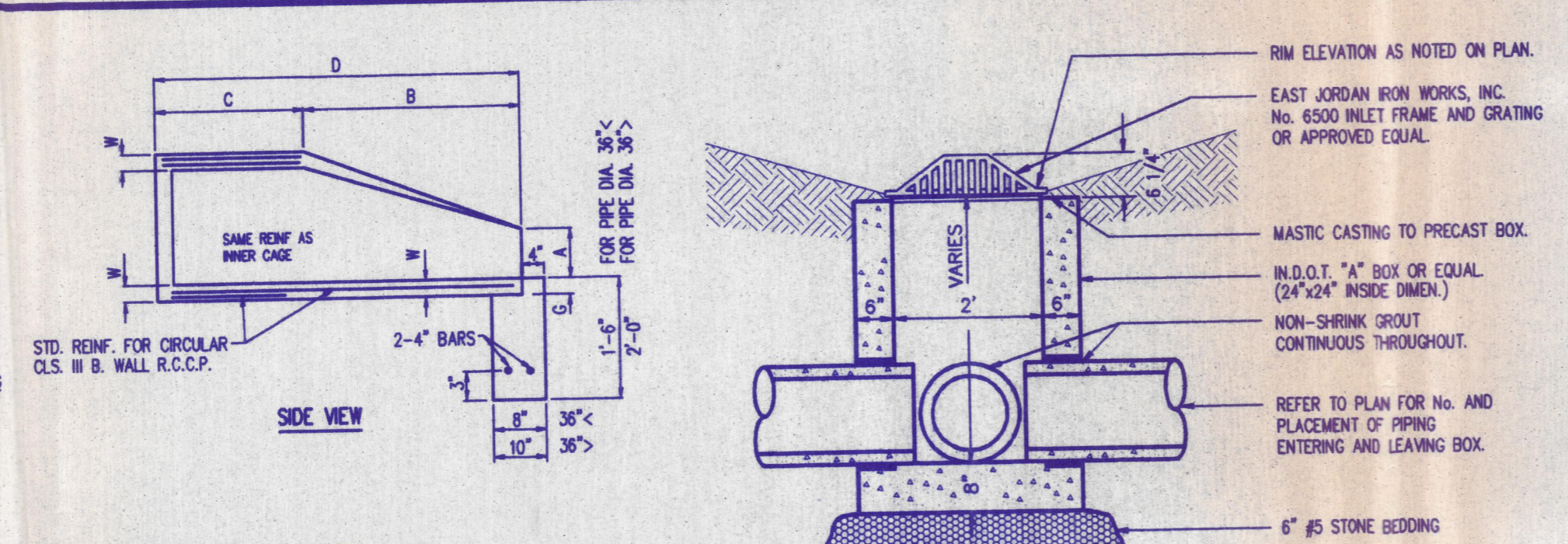
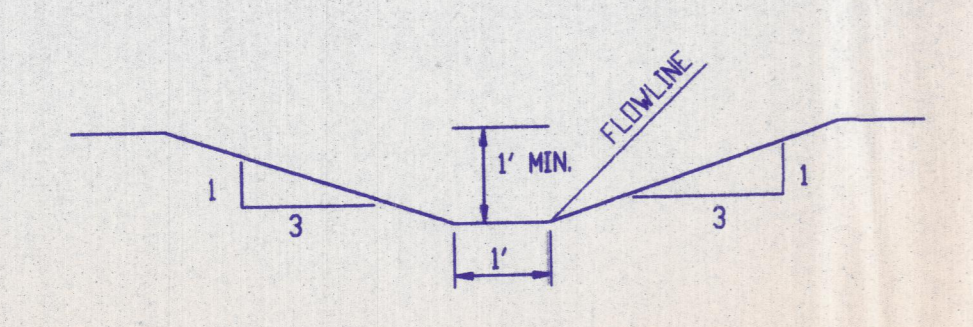
CONCRETE END SECTION DETAIL
NO SCALE



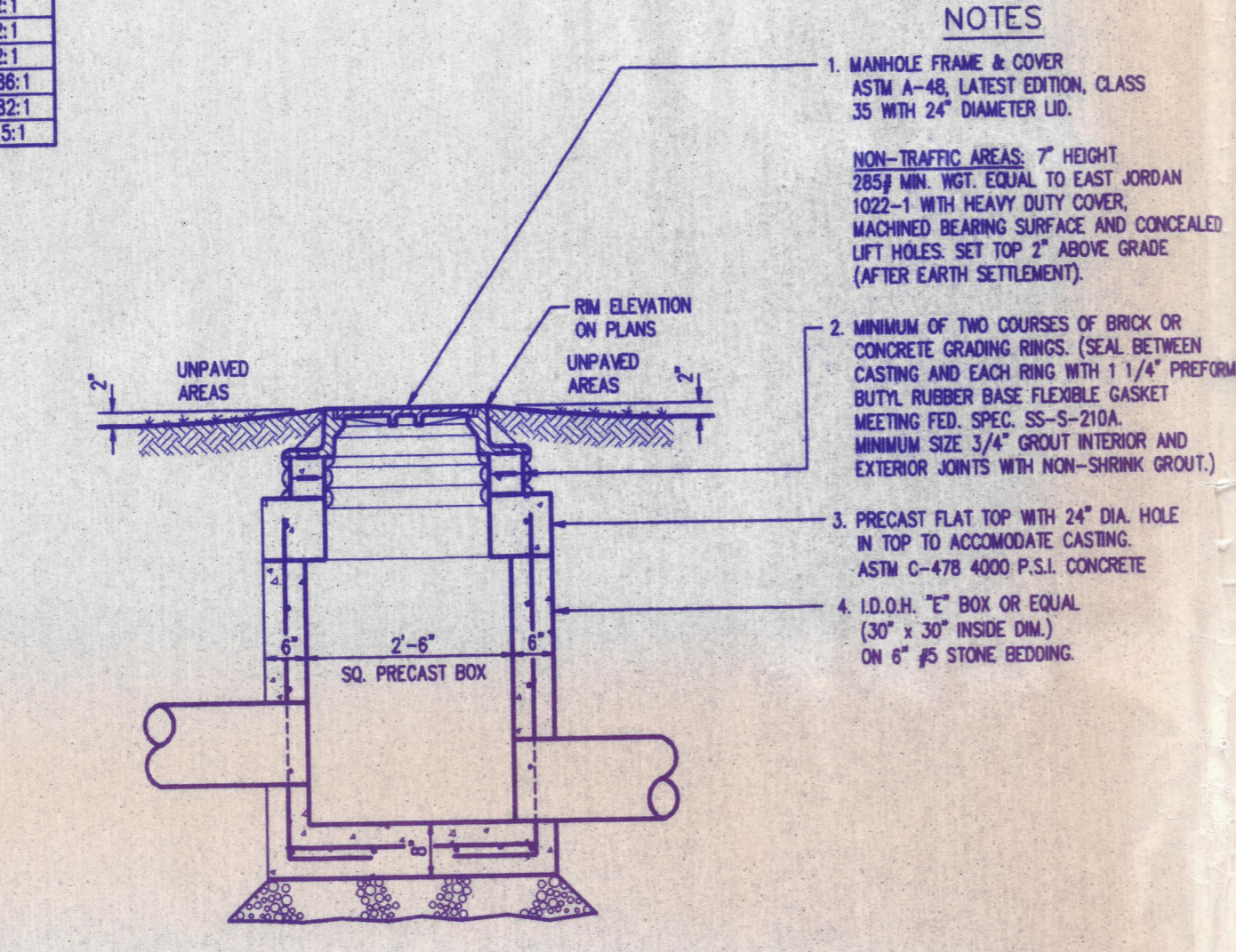
CURB INLET DETAIL
SCALE: 1/2"=1'-0"



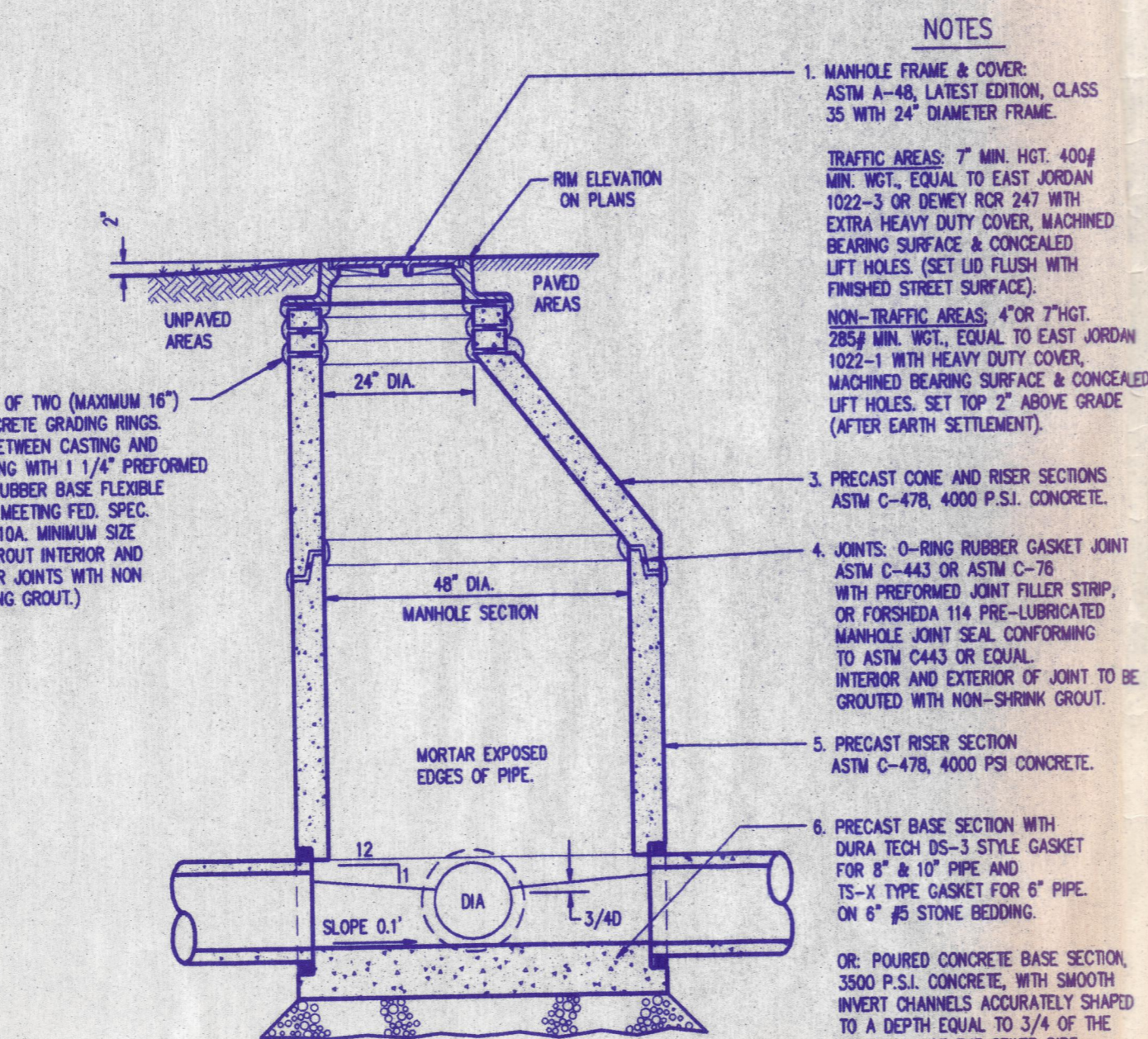
MANHOLE-TYPE "A" DETAIL
SCALE: 1/2"=1'-0"



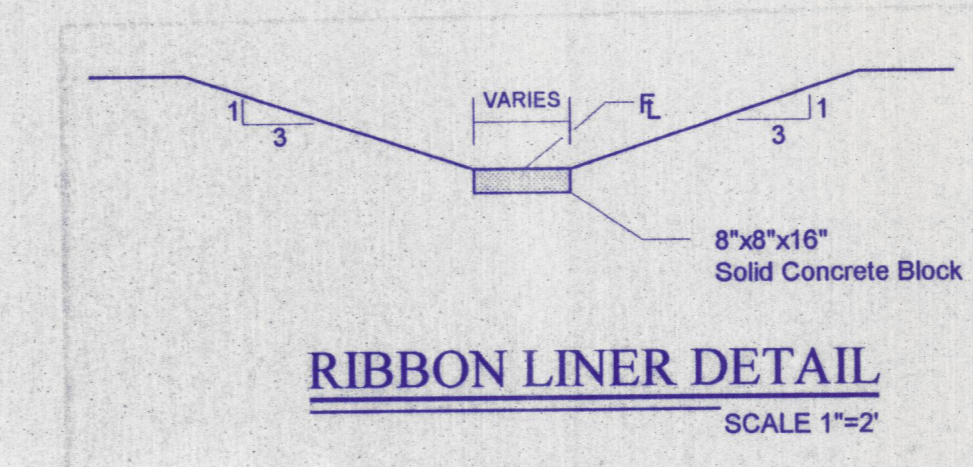
AREA INLET-TYPE "A" DETAIL
SCALE: 1/2"=1'-0"



MANHOLE-TYPE "E" DETAIL
SCALE: 1/2"=1'-0"



MANHOLE-TYPE "48"
SCALE: 1/2"=1'-0"



GENERAL NOTES

- THE FOLLOWING LOCAL GOVERNMENTAL AGENCY SHALL BE NOTIFIED 24 HOURS PRIOR TO BEGINNING WORK AND ON A DAILY BASIS THEREAFTER WHEN PERFORMING THE WORK LISTED BELOW:
STORM SEWERS, STREET SUBGRADE, STREETS
VANDERBURGH COUNTY ENGINEER 435-5773
- **GENERAL SITE**
- WORK COVERS ALL EARTHWORK, SEWERS, PAVING AND OTHER RELATED WORK FOR THE DEVELOPMENT OF "OAKLYNN PARK".
- THE CONTRACTOR SHALL COMPLY WITH ALL LOCAL, STATE AND FEDERAL CODES, ORDINANCES, RULES, REGULATIONS, ORDERS AND OTHER LEGAL REQUIREMENTS OF MUNICIPAL AUTHORITIES WHICH BEAR ON THE PERFORMANCE OF THE WORK.
- ALL FIELD ENGINEERING SHALL BE SUPPLIED BY THE OWNER.
- **EXCAVATING**
- ROADWAY SUBGRADE COMPACTION TESTS SHALL BE PERFORMED AT CONTRACTORS EXPENSE.
- SUFFICIENT SOIL SAMPLES ARE TO BE TAKEN BY THE CONTRACTOR FROM THE ROADWAY SUBGRADE AFTER THE TOPSOIL IS REMOVED OR FROM BORROW AREAS IN ORDER TO OBTAIN ACCURATE PROCTOR VALUES FOR SUBSEQUENT SUBGRADE DENSITY TESTING.
- SUBGRADE IS TO BE COMPACTED IN ACCORDANCE WITH COUNTY HIGHWAY STANDARDS.
- SUBGRADE DENSITY IS TO BE TESTED AT A MINIMUM OF ONE TEST PER SECTION OF ROADWAY CONNECTED BY AN INTERSECTION. OTHERS MAY BE REQUESTED AT THE DISCRETION OF THE INSPECTOR OR ENGINEER.
- DRAWINGS DO NOT REPRESENT A BALANCE BETWEEN BORROW AND FILL MATERIAL.
- **STORM SEWERS**
- STORM DRAINAGE SYSTEM TO BE IN TEMPORARY SERVICE FOR SITE DRAINAGE DURING CONSTRUCTION AND MUST BE CLEANED BEFORE CONSIDERATION FOR MAINTENANCE ACCEPTANCE.
- PRODUCT CERTIFICATIONS OR REPORTS ARE TO BE OBTAINED BY THE CONTRACTOR FROM THE CONCRETE SUPPLIER AND MADE AVAILABLE TO THE COUNTY HIGHWAY ENGINEER'S INSPECTOR OR OFFICE.
- ALL STORM SEWERS SHALL BE CONSTRUCTED IN ACCORDANCE WITH ASTM C 76-79.
- STORM SEWER PIPE SHALL CONFORM TO RCP CLASS III WITH O-RING RUBBER GASKET JOINTS. RUBBER GASKETS SHALL CONFORM TO ASTM C 473-79.
- ALL LENGTHS OF RCP STORM SEWER TERMINATING OR BEGINNING WITH CONCRETE END SECTIONS REFER TO THE DISTANCE FROM THE CENTERLINE OF STRUCTURE TO THE FLOWLINE OF THE CONCRETE END SECTION.
- **PAVEMENT**
- PRODUCT CERTIFICATIONS OR REPORTS ARE TO BE OBTAINED BY THE CONTRACTOR FROM THE CONCRETE SUPPLIER AND MADE AVAILABLE TO THE COUNTY HIGHWAY ENGINEER'S INSPECTOR OR OFFICE.
- ALL CONCRETE TESTS SHALL BE PERFORMED AT CONTRACTOR'S EXPENSE.
- A MINIMUM OF ONE SET (THREE CYLINDERS) OF CONCRETE SAMPLES ARE TO BE TAKEN EACH DAY FOR STRENGTH TESTING. OTHERS MAY BE REQUESTED AT THE DISCRETION OF THE INSPECTOR OR ENGINEER.
- IF NECESSARY, PAVEMENT CORES WILL BE TAKEN AT THE EXPENSE OF CONTRACTOR IN ACCORDANCE WITH IDOH STANDARDS.
- ALL JOINTS AND ANY CRACKS IN THE PAVEMENT SHALL BE FILLED WITH JOINT SEALER.

STORM STRUCTURE TABLE

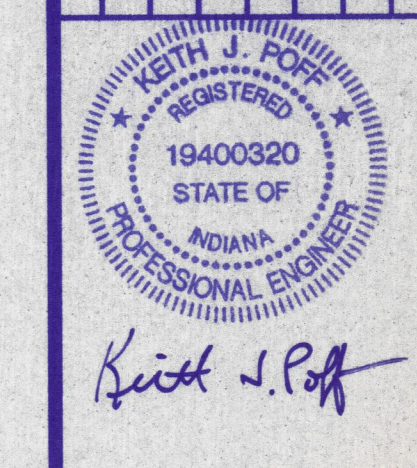
DESIGNATION	STRUCTURE TYPE	CASTING	COVER/GRATE
600	M.H.-TYPE "A"	E.J. 8308	A
601	C.I.-TYPE "J"	E.J. 7030	M4
602	C.I.-TYPE "J"	E.J. 7030	M4
603	C.I.-TYPE "J"	E.J. 7030	M4
604	C.I.-TYPE "J"	E.J. 7030	M4
605	18" CONC. END SEC.		
606	C.I.-"J" BOX	E.J. 7030	M3
607	C.I.-"J" BOX	E.J. 7030	M3
608	15" CONC. END SEC.		
609	C.I.-"J" BOX	E.J. 7030	M3
610	C.I.-"J" BOX	E.J. 7030	M3
611	15" CONC. END SEC.		
612	C.I.-"J" BOX	E.J. 7030	M3
613	C.I.-"J" BOX	E.J. 7030	M3
614	15" CONC. END SEC.		
615	C.I.-"J" BOX	E.J. 7030	M3
616	C.I.-"J" BOX	E.J. 7030	M3
626	M.H.-TYPE "A"	E.J. 8308	A
625	C.I.-"J" BOX	E.J. 7030	M3
624	C.I.-"J" BOX	E.J. 7030	M3
623	M.H.-TYPE "A"	E.J. 8308	A
622	M.H.-TYPE "A"	E.J. 8308	A
617	C.I.-"J" BOX	E.J. 7030	M3
618	C.I.-"J" BOX	E.J. 7030	M3
634	M.H.-TYPE "A"	E.J. 8308	A
619	21" CONC. END SEC.		
620	27" CONC. END SEC.		
621	27" CONC. END SEC.		
627	M.H.-TYPE "A"	E.J. 6500	
628	24" CONC. END SEC.		
629	29"x45" CONC. END SEC.		
630	M.H.-"CAST IN PLACE"	E.J. 8333	GRATE
631	29"x45" CONC. END SEC.		
632	C.I.-"J" BOX	E.J. 7030	M4
633	C.I.-"J" BOX	E.J. 7030	M4

Within dimensions on these drawings shall have precedence over scale dimensions. Contractors shall verify and be responsible for all dimensions and conditions on the job and SITECON, Inc. shall not be responsible for any errors or omissions from the drawings and conditions shown by these drawings.

SITECON, Inc.
Engineers-Surveyors
600 S.E. Eighth Street Suite 2
Evansville, Indiana 47713
(812) 423-2320

Project: **OAKLYNN PARK**
Sheet Title: **STORM DETAIL SHEET**

No.	By	Date	Description



Scale: AS NOTED
Designed By: KJP Job Number: 1-94-7-1
Drawn By: JDW Date: 12-12-94
Checked By: Fleno: STORDET.DWG
Sheet Number: **DE-3**