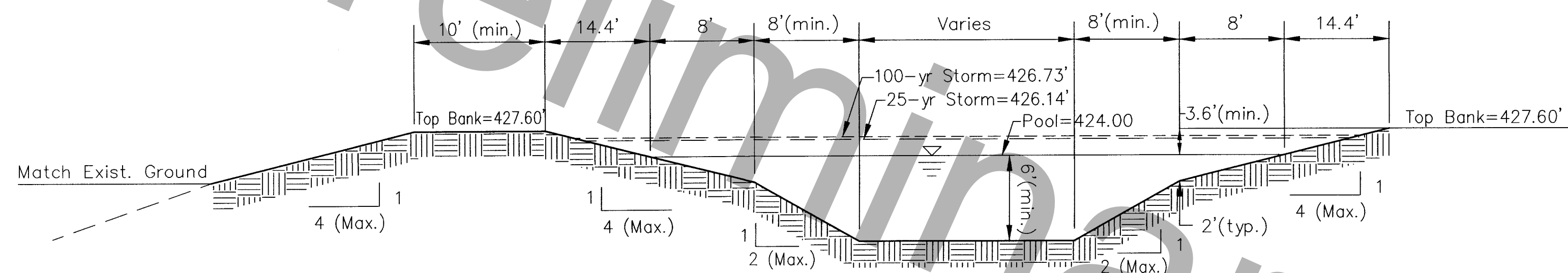
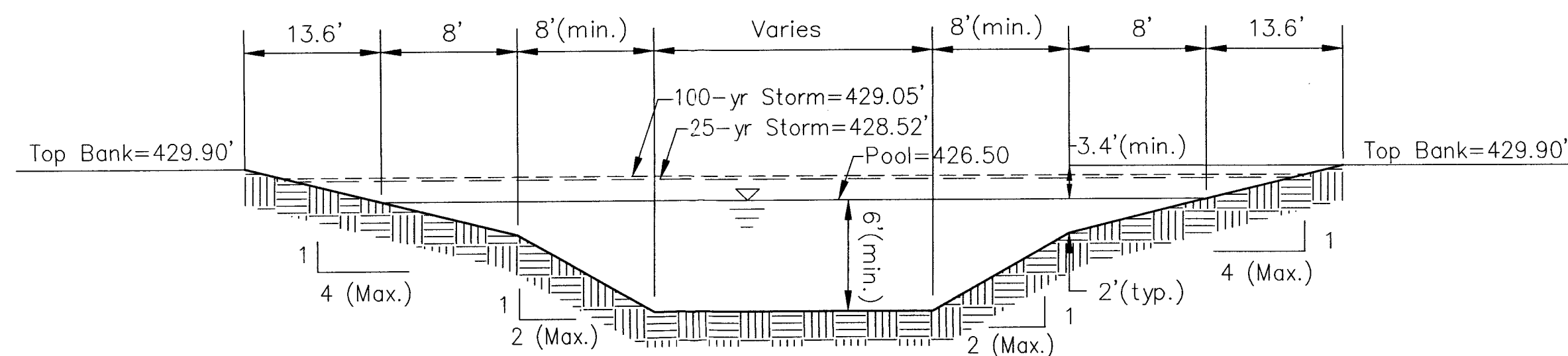


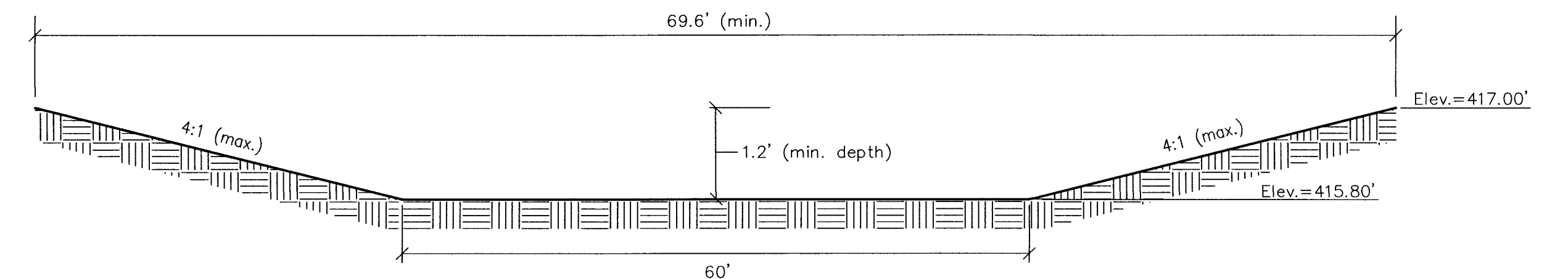
DETENTION BASIN #1 CROSS SECTION A-A
Scale: N.T.S.



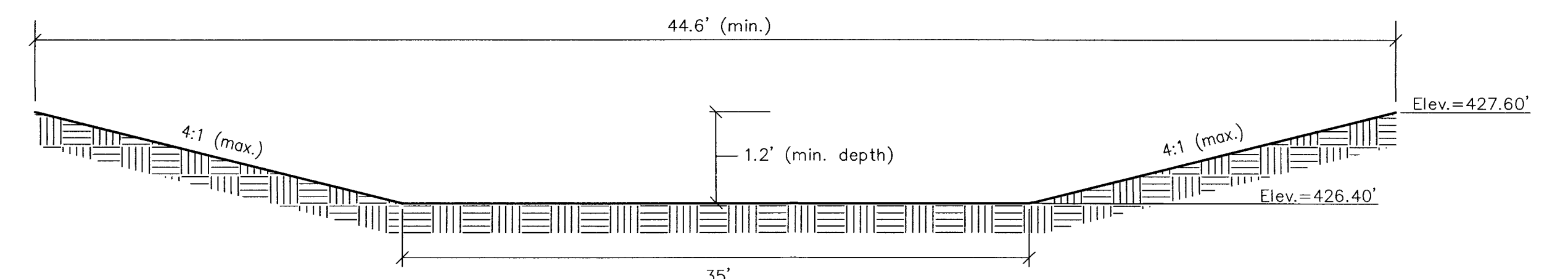
DETENTION BASIN #2 CROSS SECTION B-B
Scale: N.T.S.



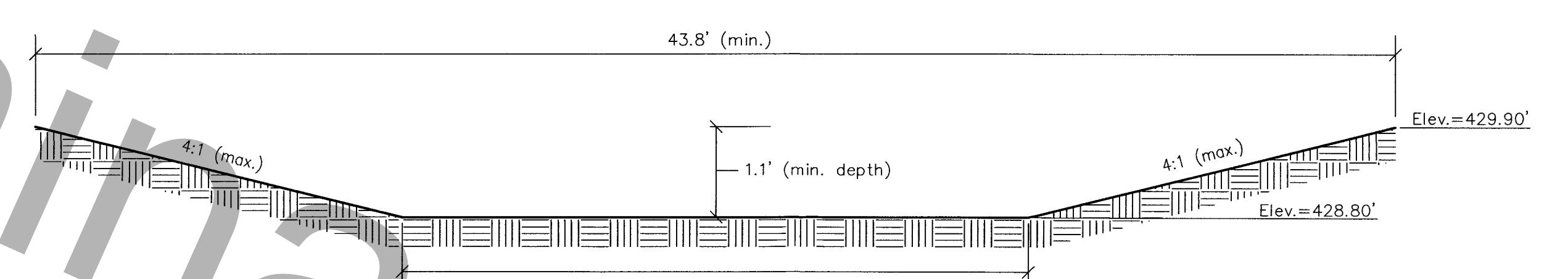
DETENTION BASIN #3 CROSS SECTION C-C
Scale: N.T.S.



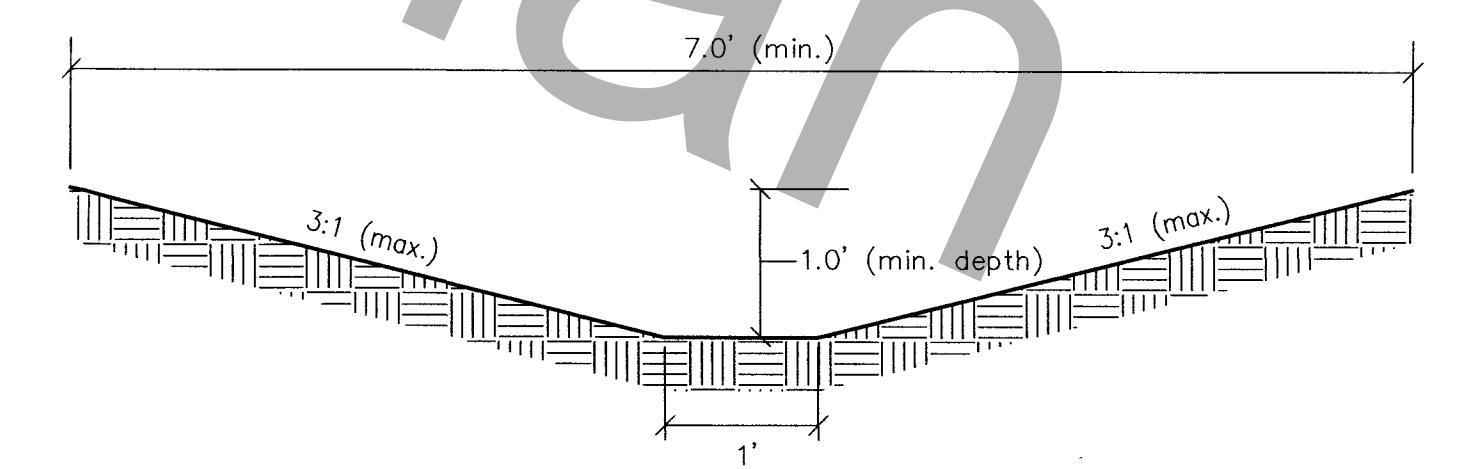
**DETENTION BASIN #1
EMERGENCY SPILLWAY CROSS-SECTION**
Scale: N.T.S.



**DETENTION BASIN #2
EMERGENCY SPILLWAY CROSS-SECTION**
Scale: N.T.S.



**DETENTION BASIN #3
EMERGENCY SPILLWAY CROSS-SECTION**
Scale: N.T.S.

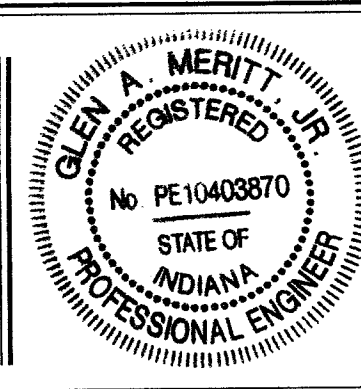


TYPICAL SWALE CROSS-SECTION
Scale: N.T.S.

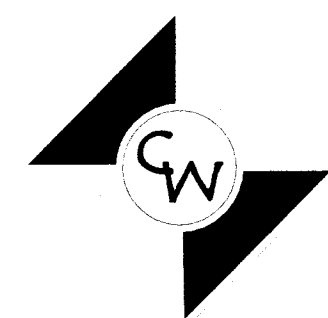
This drawing and/or specifications is provided as an instrument of service provided by Cash Wagner & Associates, PC and is intended for use on this project only. All drawings, specifications, designs, models, ideas, calculations, and arrangements appearing herein constitute the original and unpublished work of and remains the property of Cash Wagner & Associates, PC. Any reproduction, use or disclosure of the proprietary information contained herein without the prior written consent of the Cash Wagner & Associates, PC is strictly prohibited.

Written dimensions shown hereon shall take precedence over scaled dimensions. Contractors shall calculate and measure required dimensions. Notify Cash Wagner & Associates, PC with any variations in dimensions or conditions from those indicated on these drawings. This drawing was based on available information. Commencement of Work constitutes verification and acceptance of existing conditions.

Application of a material or equipment to Work installed by others constitutes acceptance of that Work and assumption of responsibility for satisfactory installation.



Glen A. Meritt
SIGNATURE
10 June 20
DATE



**CASH WAGNER
& ASSOCIATES, PC**

414 CITADEL CIRCLE
SUITE B
EVANSVILLE, IN 47715
PH: 812.401.5561
FAX: 812.401.5563
CELL: 812.774.2988
E-MAIL: GMERITT@CASHWAGNER.COM

NO.	DATE	BY	DESCRIPTION

PROJECT NO.: 20-4242
DESIGNED BY:
DRAWN BY: G.A.M.
FILENAME: 4242 DrainageDtls
LAYOUT TAB:
SCALE: As Shown

PROJECT: MCCUTCHAN TRACE
ADDRESS: PETERSBURG ROAD
EVANSVILLE, INDIANA
SHEET TITLE: DRAINAGE DETAILS

DATE: 06.10.20
DRAWING NO.: C-119

REVIEWED BY: [Signature]
DATE: 6-11-20
OFFICE: [Signature]