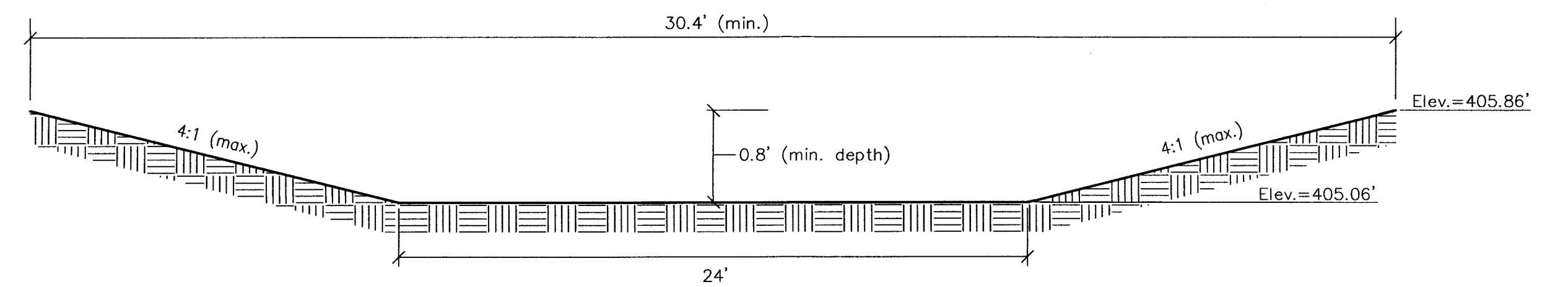


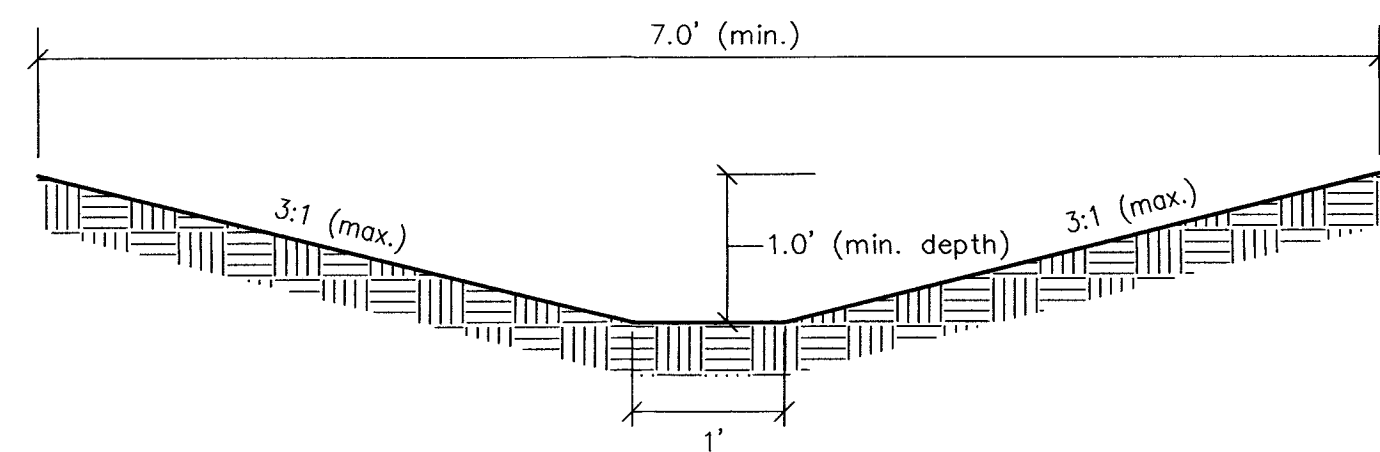
EMERGENCY SPILLWAY BETWEEN LOTS 4 & 5 CROSS-SECTION

Scale: N.T.S.



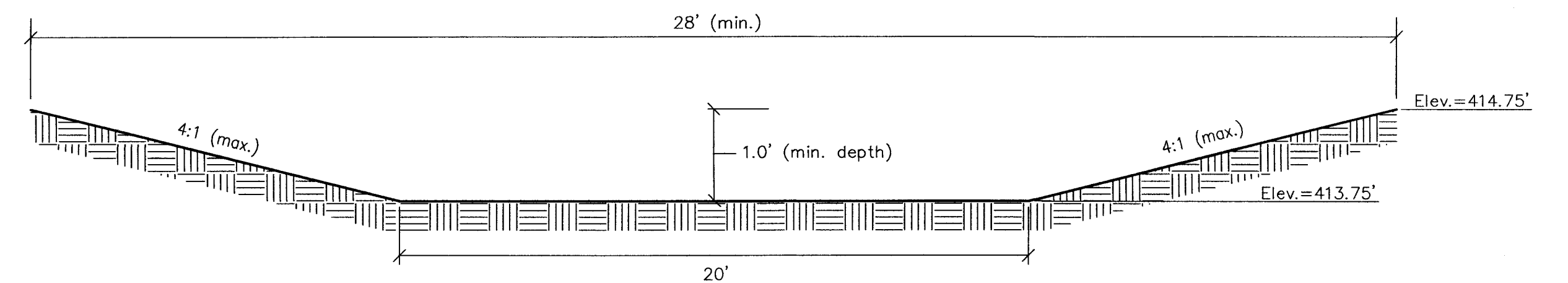
**DETENTION BASIN #1
EMERGENCY SPILLWAY CROSS-SECTION**

Scale: N.T.S.



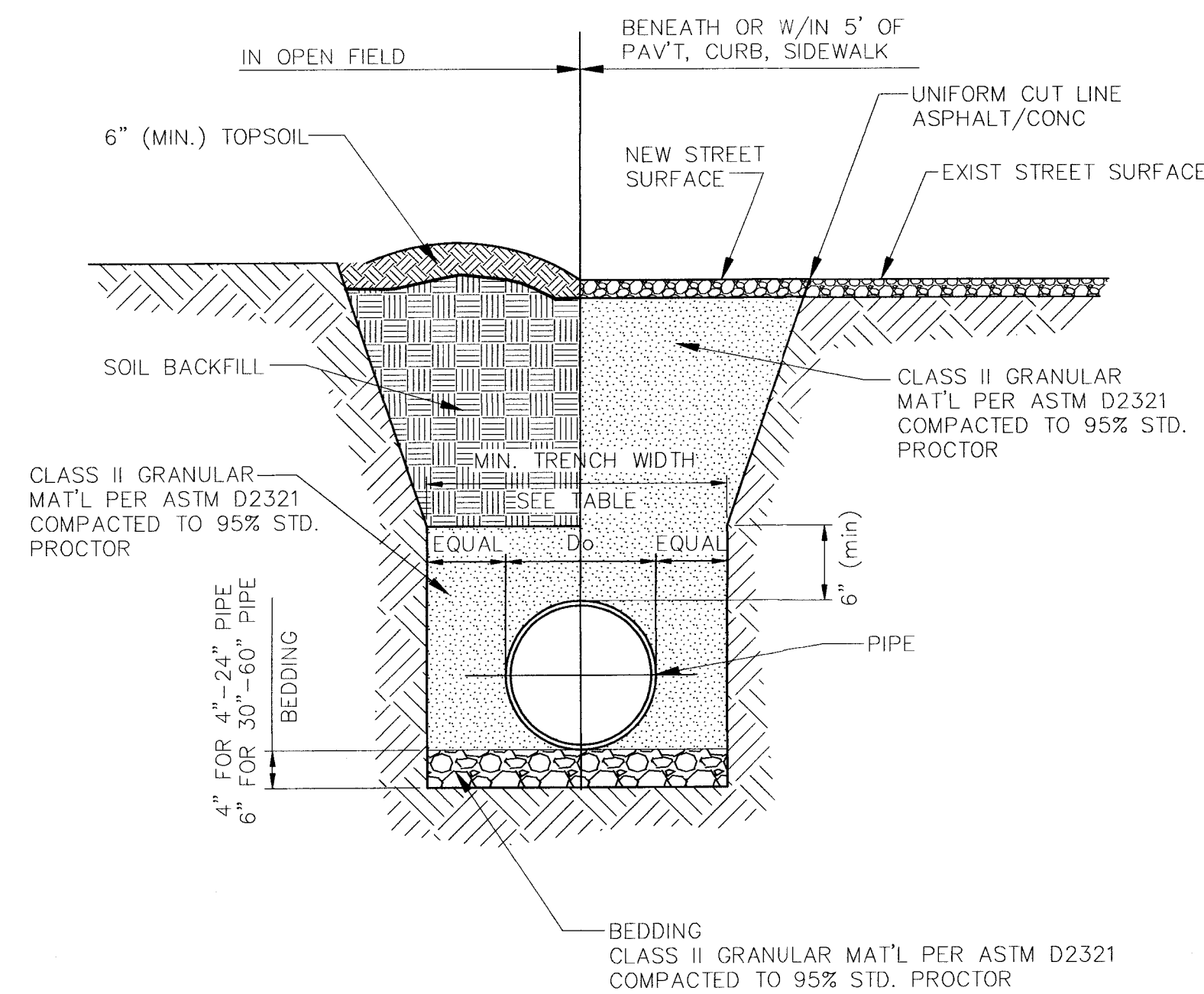
TYPICAL SWALE CROSS-SECTION

Scale: N.T.S.



**DETENTION BASIN #2
EMERGENCY SPILLWAY CROSS-SECTION**

Scale: N.T.S.



TRENCH WIDTH TABLE

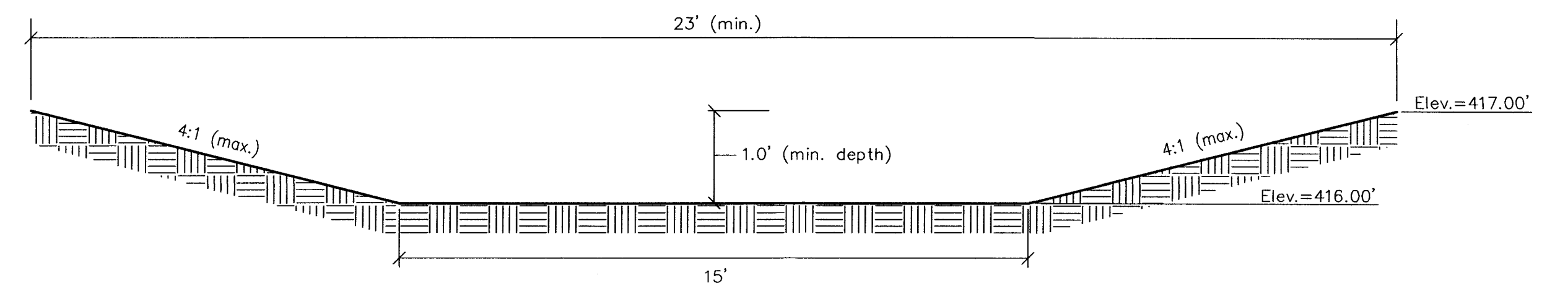
PIPE Ø	MIN WIDTH
4"	1'-9"
6"	1'-11"
8"	2'-2"
10"	2'-4"
12"	2'-6"
15"	2'-10"
18"	3'-3"
24"	4'-0"
30"	4'-8"
36"	5'-4"
42"	6'-0"
48"	6'-8"
54"	7'-4"
60"	8'-0"

NOTES:

1. NEW STREET SURFACE SHALL COMPLY WITH LOCAL AUTHORITY JURISDICTION.
2. TRENCH WALLS TO BE SUPPORTED AS REQUIRED BY OSHA.

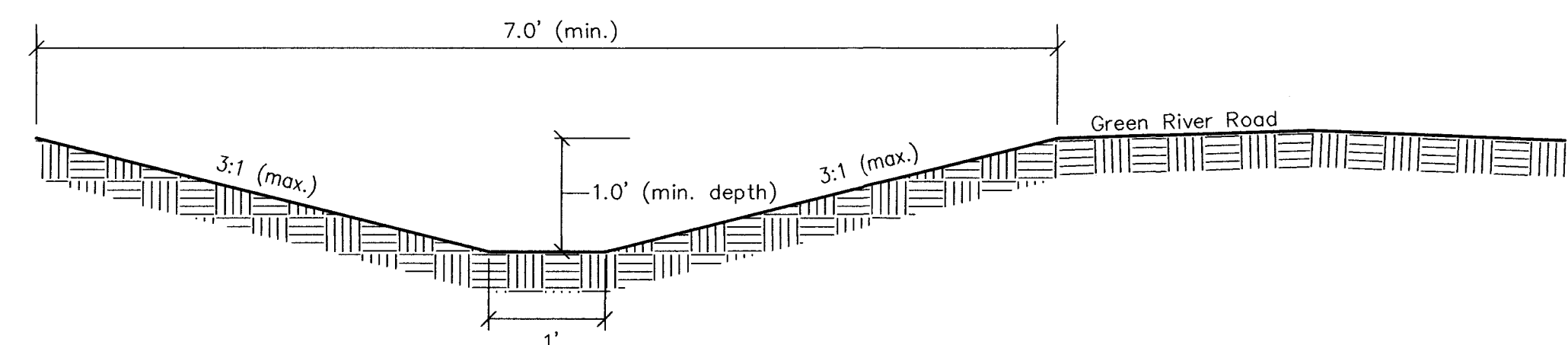
**TYPICAL TRENCH SECTION
C-900 PVC**

N.T.S.



**DETENTION BASIN #3
EMERGENCY SPILLWAY CROSS-SECTION**

Scale: N.T.S.



**TYPICAL SWALE CROSS-SECTION
ALONG GREEN RIVER ROAD**

Scale: N.T.S.

APPROVED
OCT 30 2018
VANDERBURGH COUNTY
DRAINAGE BOARD
RECEIVED BY THE
VANDERBURGH COUNTY
SURVEYOR'S OFFICE
10-24-18

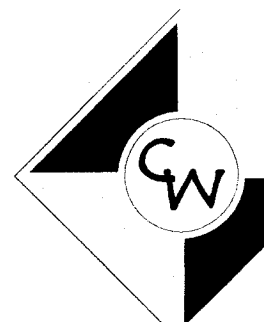
This drawing and/or specifications is provided as an instrument of service provided by Cash Wagner & Associates, PC and is intended for use on the project only. All drawings, specifications, designs, models, ideas, calculations, and arrangements appearing herein constitute the original and unpublished work of and remain the property of Cash Wagner & Associates, PC. Any reproduction, use or disclosure of the proprietary information contained herein without the prior written consent of the Cash Wagner & Associates, PC is strictly prohibited.

Written dimensions shown hereon shall take precedence over scaled dimensions. Contractors shall calculate and measure required dimensions. Notify Cash Wagner & Associates, PC with any variations in dimensions or conditions from those indicated on these drawings. This drawing was based on available information. Commencement of Work constitutes verification and acceptance of existing conditions.

Application of a material or equipment to Work installed by others constitutes acceptance of that Work and assumption of responsibility for satisfactory installation.



Glenn A. Merritt
SIGNATURE
24 Oct 18
DATE



**CASH WAGNER
& ASSOCIATES, PC**

414 CITADEL CIRCLE
SUITE B
EVANSVILLE, IN 47715
PH: 812.401.5561
FAX: 812.401.5563
CELL: 812.774.2988
E-MAIL: GMERRIT@CASHWAGNER.COM

NO.	DATE	BY	DESCRIPTION
1	10.24.18	G.A.M.	Added pipe to Lot 4 & 5 emerg. spillway cross section; added typical swale cross section along Green River Rd; revised basin #1 emergency spillway

PROJECT NO.:	18-3339
DESIGNED BY:	G.A.M.
DRAWN BY:	G.A.M.
FILENAME:	3339 DrainageDtls
LAYOUT TAB:	
SCALE:	As Shown

PROJECT: **MAGNOLIA RIDGE**
ADDRESS: **NORTH GREEN RIVER ROAD
EVANSVILLE, INDIANA**
SHEET TITLE: **DRAINAGE DETAILS
- SHEET #2**

DATE: **09.21.18**
DRAWING NO.: **C-124**
OF: