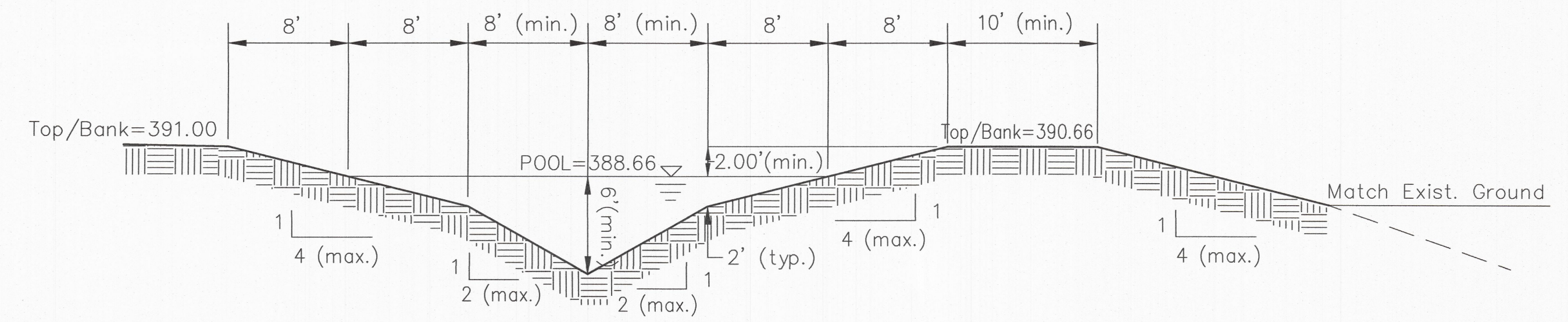
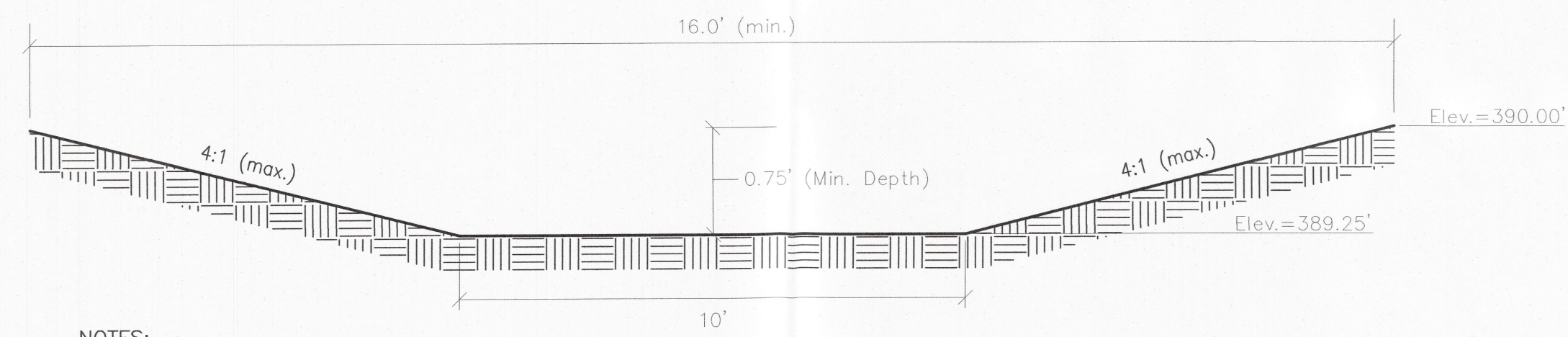


**DETENTION BASIN #1 CROSS SECTION A-A**  
Scale: N.T.S.

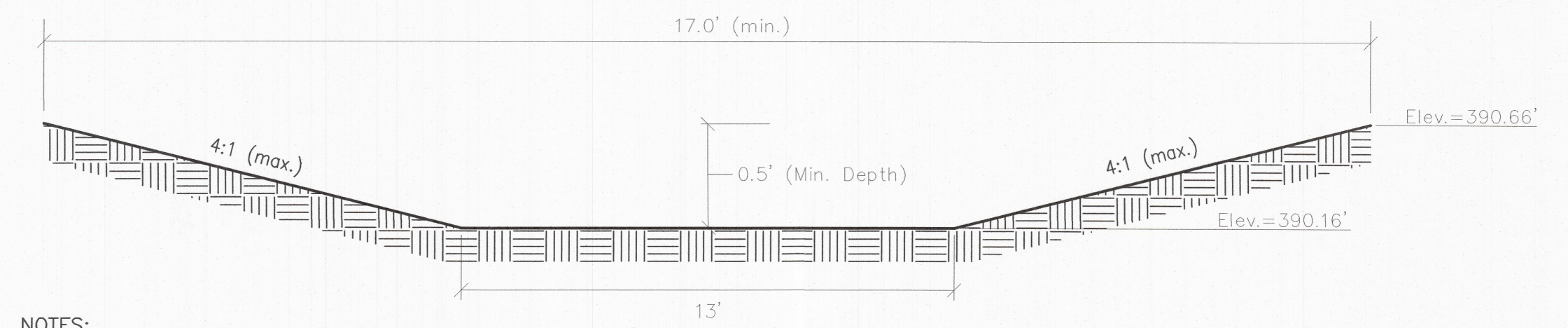


**DETENTION BASIN #2 CROSS SECTION B-B**  
Scale: N.T.S.



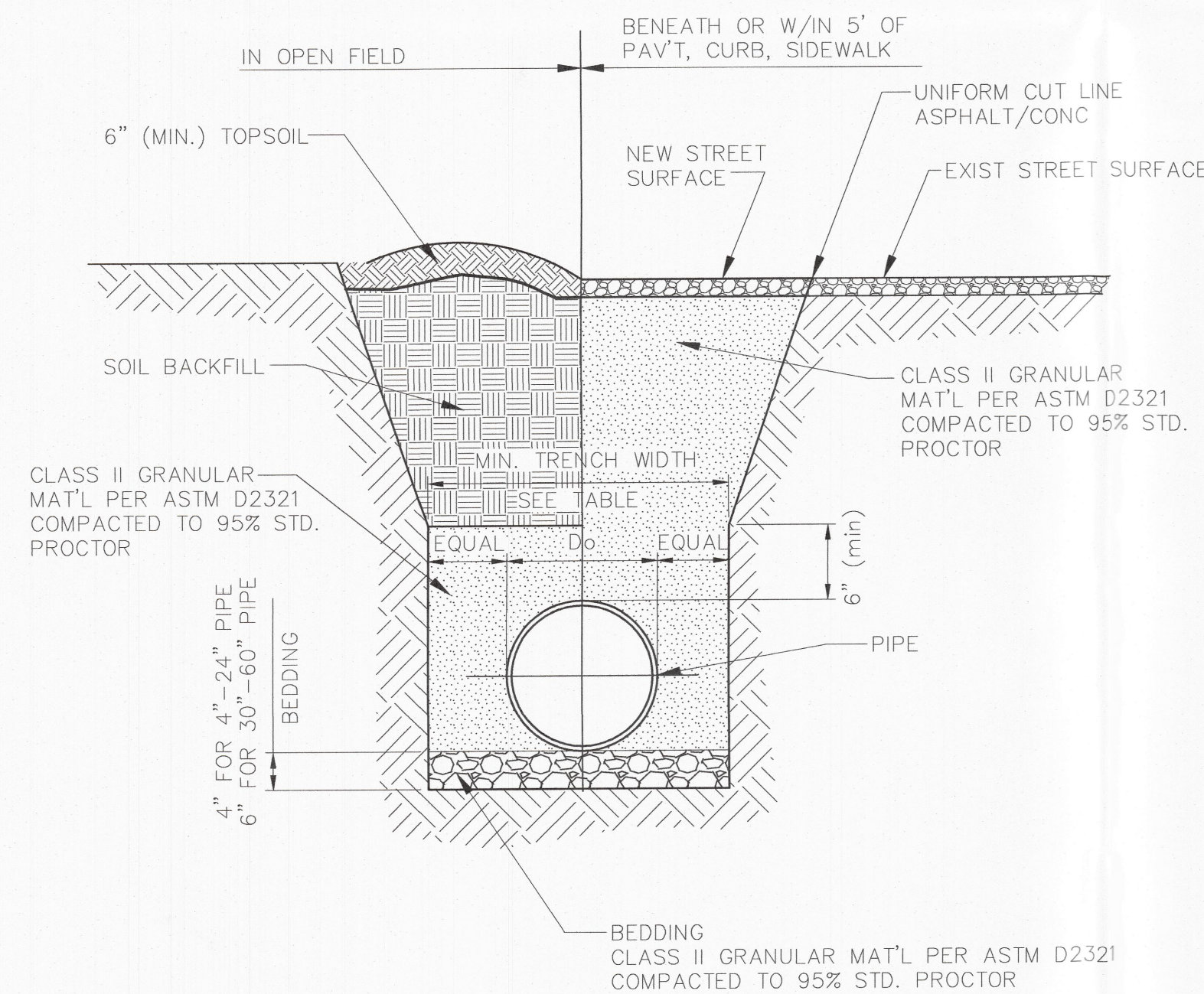
NOTES:  
1. A 2% slope or greater is required for the emergency spillway.

**DETENTION BASIN #1  
EMERGENCY SPILLWAY CROSS-SECTION**  
Scale: N.T.S.



NOTES:  
1. A 5% slope or greater is required for the emergency spillway.

**DETENTION BASIN #2  
EMERGENCY SPILLWAY CROSS-SECTION**  
Scale: N.T.S.

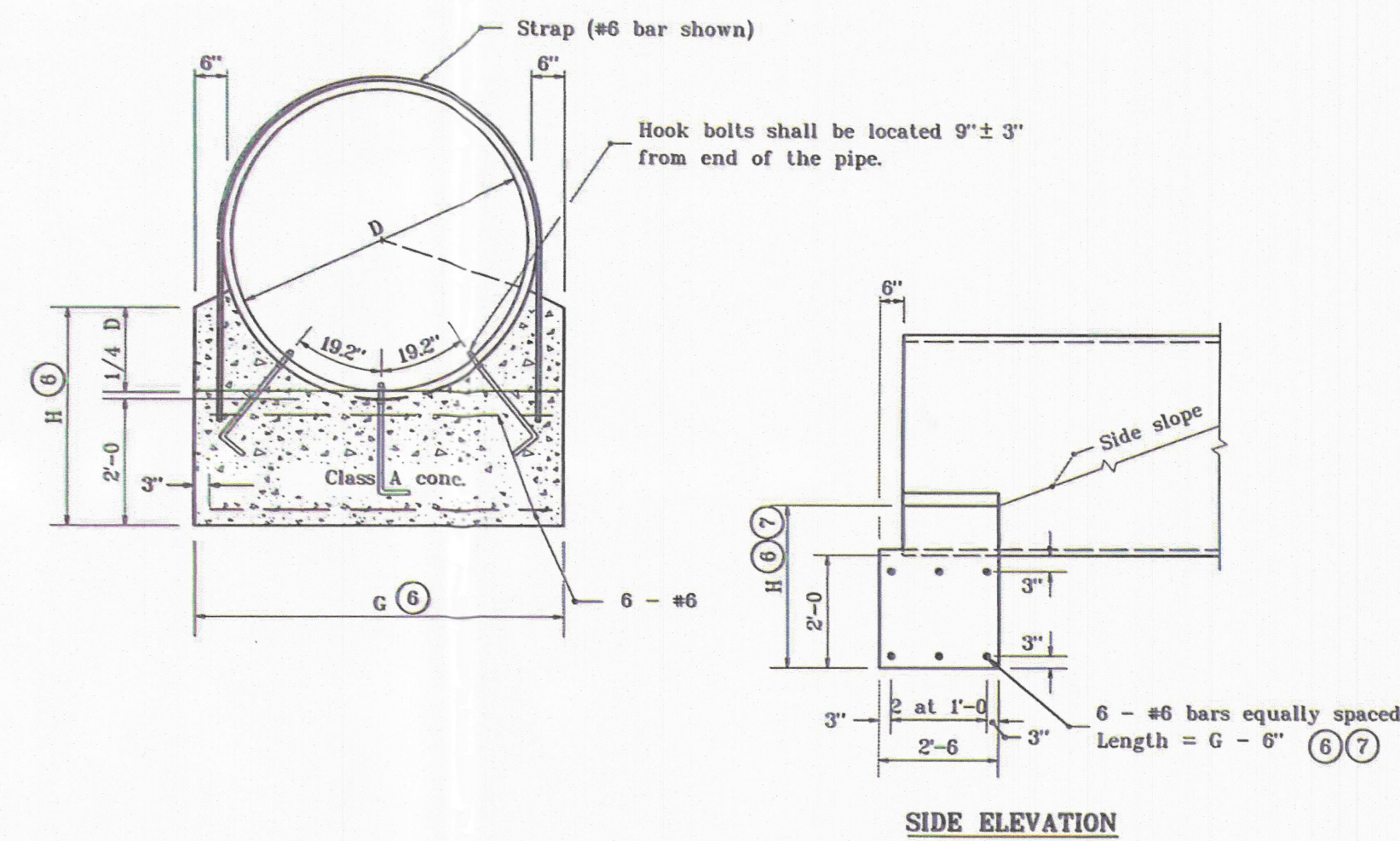


**TRENCH WIDTH TABLE**

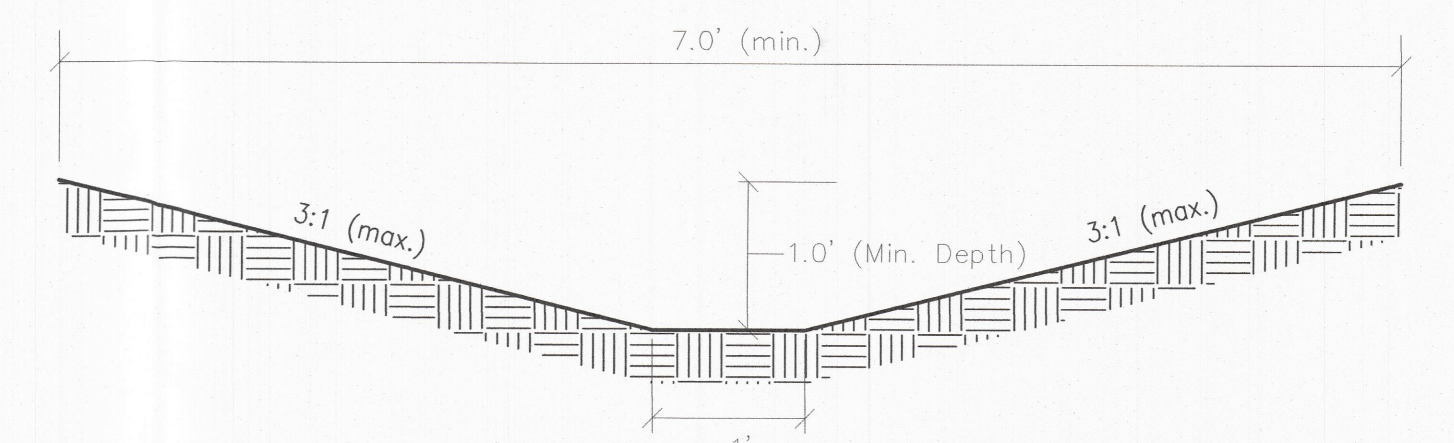
PIPE Ø	MIN WIDTH
4"	1'-9"
6"	1'-11"
8"	2'-2"
10"	2'-4"
12"	2'-6"
15"	2'-10"
18"	3'-3"
24"	4'-0"
30"	4'-8"
36"	5'-4"
42"	6'-0"
48"	6'-8"
54"	7'-4"
60"	8'-0"

NOTES:  
1. NEW STREET SURFACE SHALL COMPLY WITH LOCAL AUTHORITY JURISDICTION.  
2. TRENCH WALLS TO BE SUPPORTED AS REQUIRED BY OSHA.

**TYPICAL TRENCH SECTION  
N-12 HDPE**



**CONCRETE PIPE ANCHOR**  
Scale: N.T.S.

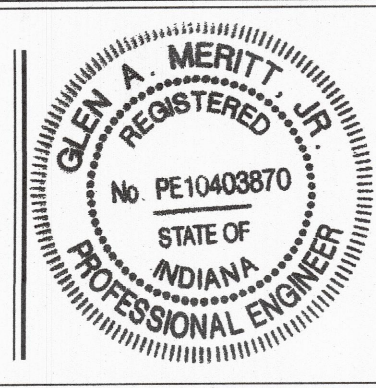


**TYPICAL SWALE CROSS-SECTION**  
Scale: N.T.S.

This drawing and/or specifications is provided as an instrument of service provided by Cash Wagner & Associates, PC and is intended for use on this project only. All drawings, specifications, designs, models, ideas, calculations, and arrangements appearing herein constitute the original and unpublished work of and remain the property of Cash Wagner & Associates, PC. Any reproduction, use or disclosure of the proprietary information contained herein without the prior written consent of the Cash Wagner & Associates, PC is strictly prohibited.

Written dimensions shown hereon shall take precedence over scaled dimensions. Contractors shall calculate and measure required dimensions. Notify Cash Wagner & Associates, PC with any variations in dimensions or conditions from those indicated on these drawings. This drawing was based on available information. Commencement of work constitutes verification and acceptance of existing conditions.

Application of a material or equipment to work installed by others constitutes acceptance of that work and assumption of responsibility for satisfactory installation.



*G. Merritt*  
SIGNATURE  
12 Feb 18  
DATE



NO.	DATE	BY	DESCRIPTION

PROJECT NO.: 14-1838  
DESIGNED BY: G.A.M.  
DRAWN BY: G.A.M.  
FILENAME: 1838 DrainageDtls  
LAYOUT TAB:  
SCALE: As Shown

PROJECT: GREEN RIVER MEADOWS  
ADDRESS: GREEN RIVER ROAD  
EVANSVILLE, INDIANA  
SHEET TITLE: DRAINAGE DETAILS

DATE: 02.12.18  
DRAWING NO.: G-112  
OR:

RECEIVED BY THE  
VANDERBURGH COUNTY  
SURVEYOR'S OFFICE  
5-18-2021  
8:00AM  
AR