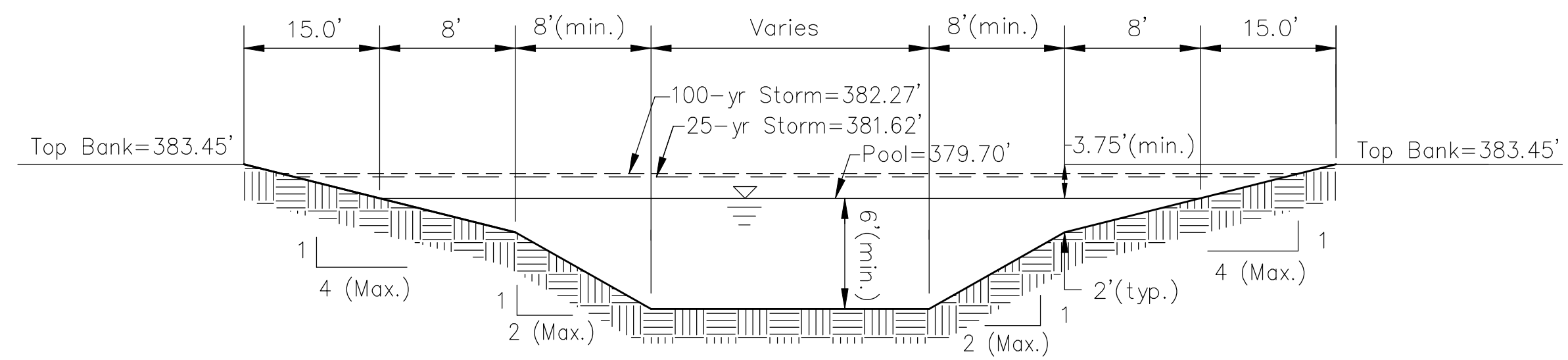


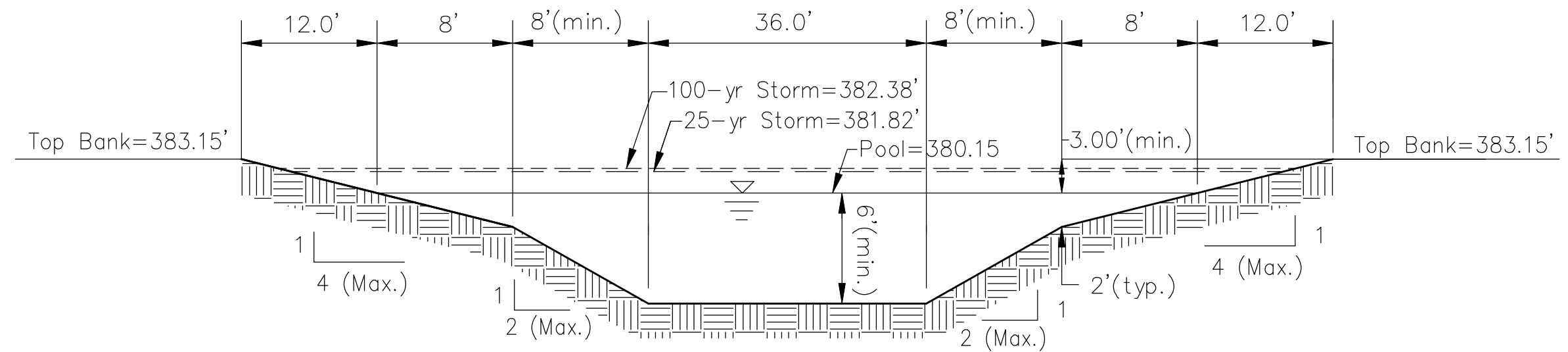
**DETENTION BASIN #1 CROSS SECTION A-A**

Scale: N.T.S.



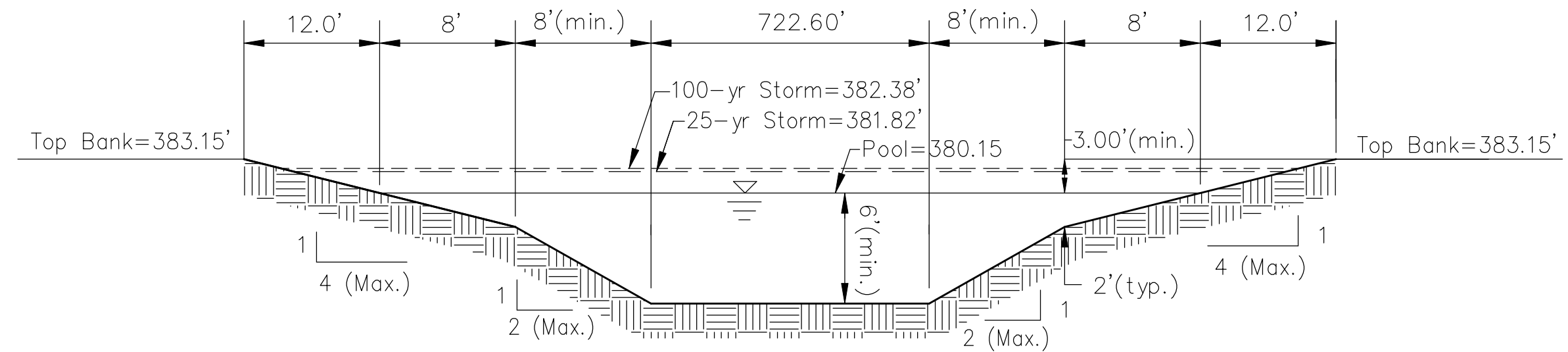
**DETENTION BASIN #1 CROSS SECTION B-B**

Scale: N.T.S.



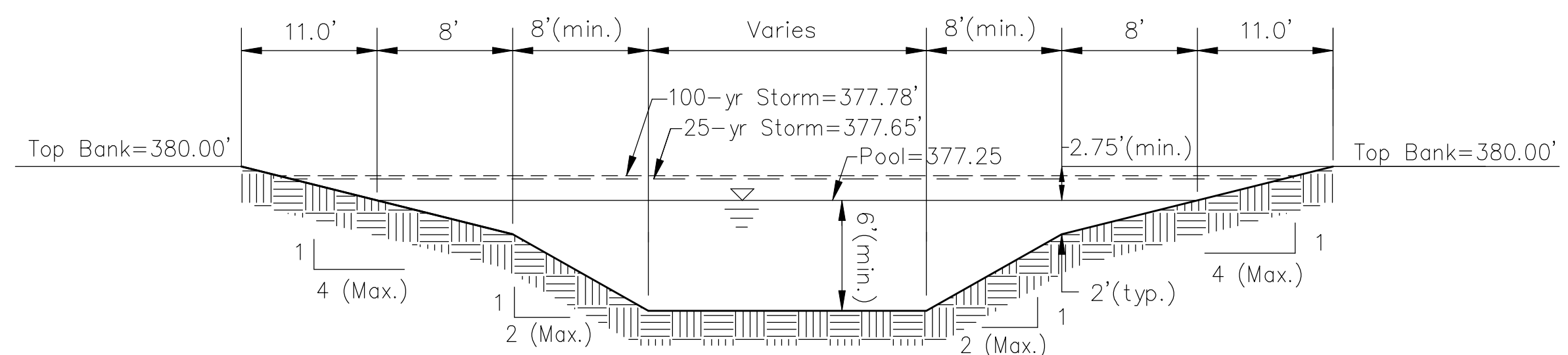
**DETENTION BASIN #2 CROSS SECTION G-G**

Scale: N.T.S.



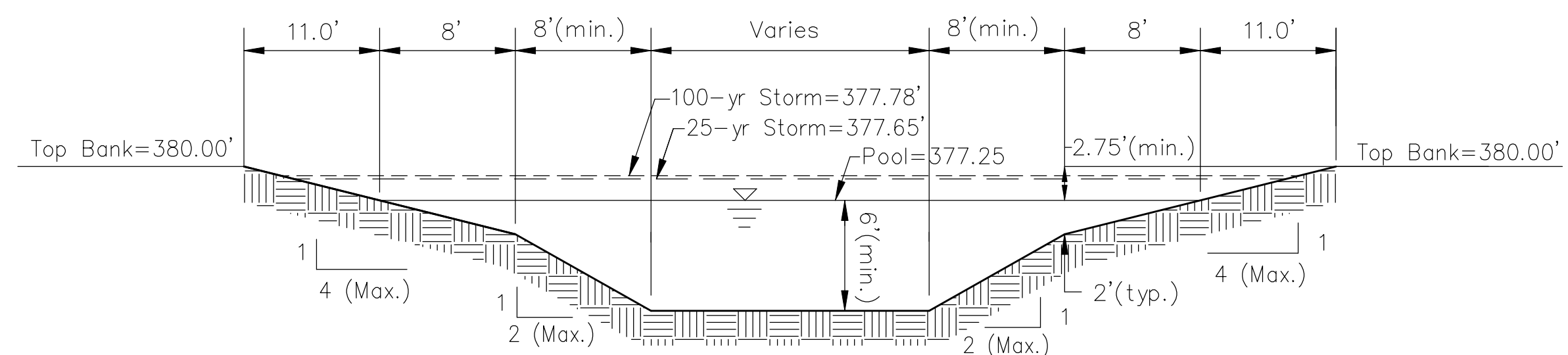
**DETENTION BASIN #2 CROSS SECTION H-H**

Scale: N.T.S.



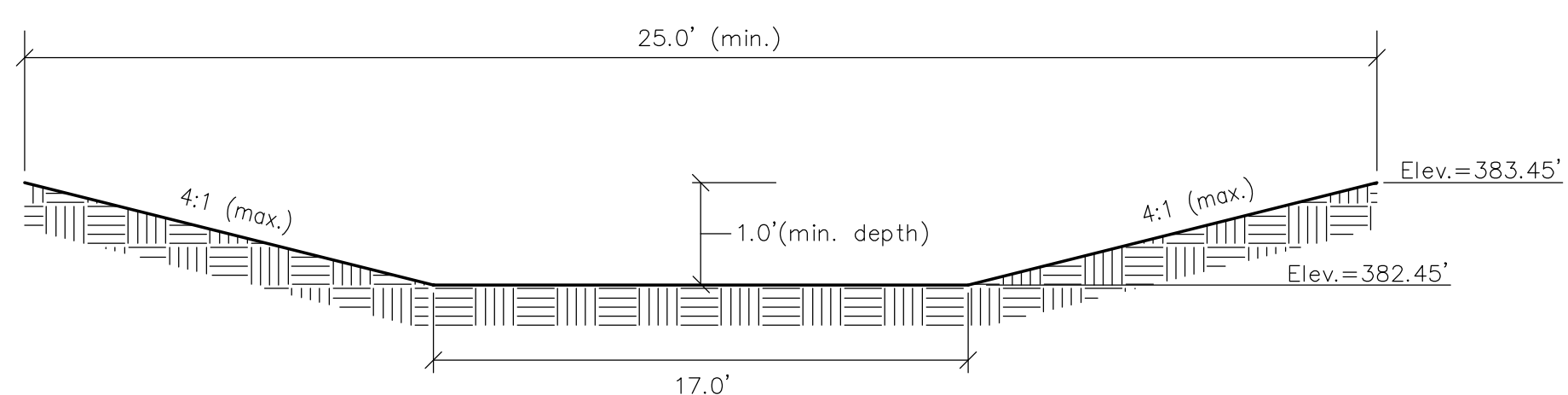
**DETENTION BASIN #3 CROSS SECTION E-E**

Scale: N.T.S.



**DETENTION BASIN #3 CROSS SECTION F-F**

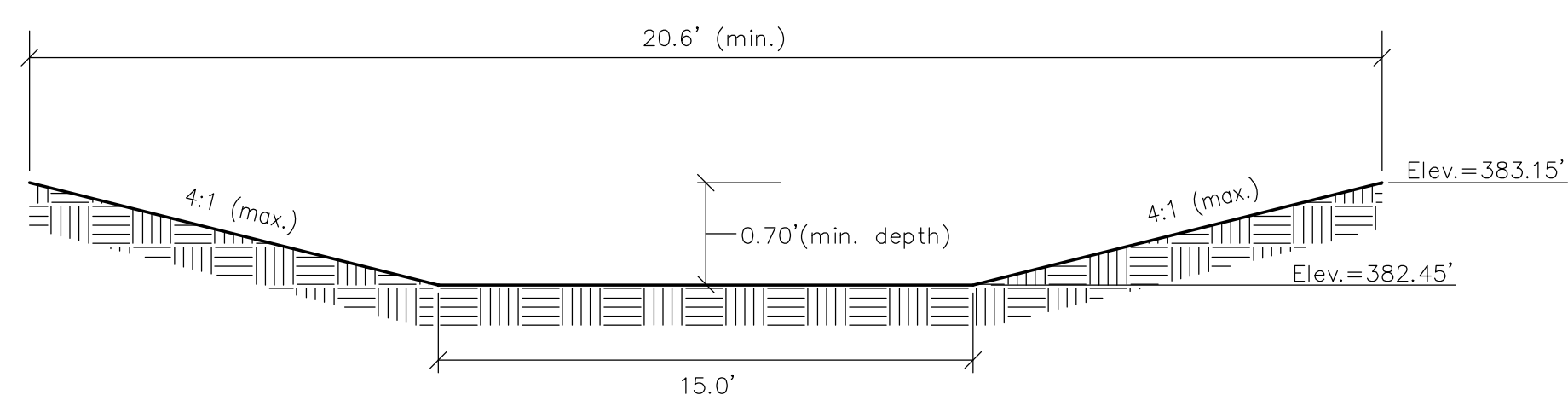
Scale: N.T.S.



**Notes:**  
1. A 2.00% slope or greater is required for the emergency spillway.

**DETENTION BASIN #1  
EMERGENCY SPILLWAY CROSS-SECTION**

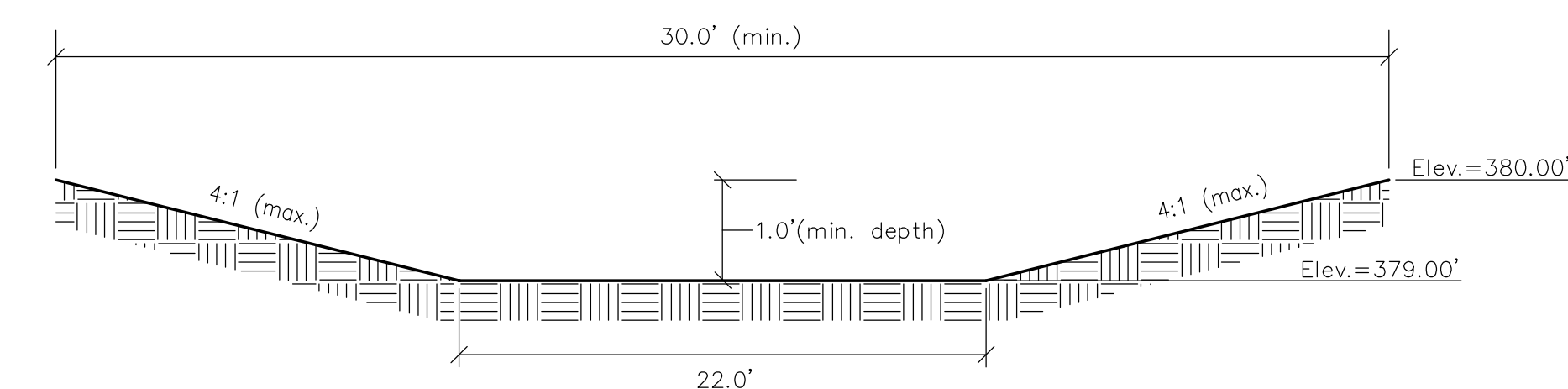
Scale: N.T.S.



**Notes:**  
1. A 3.00% slope or greater is required for the emergency spillway.

**DETENTION BASIN #2  
EMERGENCY SPILLWAY CROSS-SECTION**

Scale: N.T.S.



**Notes:**  
1. A 1.00% slope or greater is required for the emergency spillway.

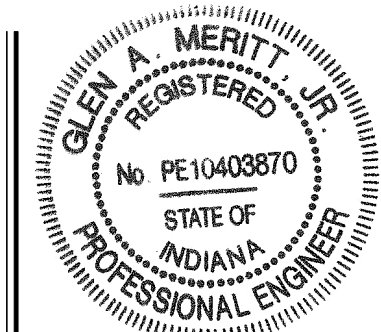
**DETENTION BASIN #3  
EMERGENCY SPILLWAY CROSS-SECTION**

Scale: N.T.S.

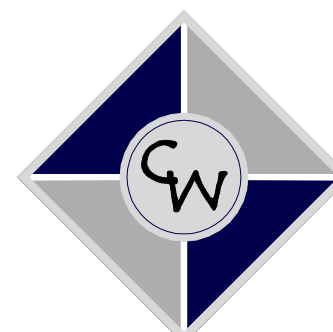
This drawing and/or specifications is provided as an instrument of service provided by Cash Wagner & Associates, PC and is intended for use on this project only. All drawings, specifications, designs, models, ideas, calculations, and arrangements appearing herein constitute the original and unpublished work of and remains the property of Cash Wagner & Associates, PC. Any reproduction, use or disclosure of the proprietary information contained herein without the prior written consent of the Cash Wagner & Associates, PC is strictly prohibited.

Written dimensions shown herein shall take precedence over scaled dimensions. Contractors shall calculate and measure required dimensions. Notify Cash Wagner & Associates, PC with any variations in dimensions or conditions from those indicated on these drawings. This drawing was based on available information. Commencement of Work constitutes verification and acceptance of existing conditions.

Application of a material or equipment to Work installed by others constitutes acceptance of that Work and assumption of responsibility for satisfactory installation.



*Glenn A. Meritt, Jr.*  
SIGNATURE  
20 July 22  
DATE



**CASH WAGNER  
& ASSOCIATES, PC**  
CONSULTING | ENGINEERING | SURVEYING

414 CITADEL CIRCLE  
SUITE B  
EVANSVILLE, IN 47715  
PH: 812.401.5561  
FAX: 812.401.5563  
CELL: 812.774.2988  
E-MAIL: GMERITT@CASHWAGNER.COM

NO.	DATE	BY	DESCRIPTION

PROJECT NO.:	22-5012
DESIGNED BY:	
DRAWN BY:	G.A.M.
FILENAME:	5012 DrainageDtls
LAYOUT TAB:	
SCALE:	As Shown

PROJECT:	GOLDFINCH COVE
ADDRESS:	GREEN RIVER ROAD EVANSVILLE, INDIANA
SHEET TITLE:	<b>DRAINAGE DETAILS SHEET 1</b>

DATE:	07.20.22
DRAWING NO.:	C-120
OF:	