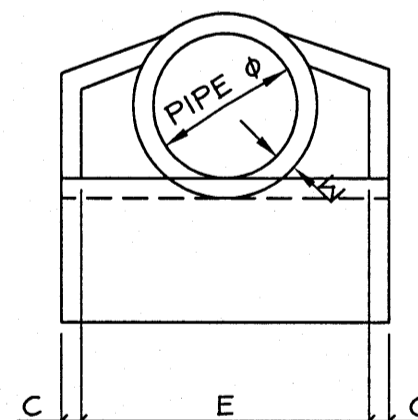


TOP VIEW

SIDE VIEW

STORM DISCHARGE DATA (cfs)

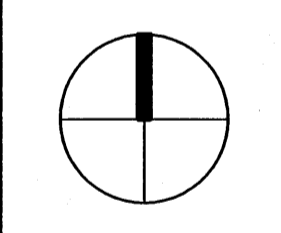
DIA	WGT	WALL	A	B	C	D	E	G	R	SLOPE
12"	530	2"	5"	1'-10"	4'-3"	6'-1"	2'-0"	2"	9"	2:1
15"	740	2 1/4"	7"	2'-3"	4'-0"	6'-3"	2'-6"	2 1/2"	11"	2:1
18"	990	2 1/2"	11"	2'-1"	4'-1"	6'-2"	3'-0"	2 1/2"	12"	2:1
21"	1280	2 3/4"	11"	2'-9"	3'-6"	6'-3"	3'-6"	2 3/4"	13"	2:1
24"	1520	3"	12"	3'-7"	2'-8"	6'-3"	4'-0"	3"	14"	2:1
30"	2190	3 1/2"	1'-2"	4'-6"	1'-6"	6'-0"	5'-0"	3 1/2"	15"	3:1
36"	4100	4"	1'-3"	5'-2"	2'-9"	8'-1"	6'-0"	4"	20"	3:1



END VIEW

END SECTION DETAIL

C111



NORTH

Professional Consultants, Inc.



Evansville • Rockport
Engineering/Architecture
Construction Management
www.pcdesign.com

SITE STUDY
FIRST CHRISTIAN CHURCH
HIGHWAY 57
EVANSVILLE, INDIANA

ISSUE	DATE	DESCRIPTION

PROJECT NUMBER: 20030167.00.00

DRAWN BY: APA	DATE: 07/09/03
DESIGNED BY: JWB	DATE: 07/09/03
TECH CHECKED BY: JWB	DATE:
QC CHECKED BY:	DATE:

DRAINAGE DETAILS

C-502
SHEET NUMBER

FOR CONSTRUCTION