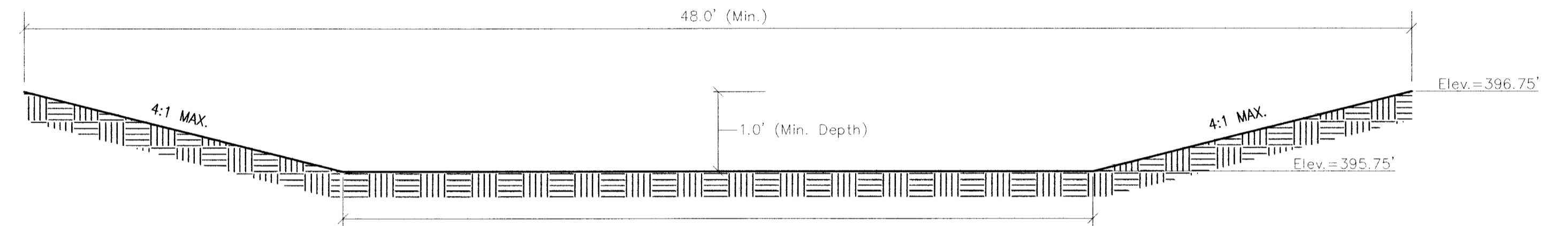


**DETENTION BASIN #1 CROSS SECTION A-A**

Scale: N.T.S.

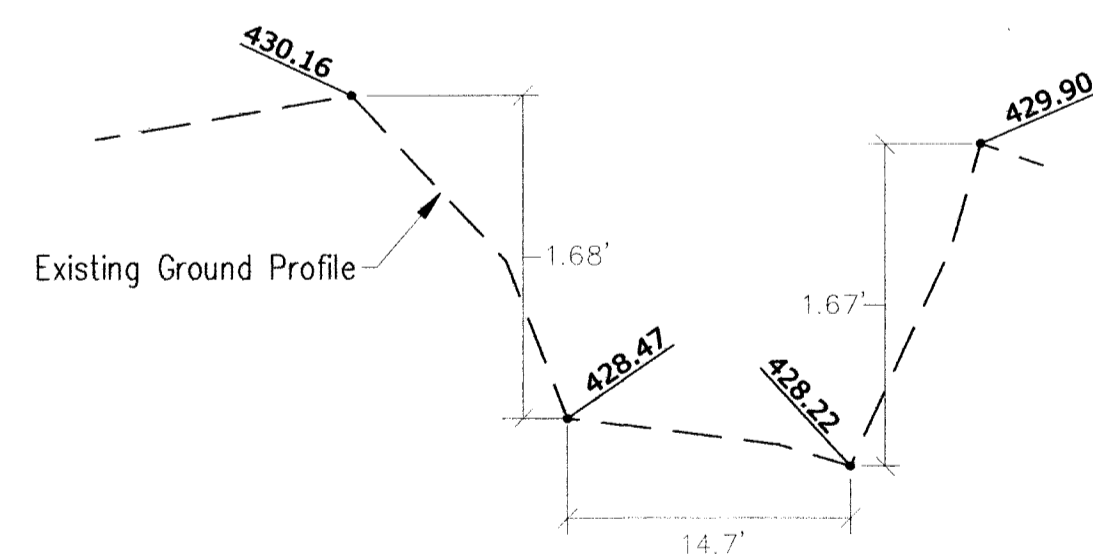


NOTES:

1. A 5% slope or greater is required for the emergency spillway.

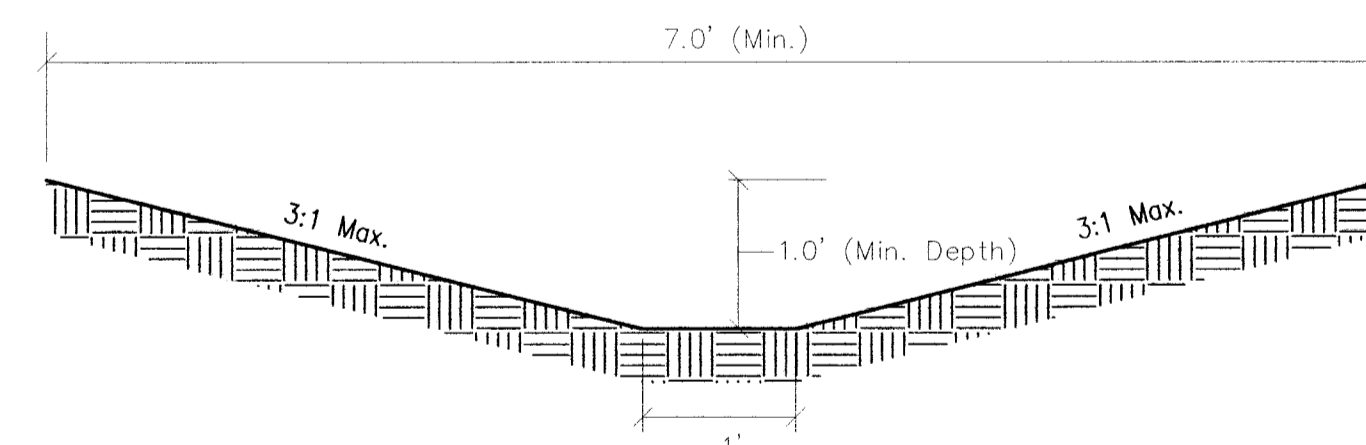
**DETENTION BASIN #1 EMERGENCY SPILLWAY CROSS-SECTION**

Scale: N.T.S.



**CROSS-SECTION B-B**

Scale: N.T.S.



**TYPICAL SWALE CROSS-SECTION**

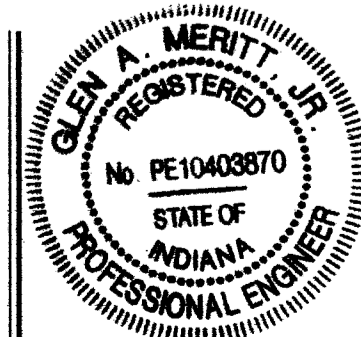
Scale: N.T.S.

APPROVED  
SEP 0 1 2015  
VANDERBURGH COUNTY  
DRAINAGE BOARD

This drawing and/or specifications is provided as an instrument of service provided by Cash Wagner & Associates, PC and is intended for use on this project only. All drawings, specifications, designs, models, plans, calculations, and arrangements appearing herein constitute the original and unpublished work of and remain the property of Cash Wagner & Associates, PC. Any reproduction, use or disclosure of the proprietary information contained herein without the prior written consent of the Cash Wagner & Associates, PC is strictly prohibited.

Written dimensions shown hereon shall take precedence over scaled dimensions. Contractors shall calculate and measure required dimensions. Notify Cash Wagner & Associates, PC with any variations in dimensions or conditions from those indicated on these drawings. This drawing is based on available information. Commencement of Work constitutes verification and acceptance of existing conditions.

Application of a material or equipment to Work installed by others constitutes acceptance of that Work and assumption of responsibility for satisfactory installation.



*Glenn A. Merritt*  
SIGNATURE

14 Aug 15  
DATE



**CASH WAGGNER & ASSOCIATES, PC**  
CONSULTING ENGINEERS • LAND SURVEYORS

414 CITADEL CIRCLE  
SUITE B  
EVANSVILLE, IN 47715  
PH: 812.401.5561  
FAX: 812.401.5563  
CELL: 812.774.2988  
E-MAIL: GMERRIT@CASHWAGGNER.COM

NO.	DATE	BY	DESCRIPTION
REVISIONS			

PROJECT NO.:	14-1948
DESIGNED BY:	G.A.M.
DRAWN BY:	G.A.M.
FILENAME:	1948 DrainageDtds
LAYOUT TAB:	
SCALE:	As Shown

PROJECT:	CAYMAN RIDGE - SECT. 4, PH. 2
ADDRESS:	KANSAS ROAD EVANSVILLE, INDIANA
SHEET TITLE:	<b>DRAINAGE DETAILS</b>

DATE:	08.14.15
DRAWING NO.:	<b>C-112</b>
SHEET NO.:	OF 18

RECEIVED BY THE  
VANDERBURGH COUNTY  
SURVEYOR'S OFFICE  
8/17/15  
CA