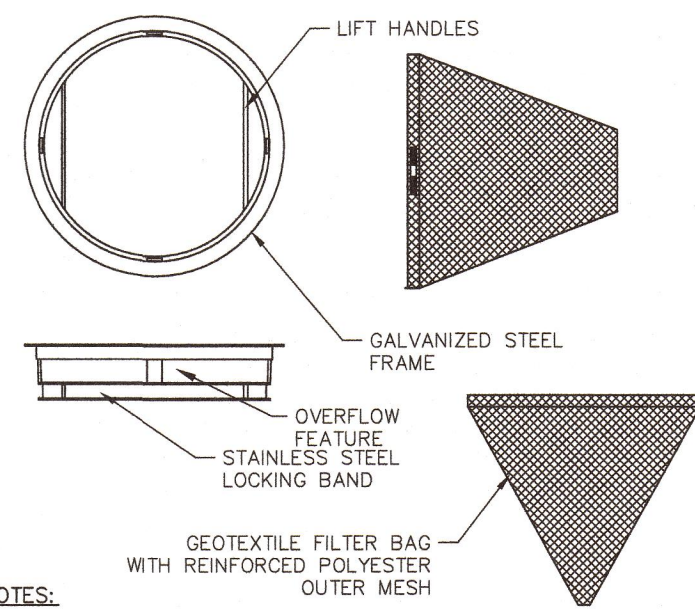


CONCRETE WASHOUT

N.T.S.



NOTES:
ALL PRODUCTS MANUFACTURED BY INLET AND PIPE PROTECTION, INC OR APPROVED EQUAL.

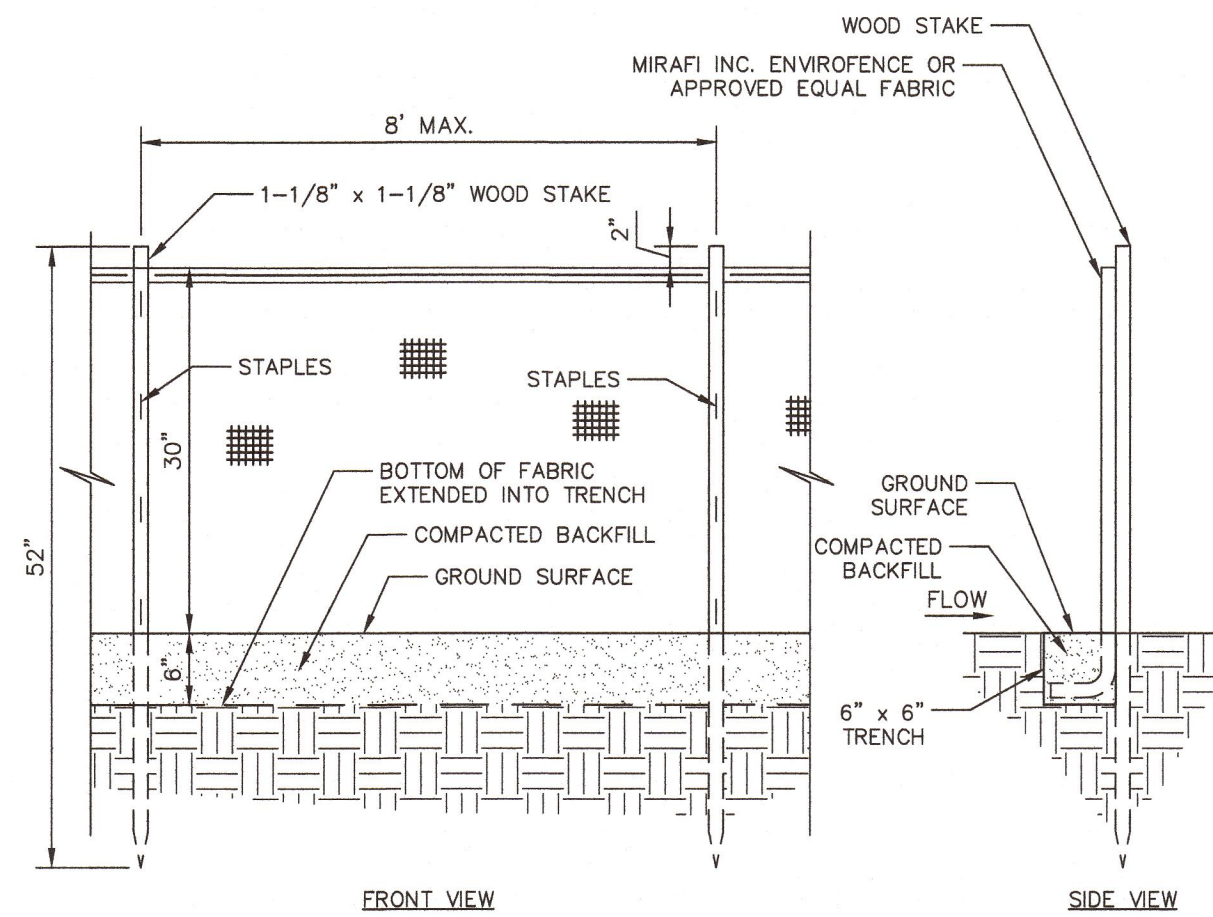
NOTE: INLET FILTERS ARE SLIGHTLY SMALLER THAN THE INLET GRATE SIZES. WHEN IDENTIFYING OR SPECIFYING FILTERS/CASTINGS PLEASE REFER TO THE DIAMETER "D" OR WIDTH "W" AND HEIGHT "H" OF FILTER FRAMES OR CASTING GRATES. YOU MAY ALSO REFER TO OUR CASTING CROSS REFERENCE GUIDE FOR INDOT STANDARDS

NOTE: ROUND AND SQUARE INLET FILTERS AVAILABLE FOR MOST NEENAH AND EAST JORDAN BEEHIVE, ROLL CURB AND CURB BOX FRAME TYPES

ALL IPP INLET FILTERS TO CONFORM TO INDOT SPECIFICATIONS.

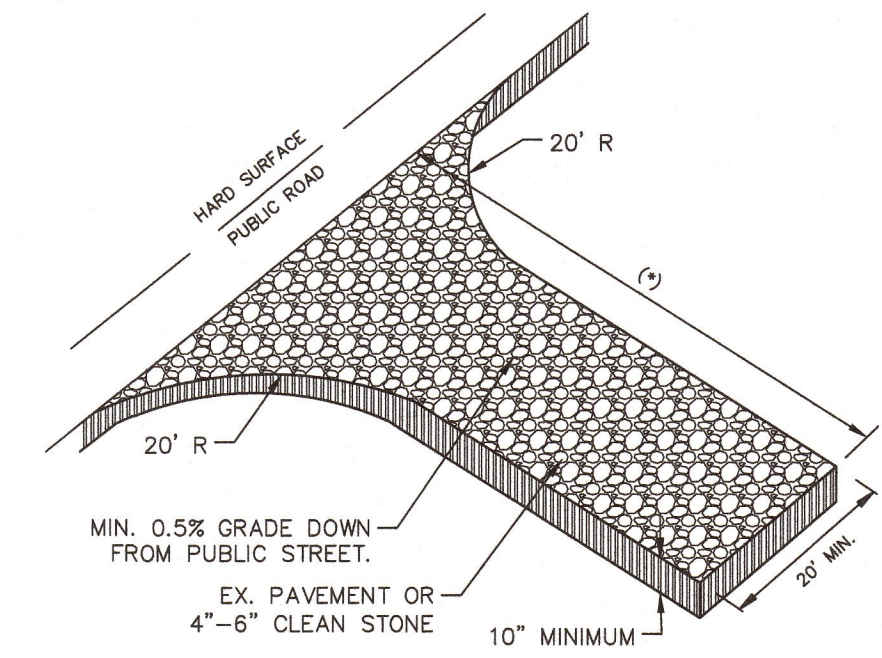
INLET PROTECTION

N.T.S.



SEDIMENTATION/SILT FENCE

N.T.S.



(*) NOTE:
50' FOR LAND DISTURBANCE SMALLER THAN 2.0 AC.
150' FOR LAND DISTURBANCE LARGER THAN 2.0 AC.

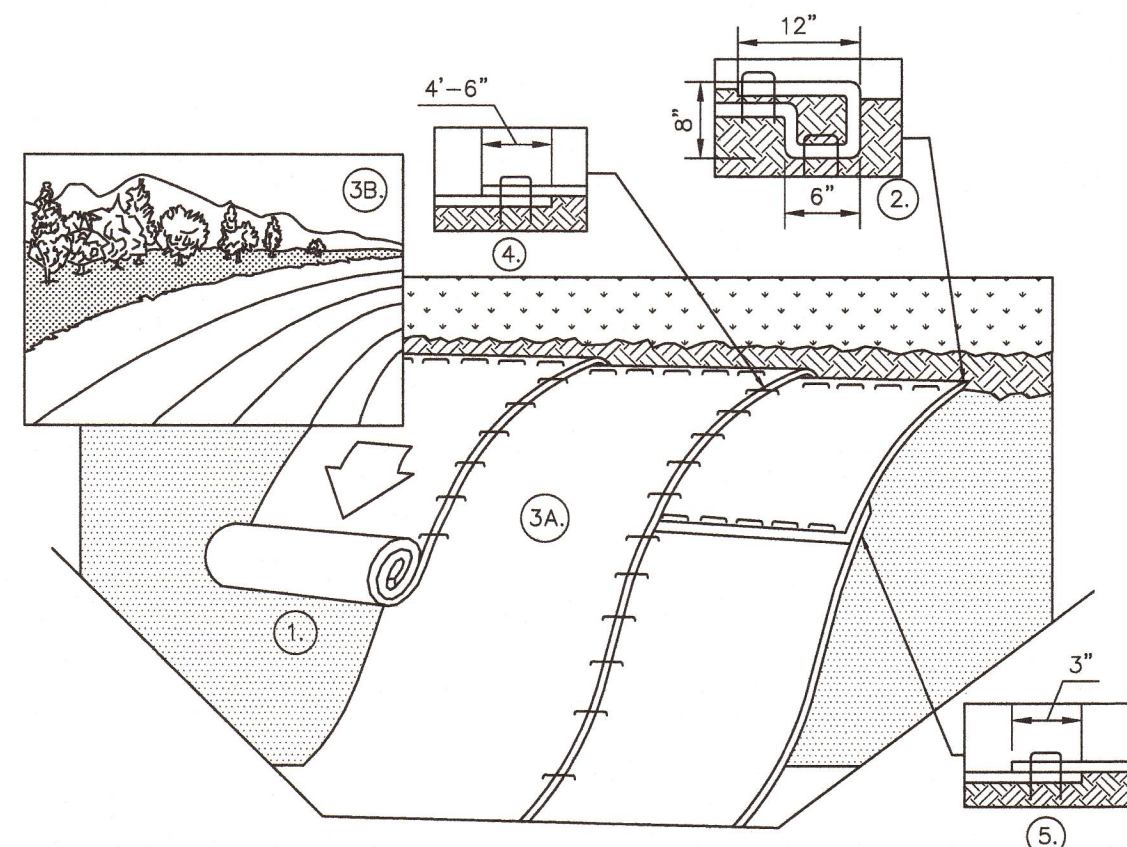
CONSTRUCTION ENTRANCE

N.T.S.

| STABILIZATION TYPE | JAN. | FEB. | MAR. | APR. | MAY | JUNE | JULY | AUG. | SEPT. | OCT. | NOV. | DEC. |
|--------------------|------|------|------|------|-----|------|------|------|-------|------|------|------|
| PERMANENT SEEDING | | | A | | | * | | A* | | | | |
| DORMANT SEEDING | B | | | | | | | | | | | B |
| TEMPORARY SEEDING | | | C | | | | | D | | | | |
| SODDING | | | | E | | | | | | | | |
| MULCHING | F | | | ** | | | | | | | | |

- A KENTUCKY BLUEGRASS 90 LBS/ACRE MIXED WITH PERENNIAL RYEGRASS 30 LBS/ACRE
- B KENTUCKY BLUEGRASS 135 LBS/ACRE MIXED WITH PERENNIAL RYEGRASS 45 LBS/ACRE + 2 TONS STRAW MULCH/ACRE
- C SPRING OATS 100 LBS/ACRE
- D WHEAT OR CEREAL RYE 150 LBS/ACRE
- E SOD
- F STRAW MULCH 2 TONS/ACRE
- * IRRIGATION NEEDED DURING JUNE AND AUGUST
- ** IRRIGATION NEEDED FOR 2 TO 3 WEEKS AFTER APPLYING SOD DURING ANY PART OF THE YEAR

SEEDING CHART



- PREPARE SOIL BEFORE INSTALLING BLANKETS, INCLUDING ANY NECESSARY APPLICATION OF LIME, FERTILIZER, AND SEED.
- BEGIN AT THE TOP OF THE SLOPE BY ANCHORING THE BLANKET IN A 6" DEEP X 6" WIDE TRENCH WITH APPROXIMATELY 12" OF BLANKET EXTENDED BEYOND THE UP-SLOPE PORTION OF THE TRENCH AS SHOWN IN DETAIL. ANCHOR THE BLANKET WITH A ROW OF STAPLES/STAKES APPROXIMATELY 12" APART IN THE BOTTOM OF THE TRENCH. BACKFILL AND COMPACT THE TRENCH AFTER STAPLING. APPLY SEED TO COMPACTED SOIL AND FOLD REMAINING 12" PORTION OF BLANKET BACK OVER SEED AND COMPACTED SOIL. SECURE BLANKET OVER COMPACTED SOIL WITH A ROW OF STAPLES/STAKES SPACED APPROXIMATELY 12" APART ACROSS THE WIDTH OF THE BLANKET.
- ROLL THE BLANKETS (3A.) DOWN OR (3B.) HORIZONTALLY ACROSS THE SLOPE. BLANKETS WILL UNROLL WITH APPROPRIATE SIDE AGAINST THE SOIL SURFACE. ALL BLANKETS MUST BE SECURELY FASTENED TO SOIL SURFACE BY PLACING STAPLES/STAKES IN APPROPRIATE LOCATIONS AS PER MANUFACTURES RECOMMENDATION.
- THE EDGES OF PARALLEL BLANKETS MUST BE STAPLED WITH MINIMUM 6" OVERLAP. TO ENSURE PROPER SEAM ALIGNMENT, PLACE THE EDGE OF THE OVERLAPPING BLANKET (BLANKET BEING INSTALLED ON TOP) EVEN WITH THE SEAM STITCH ON THE PREVIOUSLY INSTALLED BLANKET.
- CONSECUTIVE BLANKETS SPLICED DOWN THE SLOPE MUST BE PLACED END OVER END (SHINGLE STYLE) WITH AN APPROXIMATE 3" OVERLAP. STAPLE THROUGH OVERLAPPED AREA, APPROXIMATELY 12" APART ACROSS ENTIRE BLANKET WIDTH.
- PLACE STAPLES/STAKES PER MANUFACTURER'S RECOMMENDATION FOR THE APPROPRIATE SLOPE BEING APPLIED.

NOTES:
1. IN LOOSE SOIL CONDITIONS, THE USE OF STAPLE OR STAKE LENGTHS GREATER THAN 6" MAY BE NECESSARY TO PROPERLY SECURE THE BLANKETS.

2. FOLLOW EROSION CONTROL TECHNOLOGY COUNCIL SPECIFICATION FOR PRODUCT SELECTION.

EROSION CONTROL BLANKET (SLOPE INSTALLATION)

N.T.S.

Received by
Vanderburgh County
Surveyor's Office

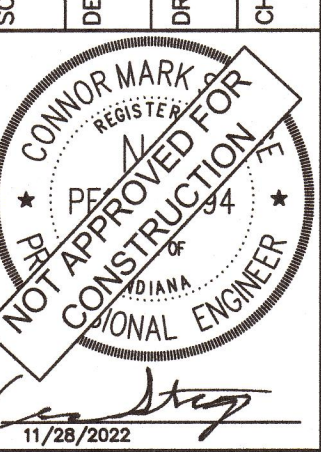
NOV 29 2022

Time 10:03 AM Initials AR

| NO. | REVISIONS | DATE | BY |
|-----|-------------------------|----------|-----|
| 1 | CITY COMMENTS | 11/28/22 | CVS |
| 2 | CITY COMMENTS | 10/31/22 | DLG |
| 3 | CITY COMMENTS | 09/26/22 | CWB |
| 4 | UTILITY/CLIENT COMMENTS | 07/30/21 | CVS |
| 5 | CITY COMMENTS | 06/25/21 | CVS |

Kimley-Horn
©2022 KIMLEY-HORN AND ASSOCIATES, INC.
250 EAST 96TH STREET, SUITE 580,
INDIANAPOLIS, IN 46240
PHONE: 317-278-9560
WWW.KIMLEY-HORN.COM

SCALE: AS NOTED
DESIGNED BY: CVS
DRAWN BY: RCB
CHECKED BY: ART



EROSION CONTROL DETAILS

CASEY'S OF EVANSVILLE (#3968)

ORIGINAL ISSUE: 03/01/2021
KHA PROJECT NO. 170151001
SHEET NUMBER

C-404