

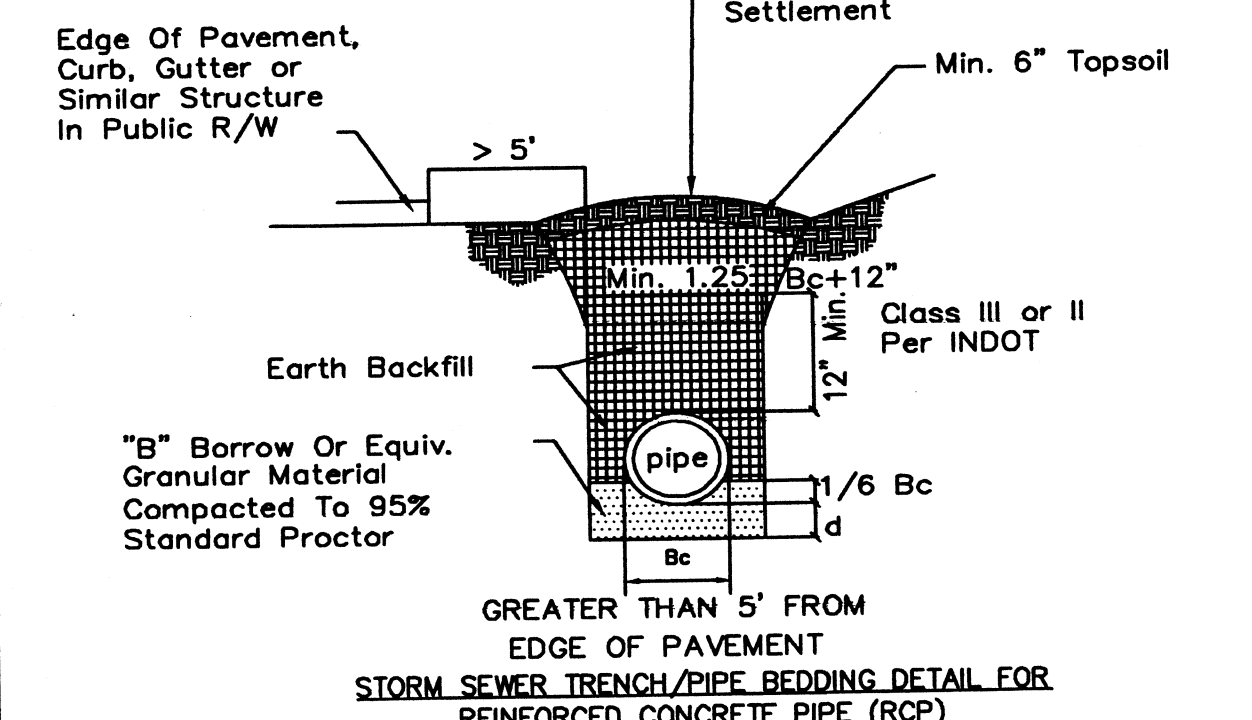
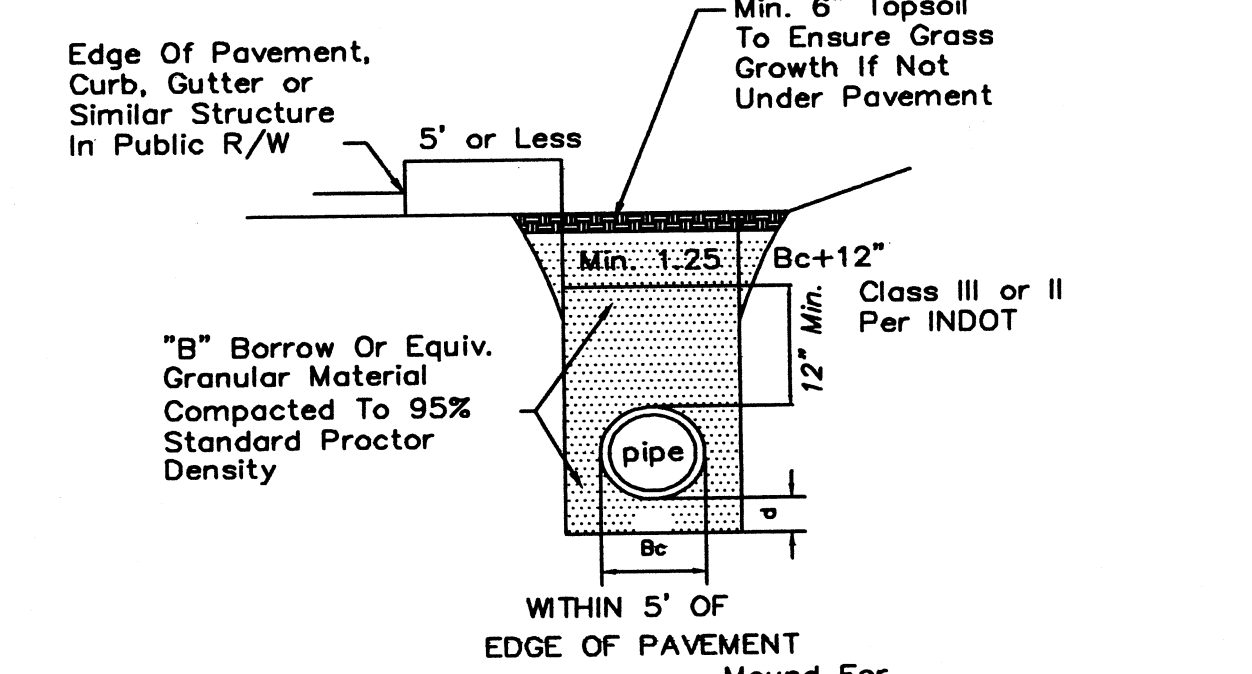
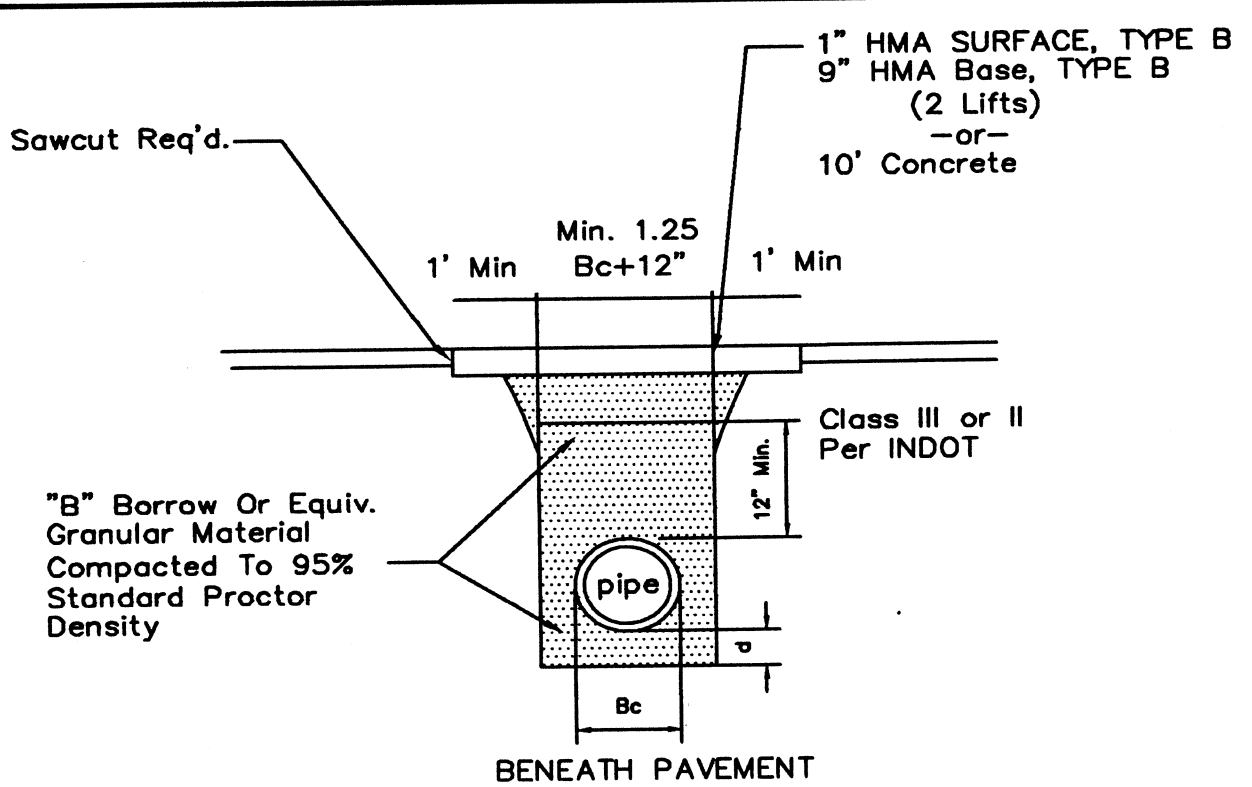
**ANDY ESASLEY ENGINEERING**  
 CIVIL ENGINEERING  
 1133 WEST MILL ROAD  
 EVANSVILLE, INDIANA 47710  
 (812) 424-2481

**LOT 5 SHEFFER-CARSON**  
 12101 HIGHWAY 41 N  
 VANDERBURGH COUNTY, INDIANA

DATE: 3-21-2020  
 PROJECT NO: 9084-A  
 REVISIONS:

SHEET NO: C1.3

APPROVED BY THE VANDERBURGH COUNTY SUPERVISOR'S OFFICE  
 5-15-20  
 [Signature]

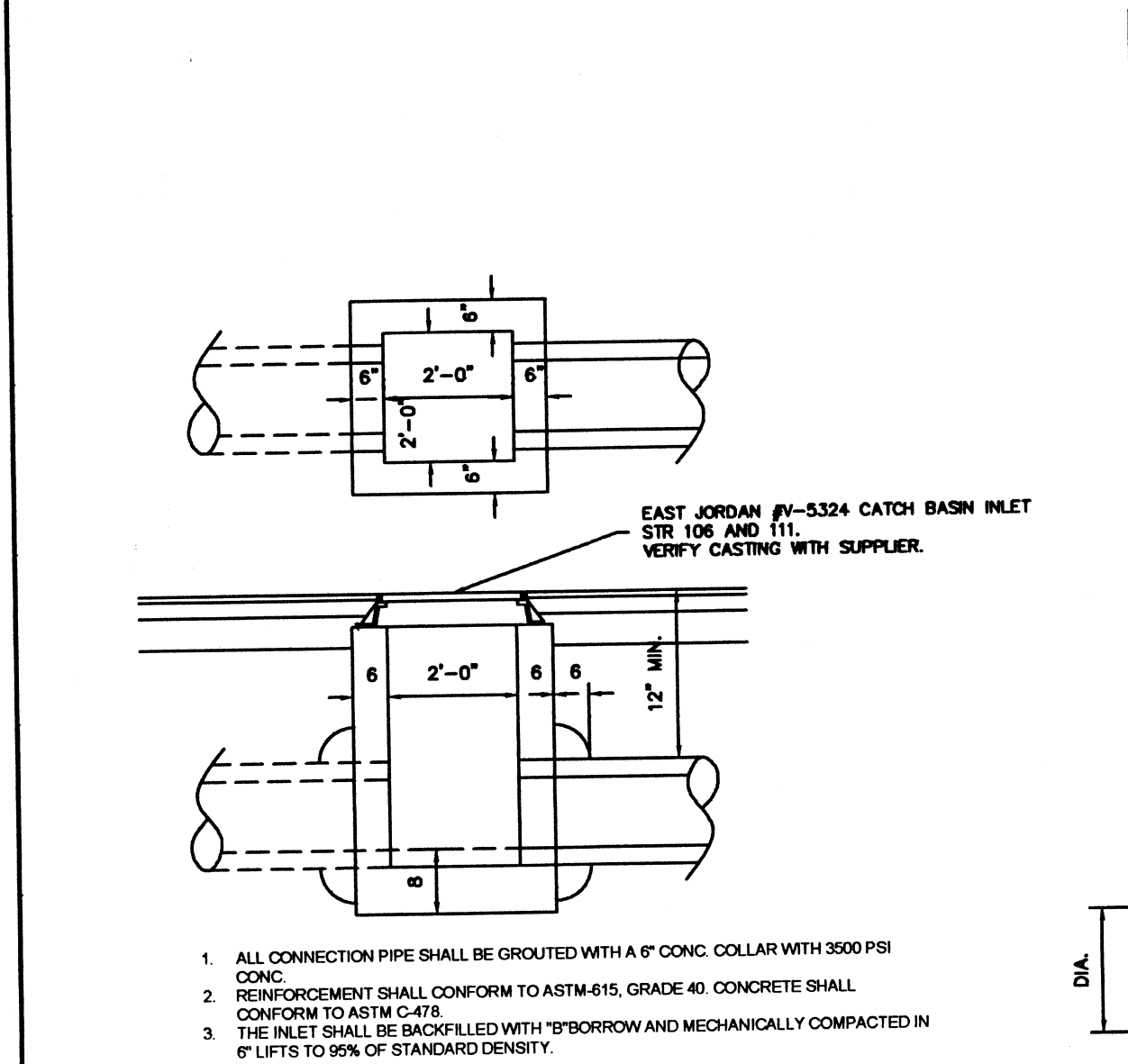


**LEGEND**

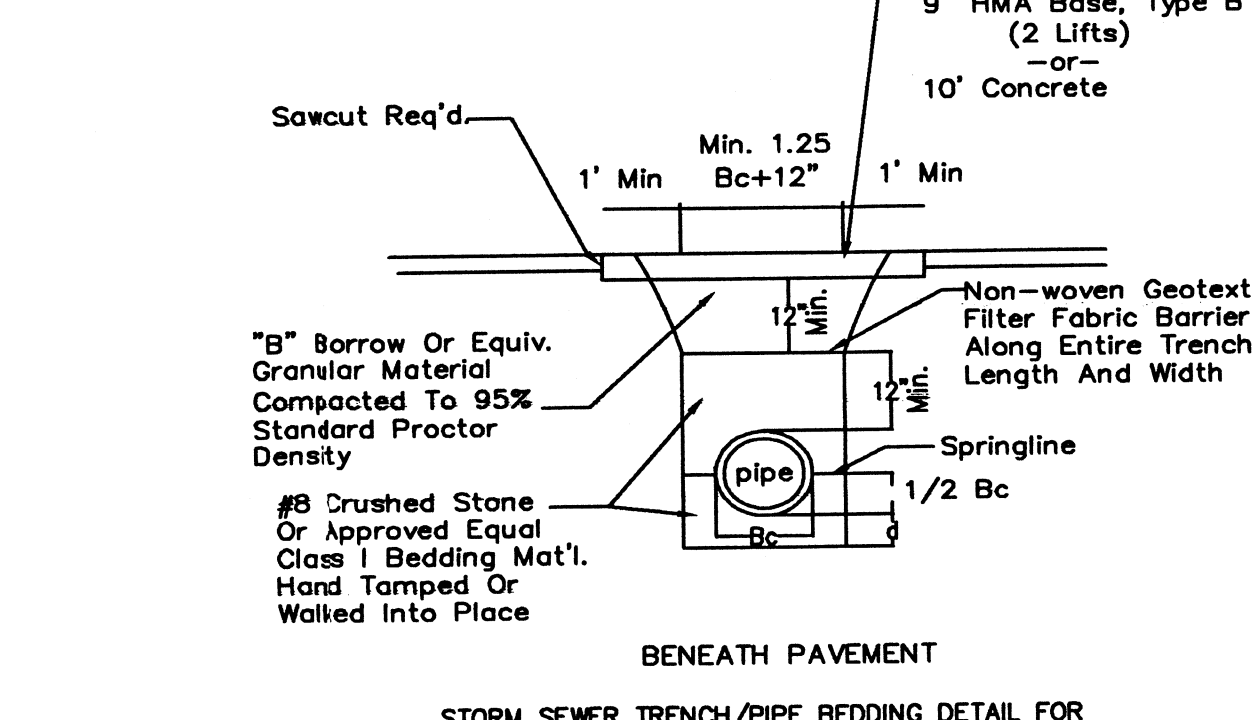
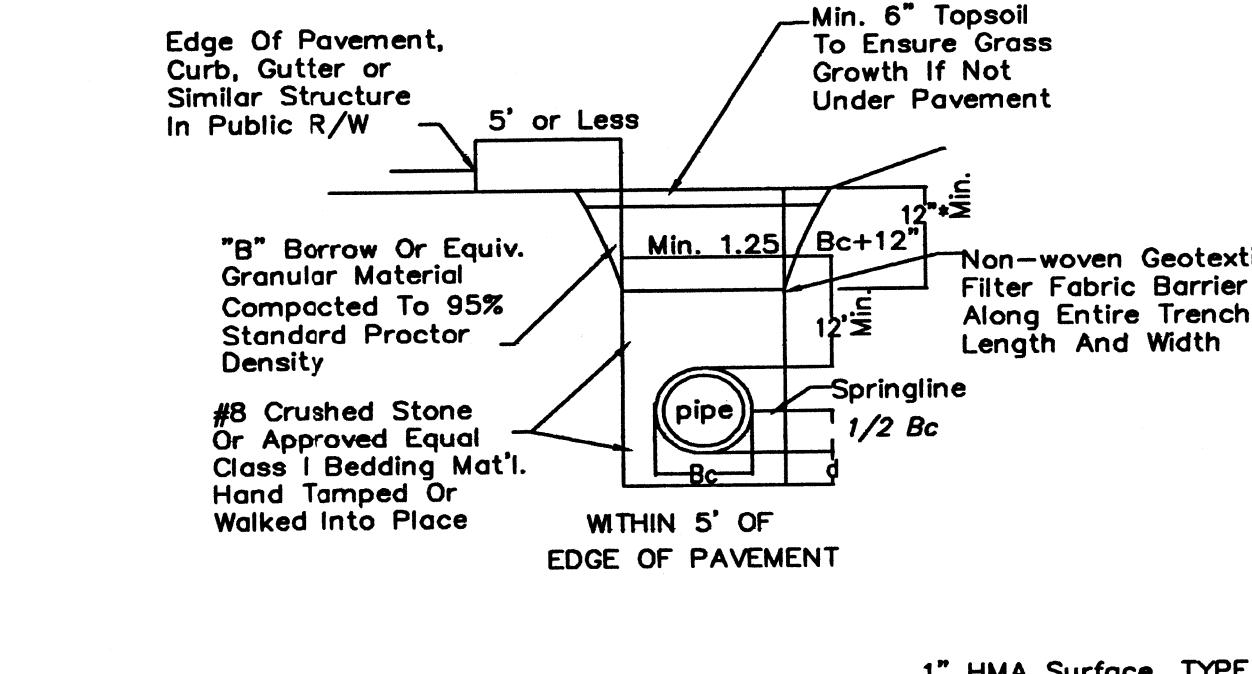
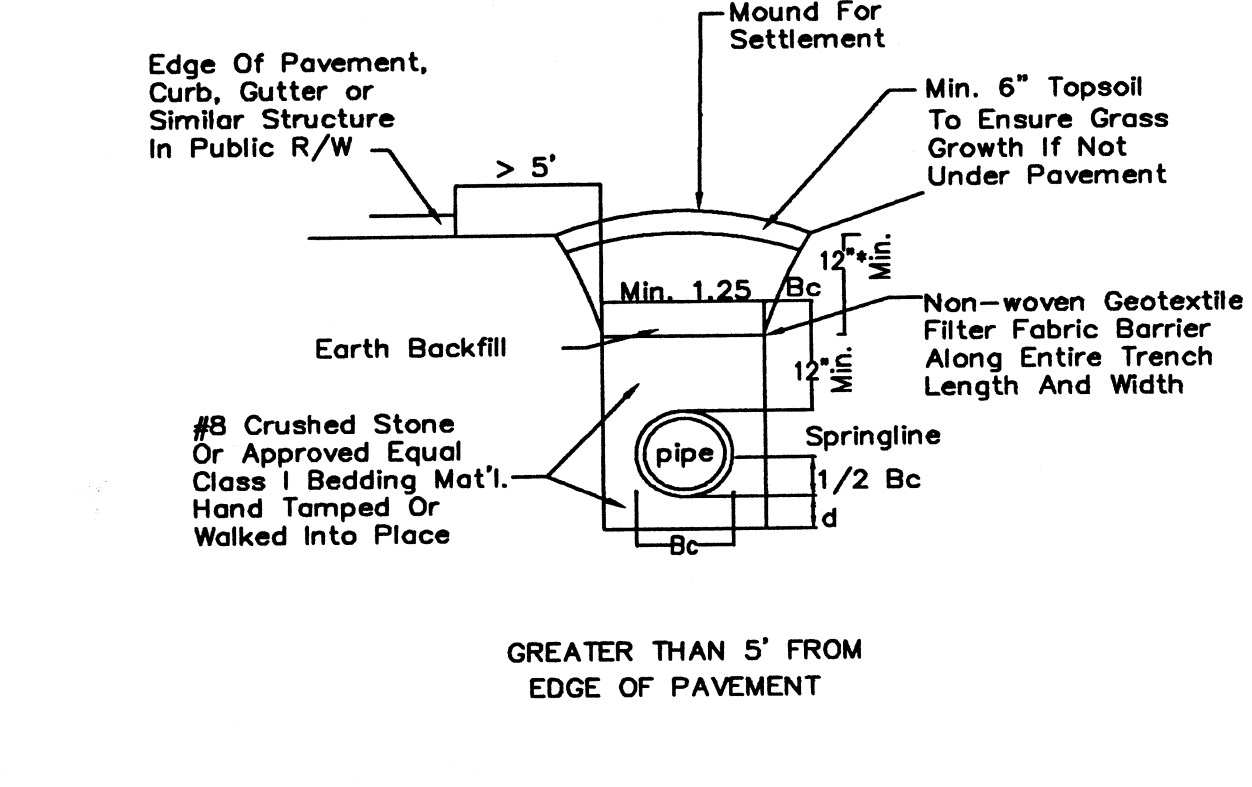
Bc = OUTSIDE DIAMETER  
 D = INSIDE DIAMETER  
 d = DEPTH OF BEDDING MATERIAL BELOW PIPE

DEPTH OF BEDDING MATERIAL BELOW PIPE	D	d
27" & SMALLER	3"	3"
30" TO 60"	4"	4"
66" & LARGER	6"	6"

**1 STORM BEDDING DETAILS**  
 C1.3 N.T.S.



**2 CONC. JUNCTION BOX**  
 C1.3 SCALE: 3/8" = 1'-0"

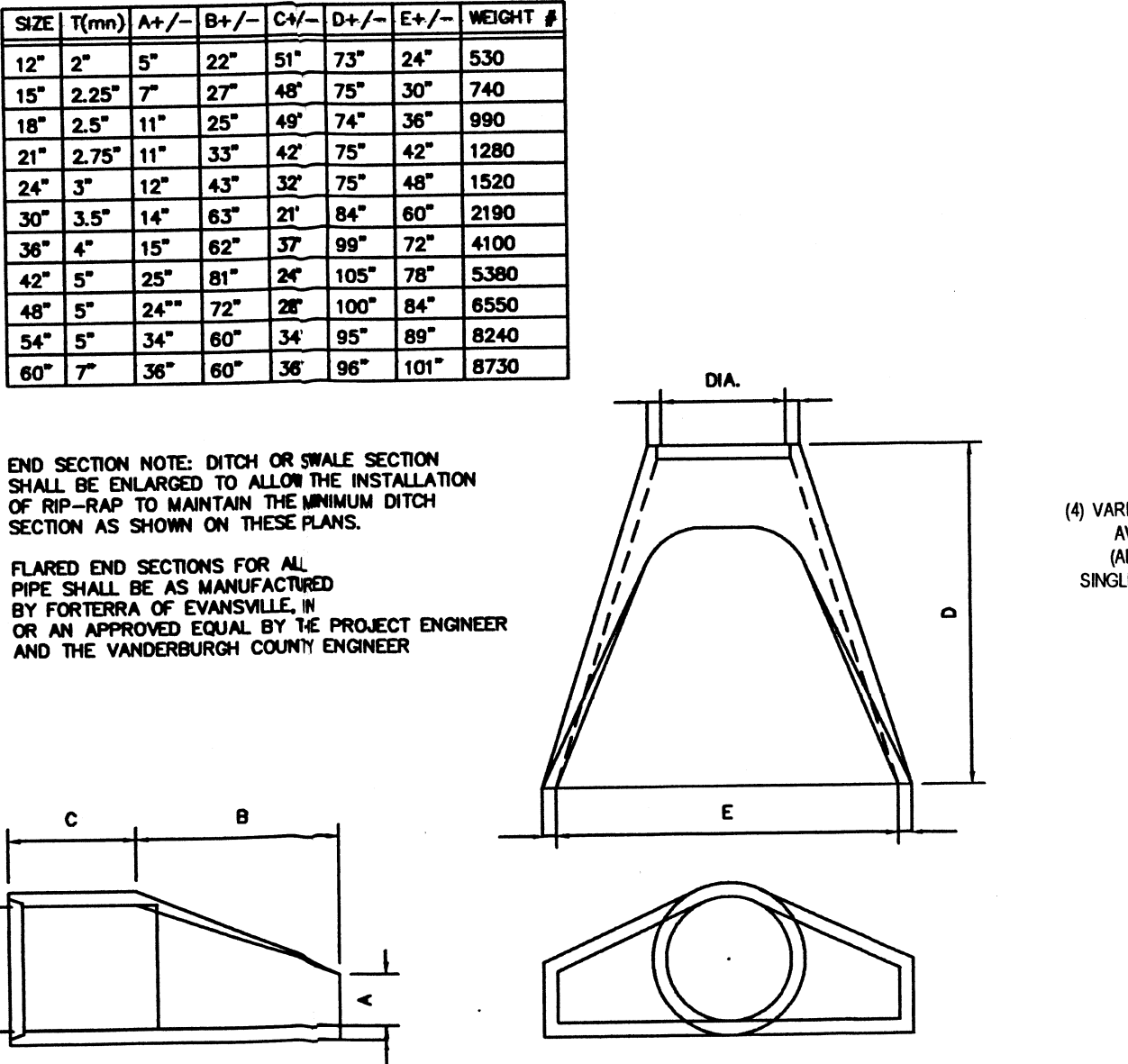


**LEGEND**

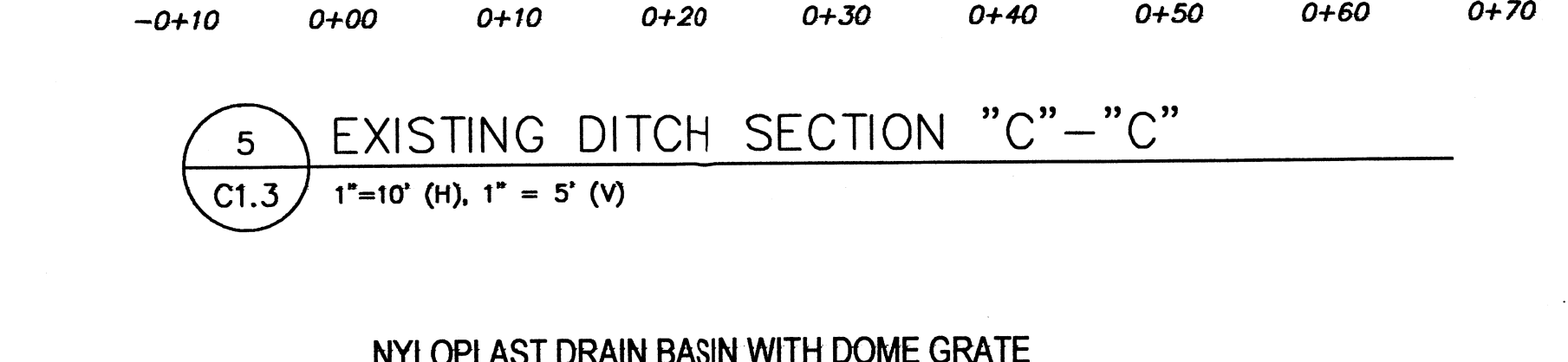
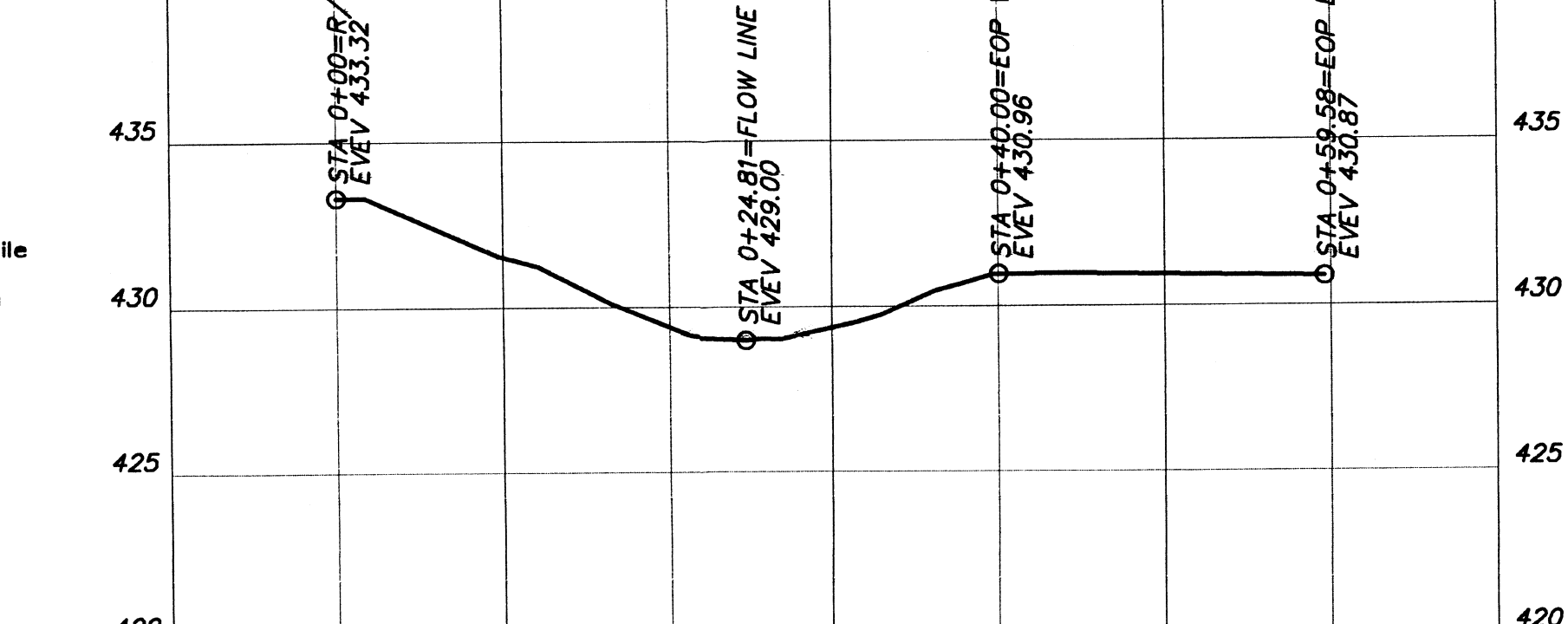
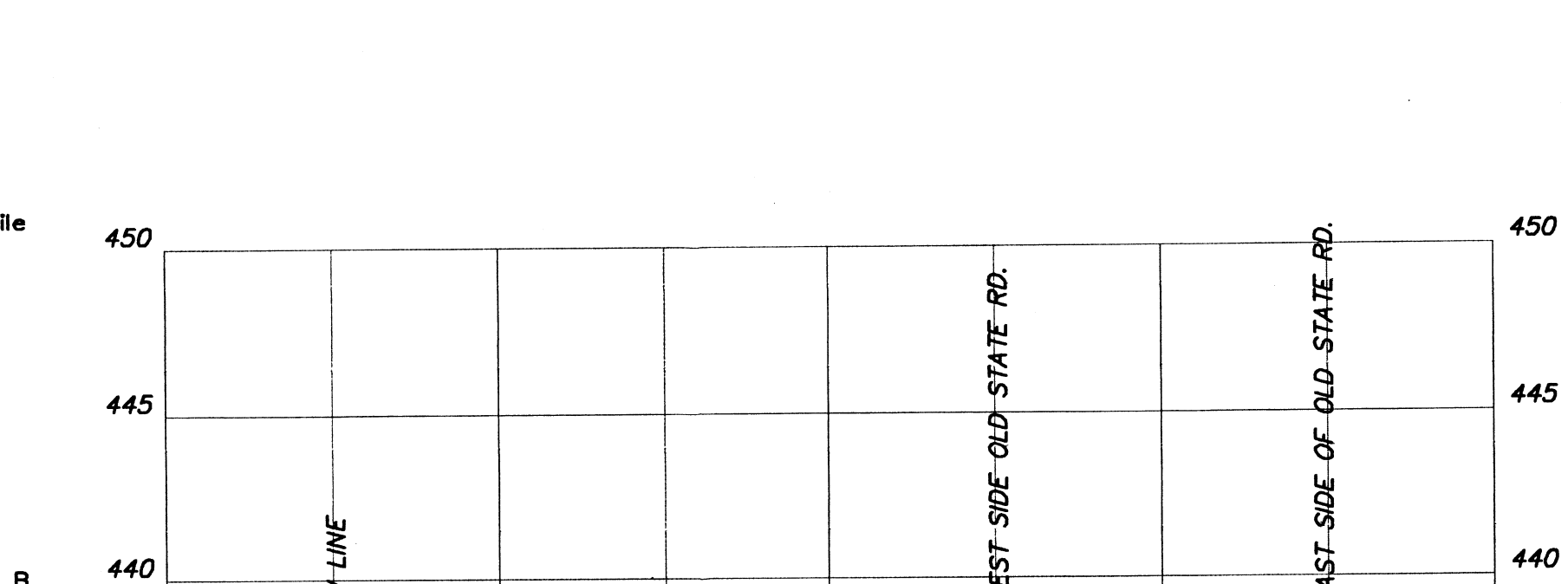
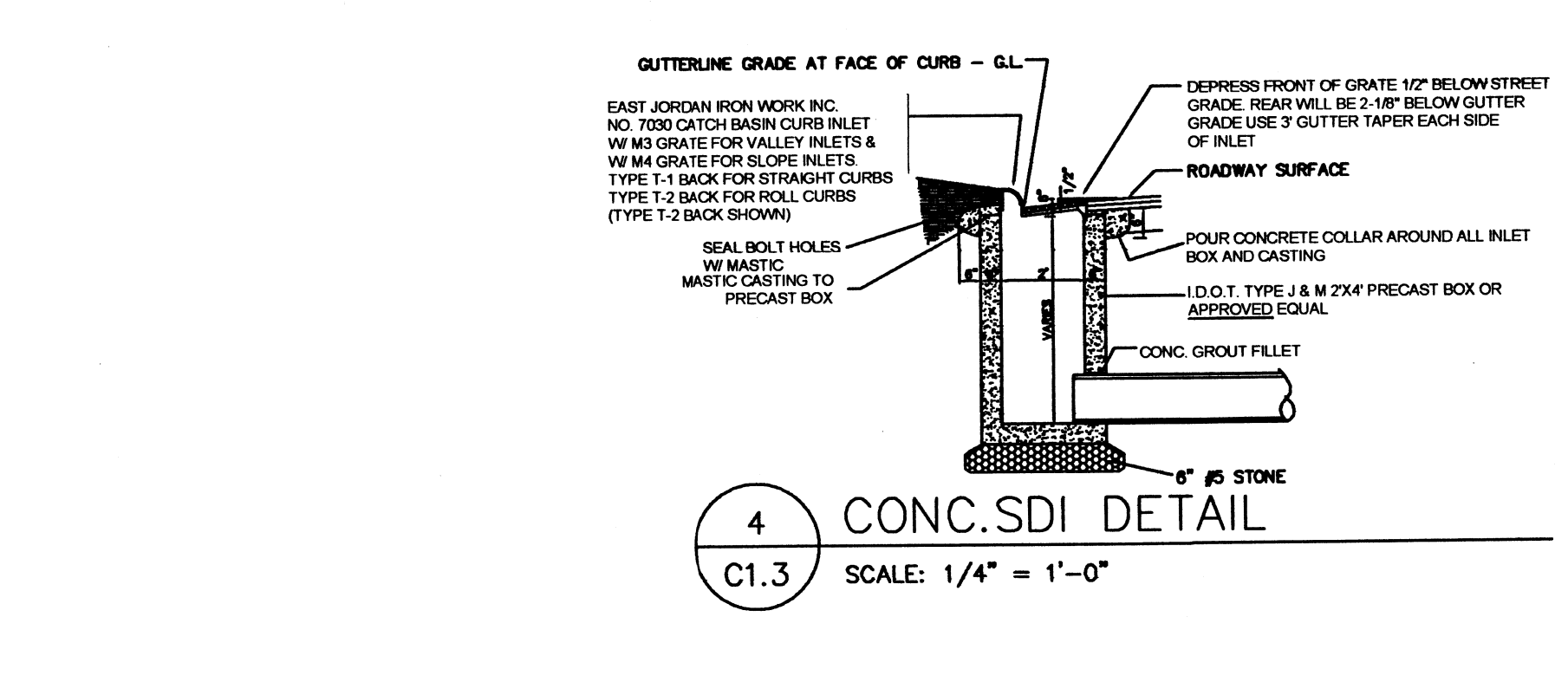
Bc = OUTSIDE DIAMETER  
 D = INSIDE DIAMETER  
 d = DEPTH OF BEDDING MATERIAL BELOW PIPE

DEPTH OF BEDDING MATERIAL BELOW PIPE	D	d
27" & SMALLER	3"	3"
30" TO 60"	4"	4"
66" & LARGER	6"	6"

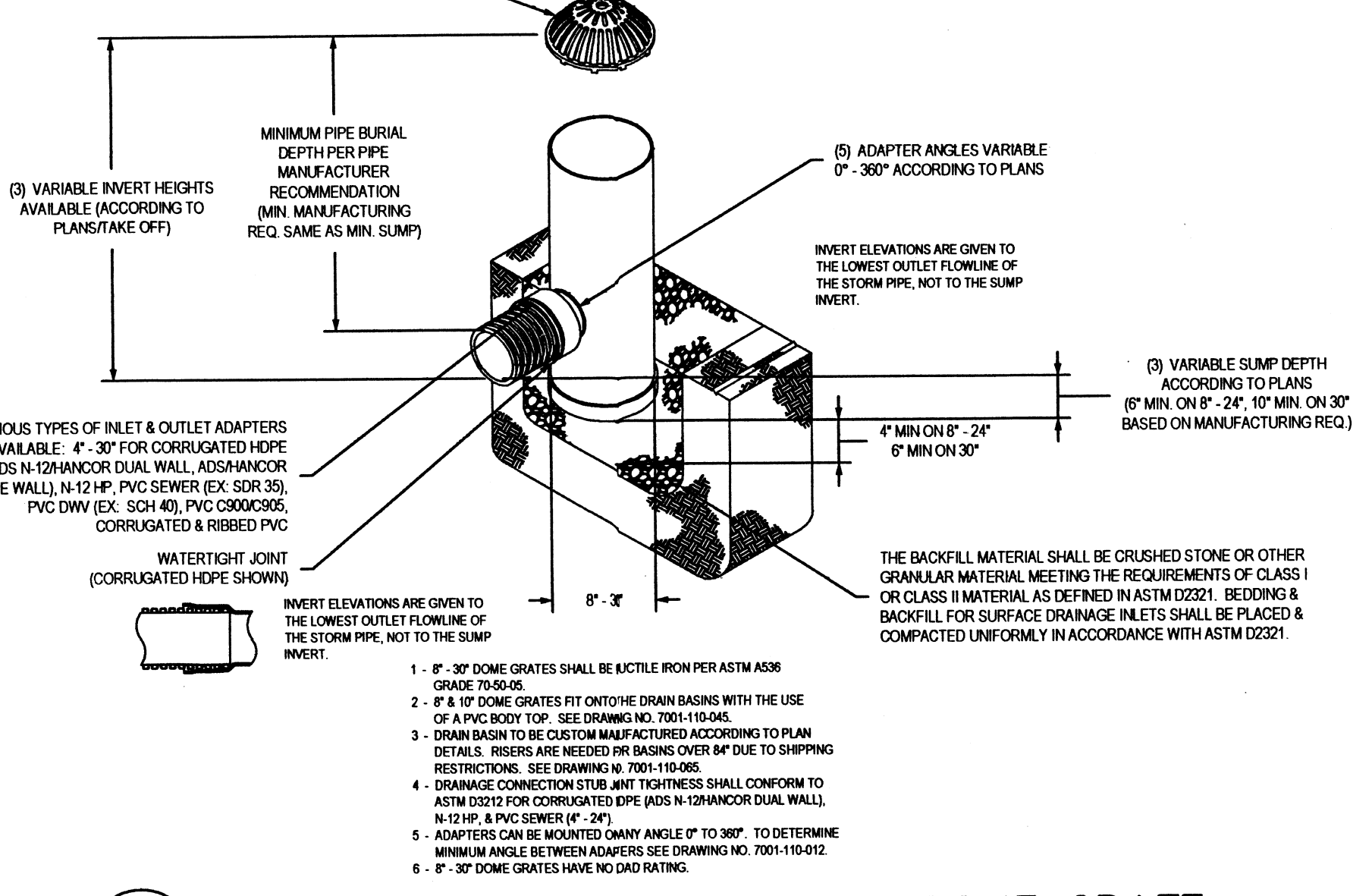
**4 CONC. SDI DETAIL**  
 C1.3 SCALE: 1/4" = 1'-0"



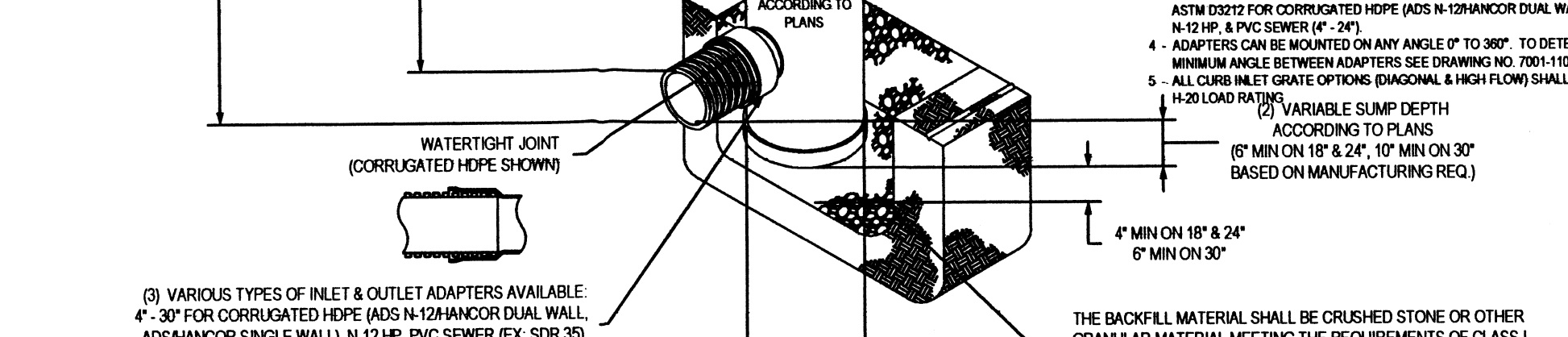
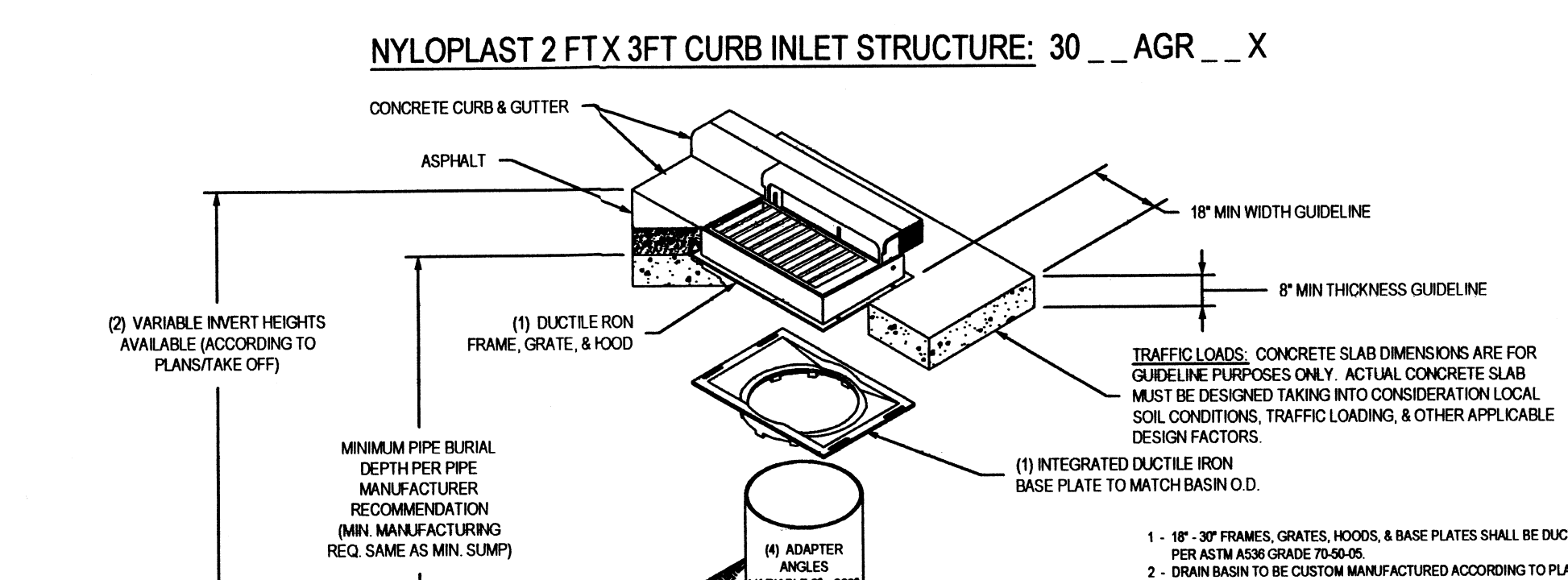
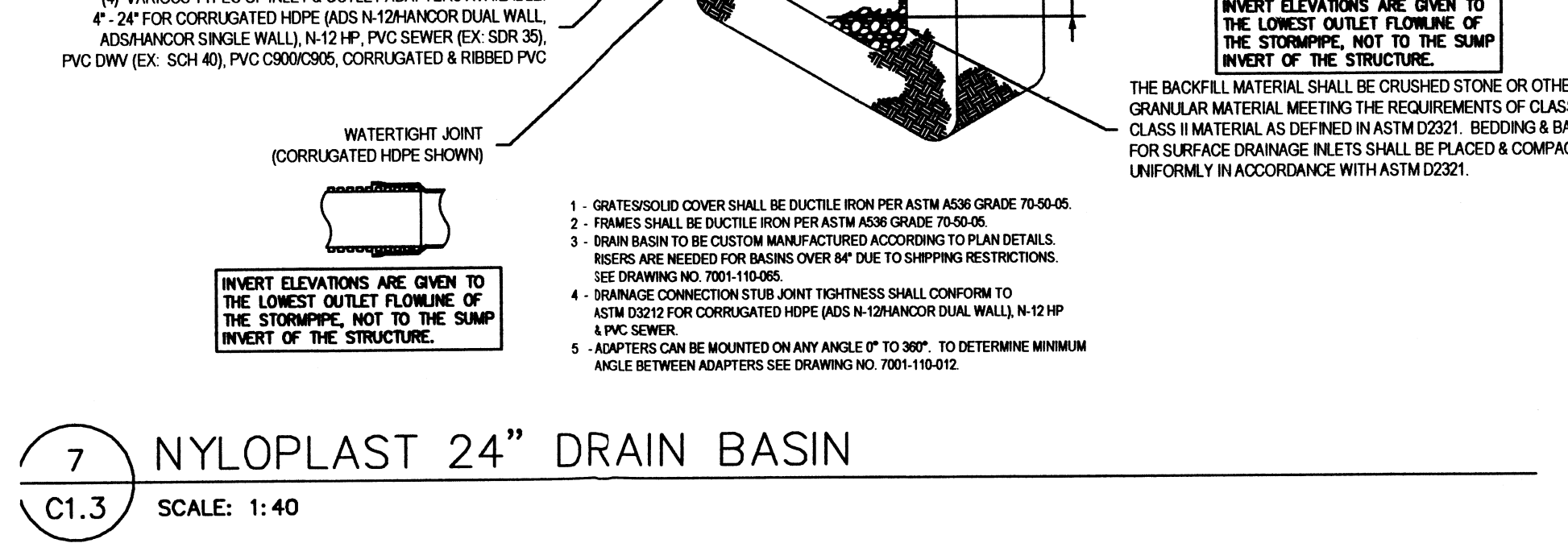
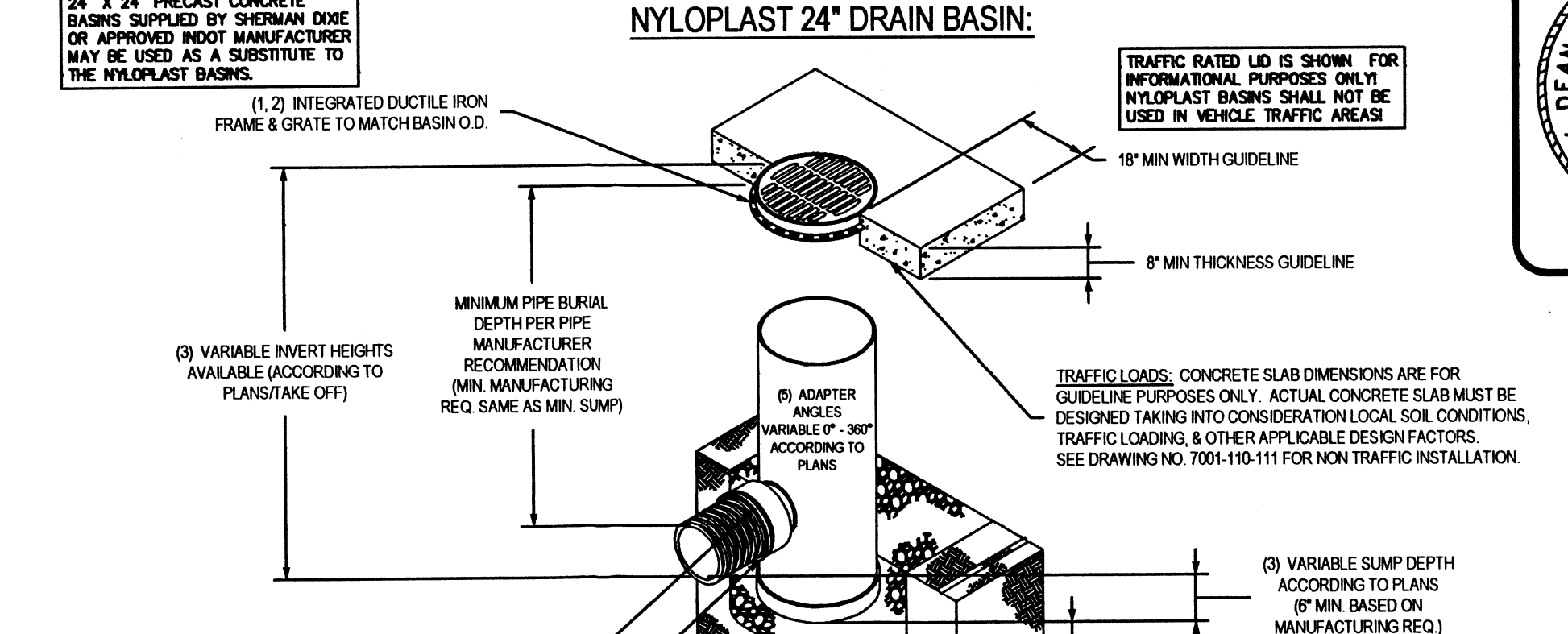
**6 NYLOPLAST DRAIN BASIN WITH DOME GRATE**  
 C1.3 SCALE: 1:40



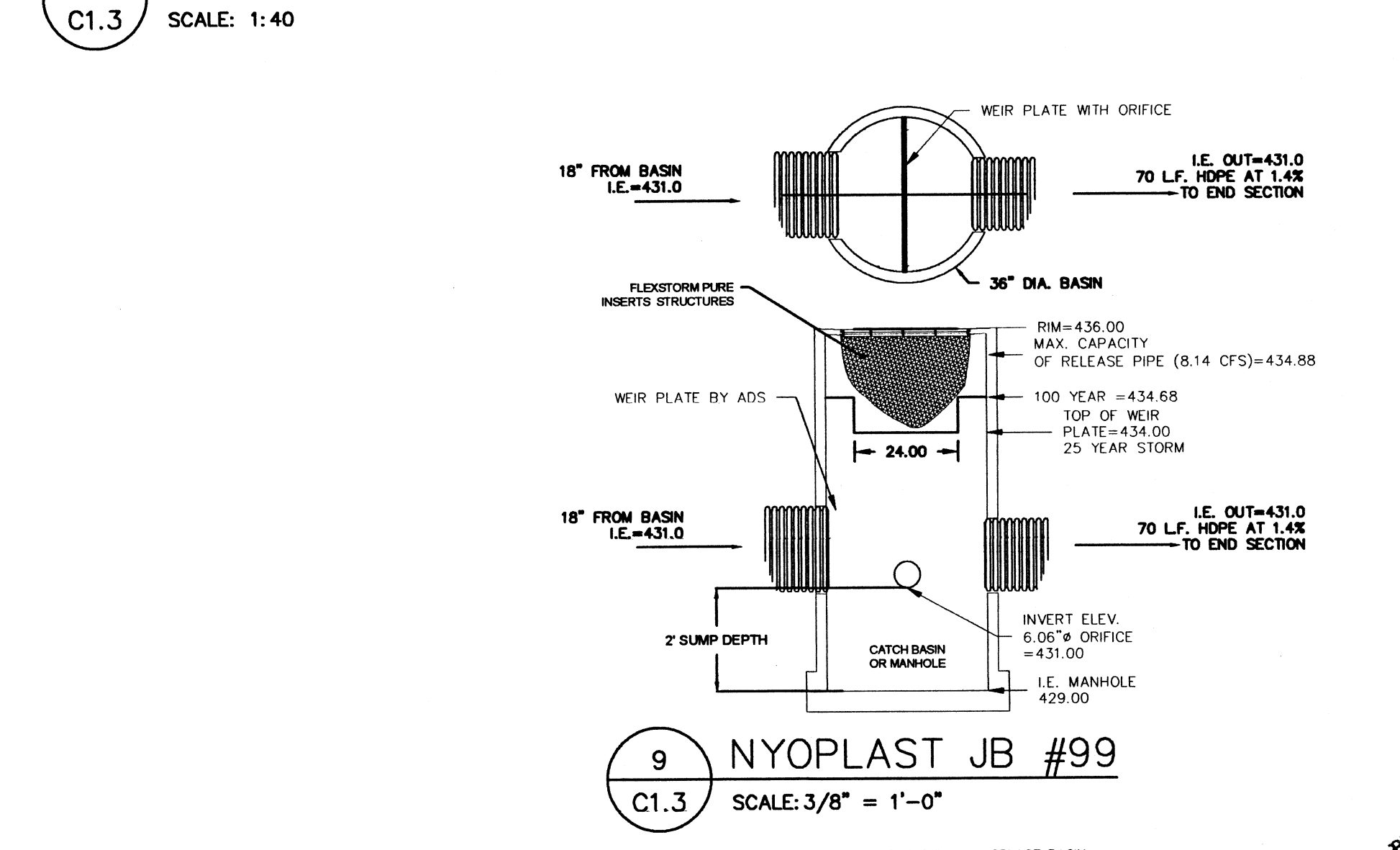
**3 PRECAST CONCRETE END SECTION**  
 C1.3 N.T.S.



**5 EXISTING DITCH SECTION "C" - "C"**  
 C1.3 1"=10' (H), 1" = 5' (V)



**6 NYLOPLAST DRAIN BASIN WITH DOME GRATE**  
 C1.3 SCALE: 1:40



**8 NYLOPLAST STREET DRAIN INLET**  
 C1.3 SCALE: 1:40

DATE: 3-21-2020  
 PROJECT NO: 9084-A  
 REVISIONS:  
 SHEET NO: C1.3