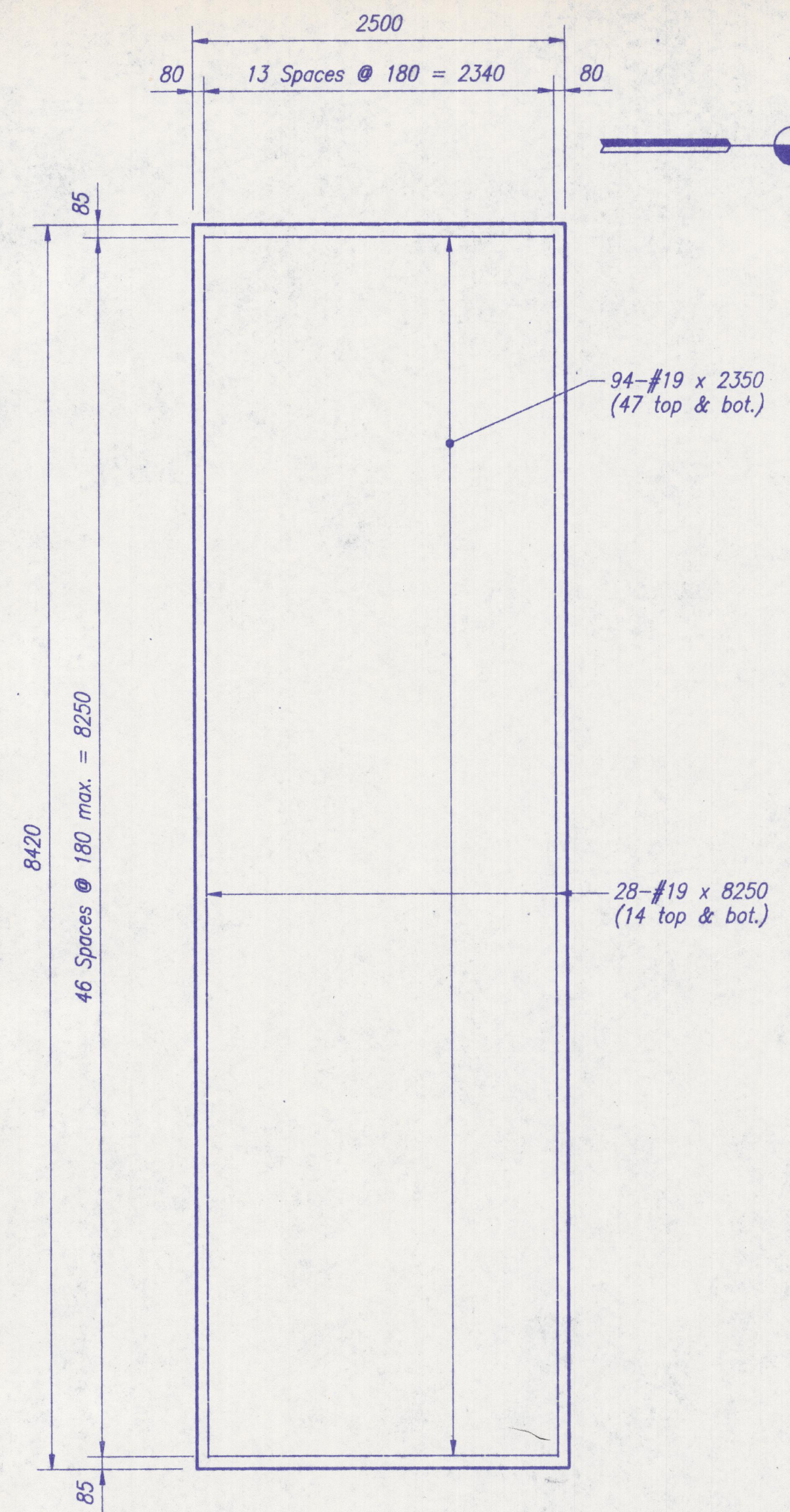
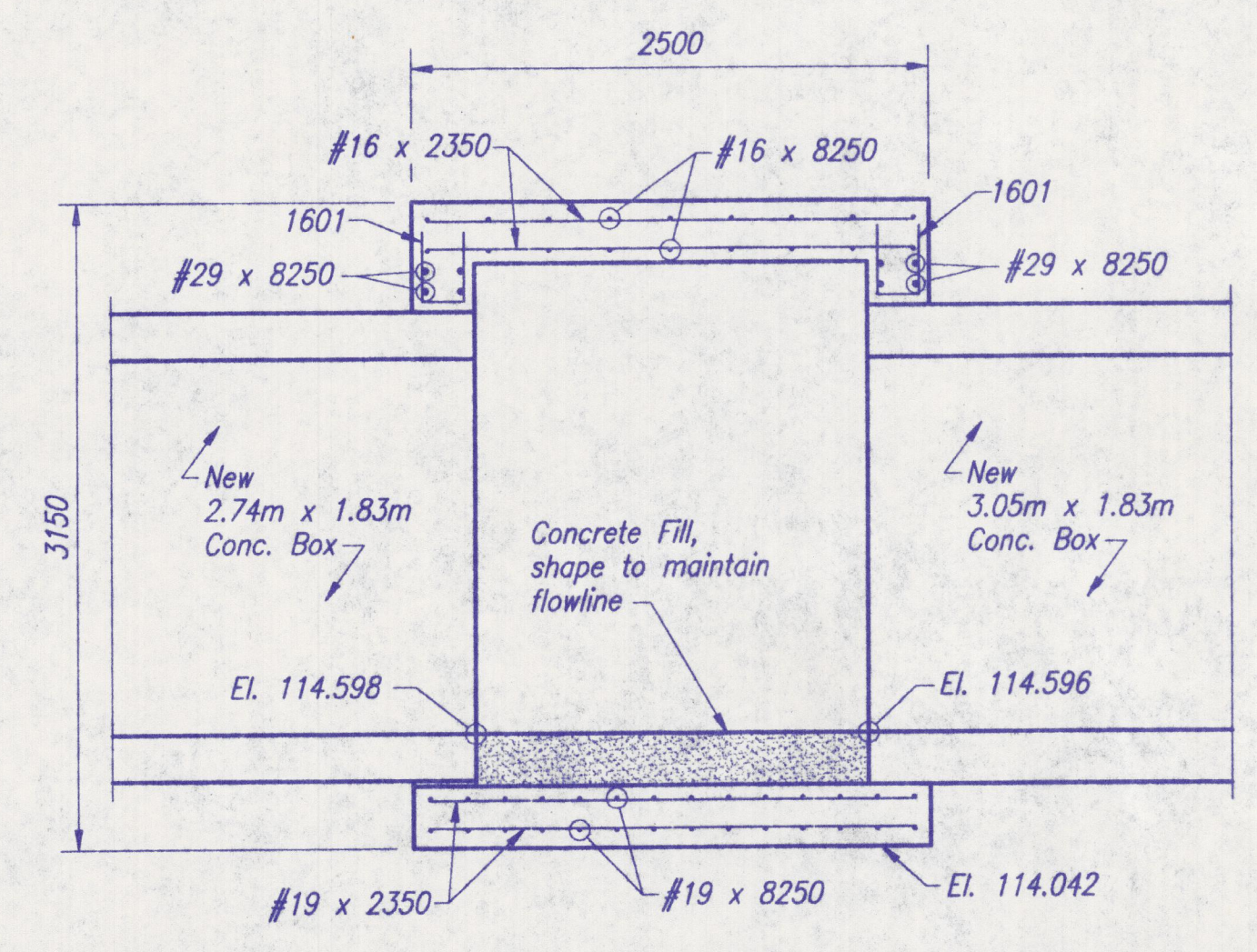


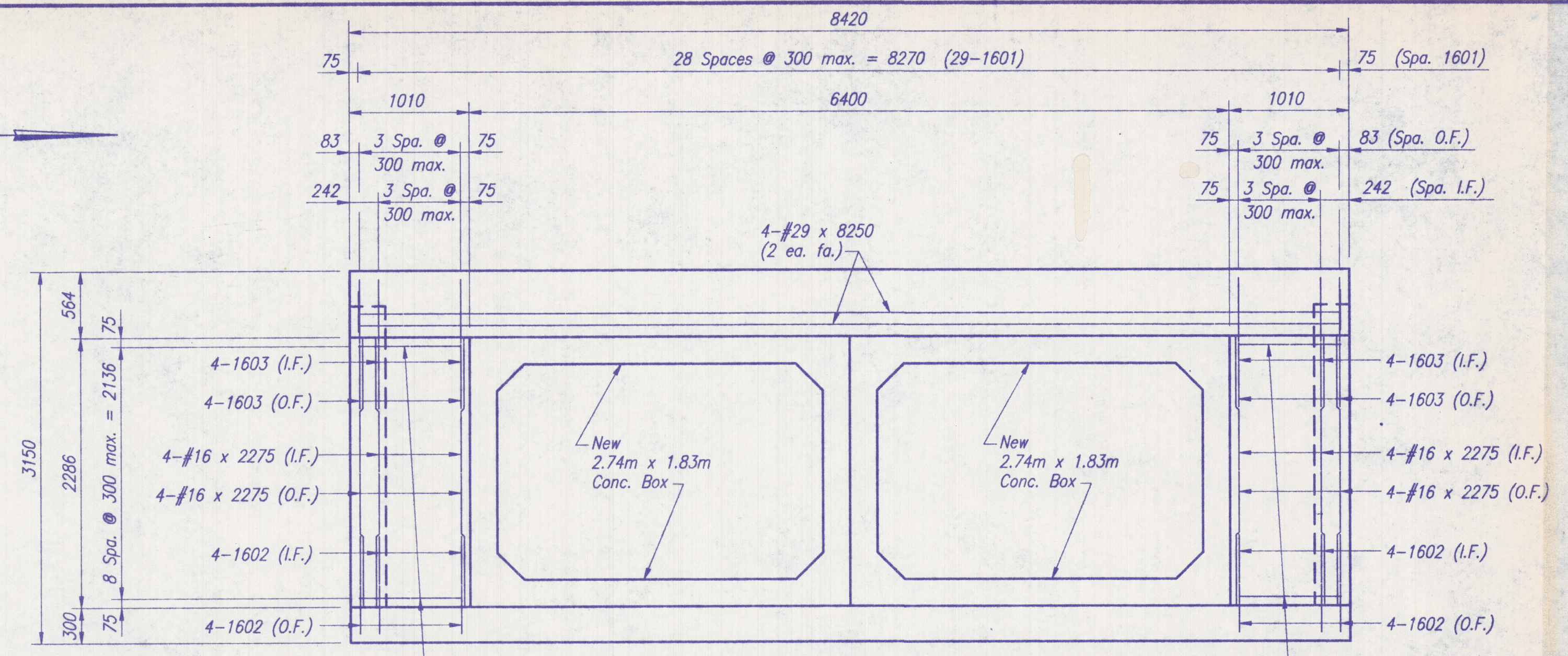
PLAN - TOP SLAB



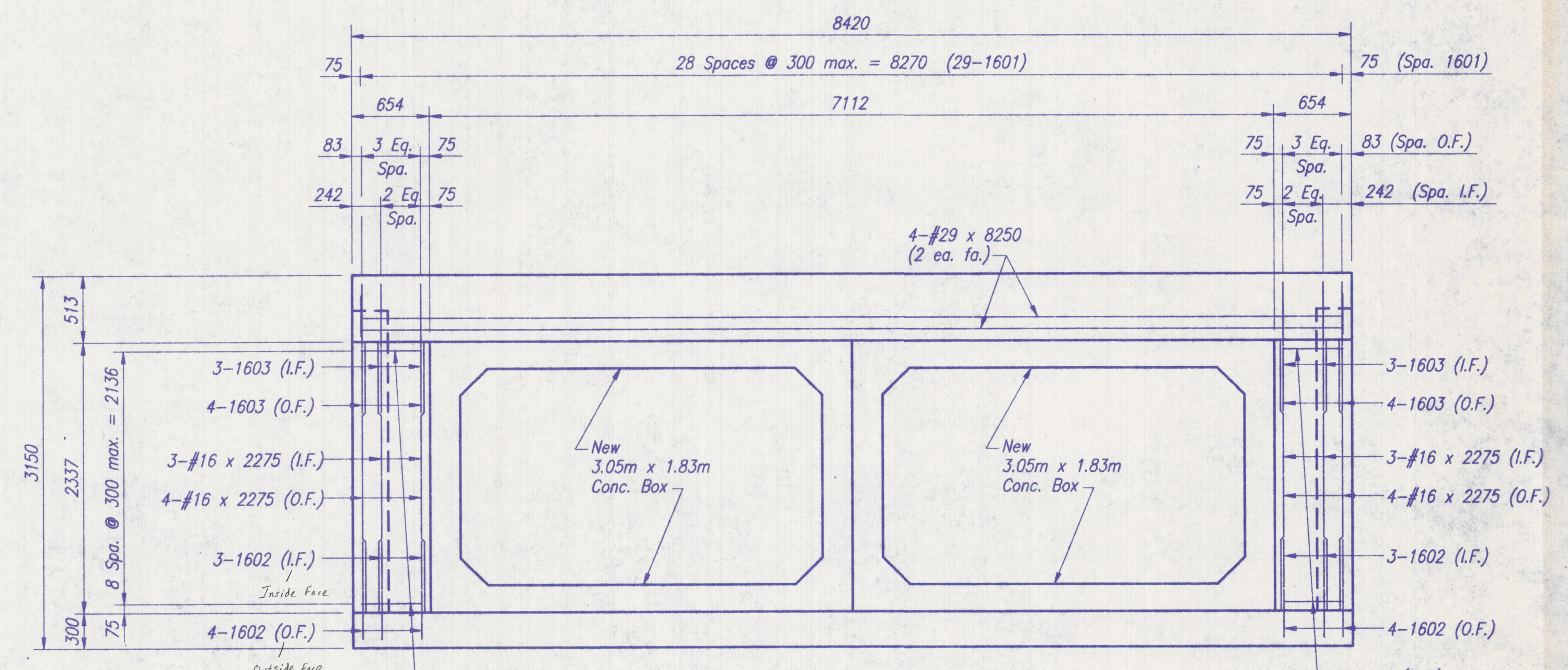
PLAN - BOTTOM SLAB



SECTION "A-A"



ELEVATION - SOUTH WALL



ELEVATION - NORTH WALL

NOTES:
 For Reinforcing Bar Notes, see Std. Drawing 703-BRST-01.
 For details of east and west walls, see Sht. No.
 For Bill Of Materials, see Sht. No.
 For location of Structure No. 14, see Sht. No.

96401 (8-80) (1.1.11.11)

	RECOMMENDED FOR APPROVAL <i>[Signature]</i> DESIGN ENGINEER DATE	INDIANA DEPARTMENT OF TRANSPORTATION STRUCTURE NO. 72 BURKHARDT ROAD	HORIZONTAL SCALE 1:33.3333 BRIDGE FILE
	DESIGNED: J.L.M. DRAWN: J.L.F.		VERTICAL SCALE 1:33.3333 DESIGNATION
	CHECKED: J.D.R. CHECKED:		SURVEY BOOK SHEETS 38 of 90
			CONTRACT PROJECT VC97-09-01