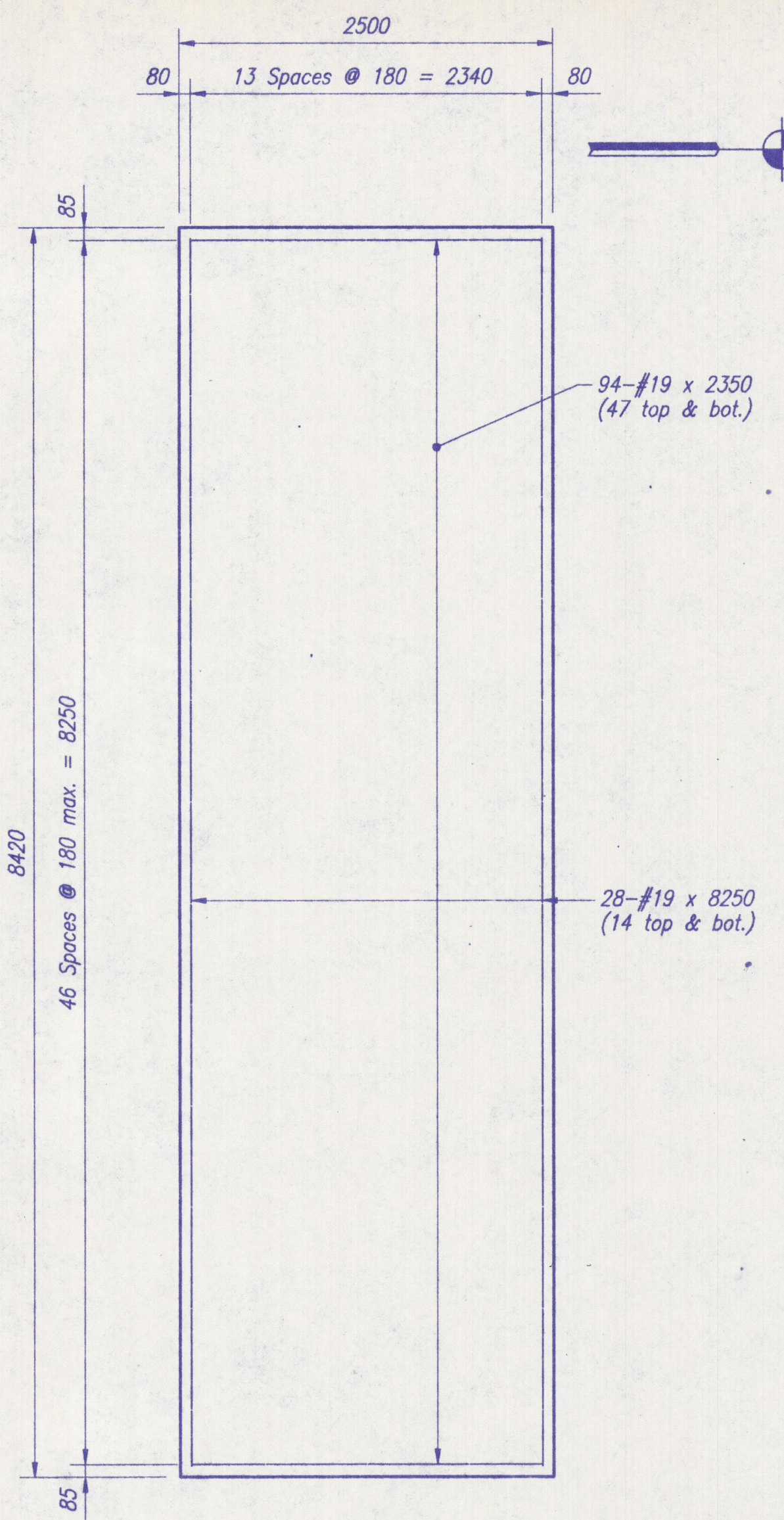
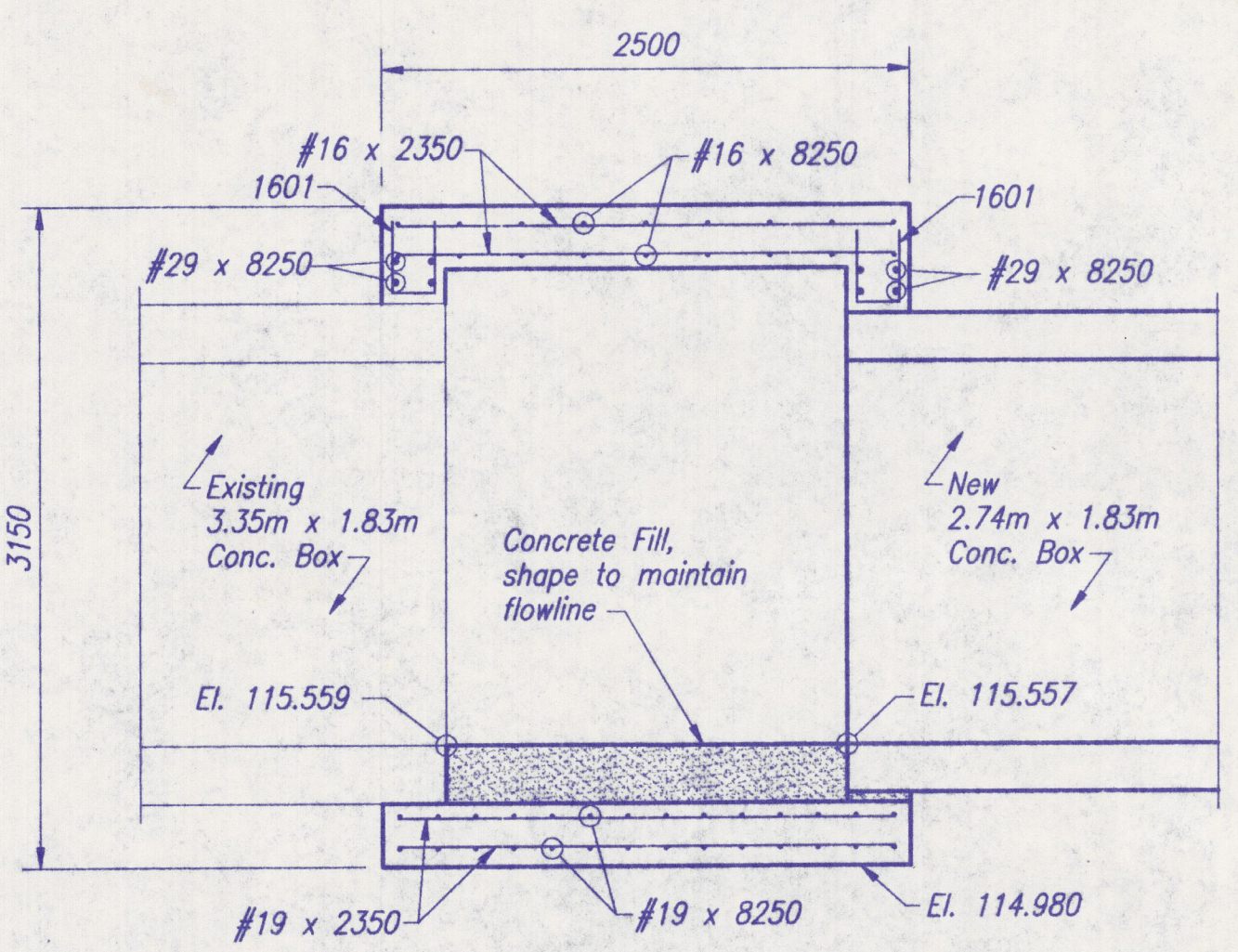


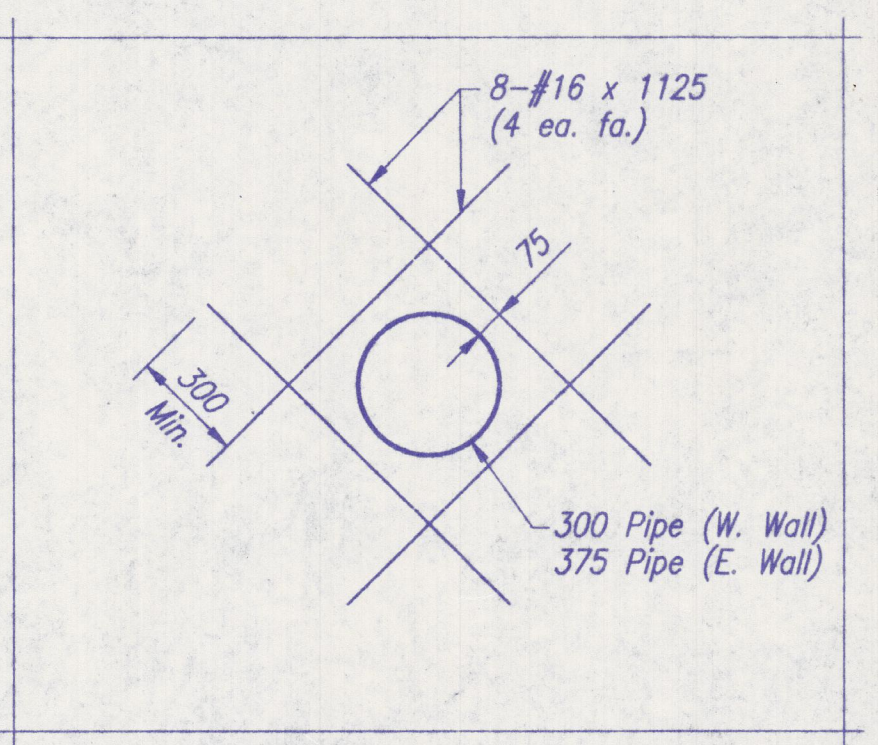
PLAN - TOP SLAB



PLAN - BOTTOM SLAB

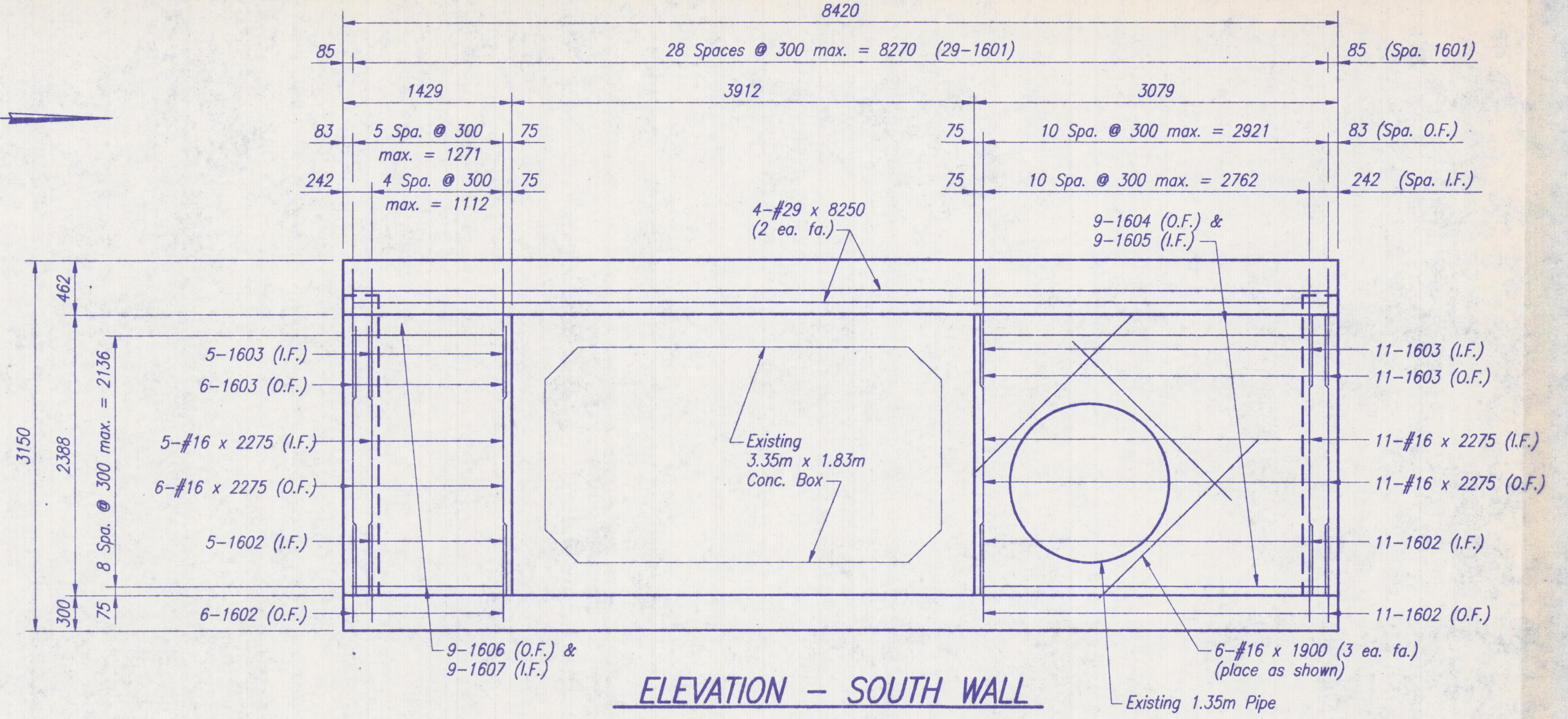


SECTION "A-A"

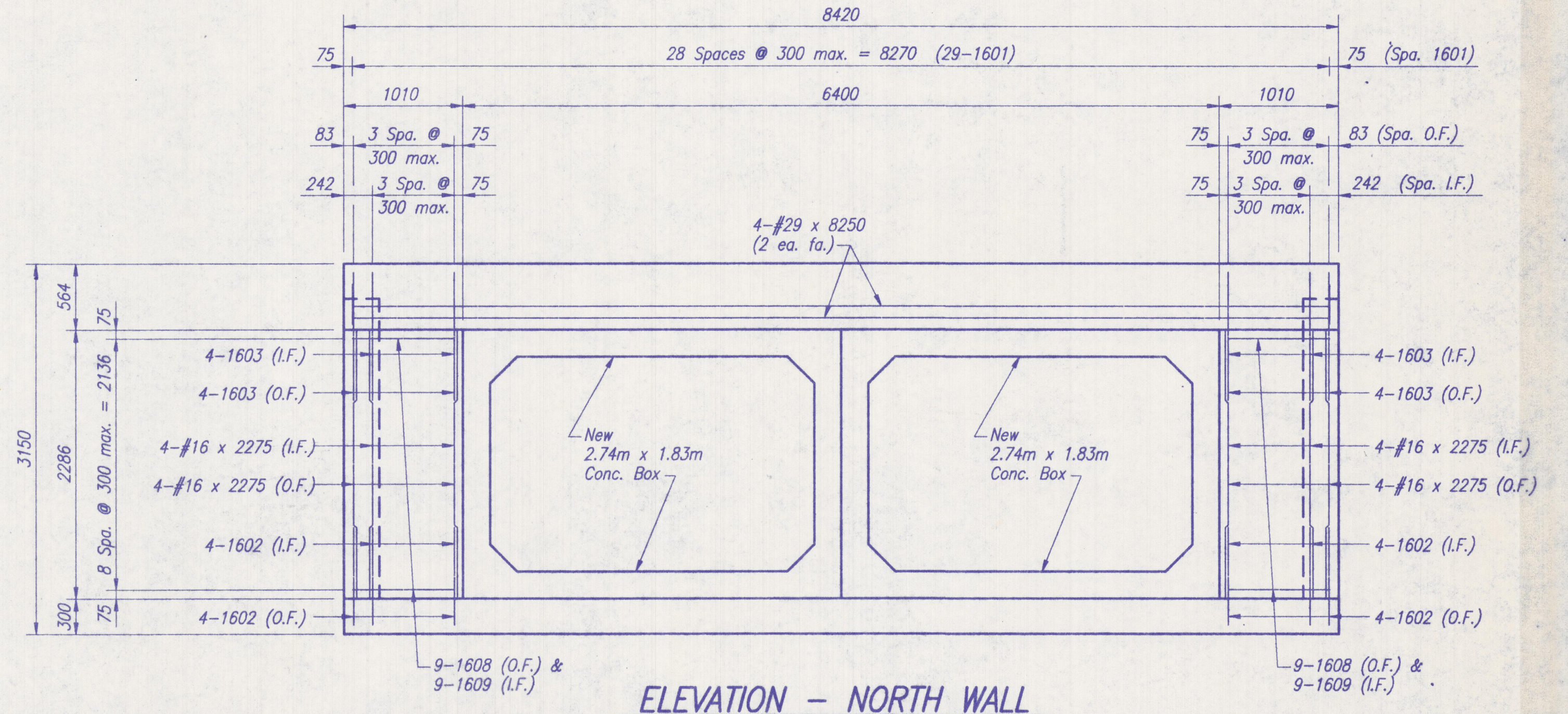


TYPICAL PIPE OPENING REINFORCING

Scale 1:20



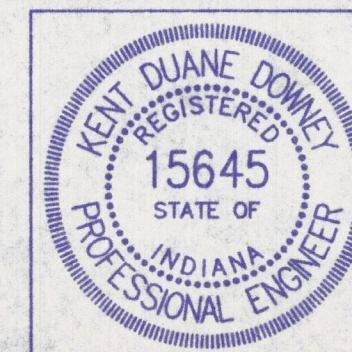
ELEVATION - SOUTH WALL



ELEVATION - NORTH WALL

NOTES:
 For Reinforcing Bar Notes, see Std. Drawing 703-BRST-01.
 For details of east and west walls, see Sht. No.
 For Bill Of Materials, see Sht. No.
 For location of Structure No. 14, see Sht. No.

964601BR-8041113.3333



RECOMMENDED FOR APPROVAL: *Robert Duane Downey* 9/19/87
 DESIGN ENGINEER DATE
 DESIGNED: J.L.M. DRAWN: J.L.F.
 CHECKED: J.D.R. CHECKED: J.D.R.

INDIANA DEPARTMENT OF TRANSPORTATION
 STRUCTURE NO. 14
 BURKHARDT ROAD

HORIZONTAL SCALE 1:33.3333	BRIDGE FILE
VERTICAL SCALE 1:33.3333	DESIGNATION
SURVEY BOOK	SHEETS 37 of 40
CONTRACT	PROJECT VC97-09-01