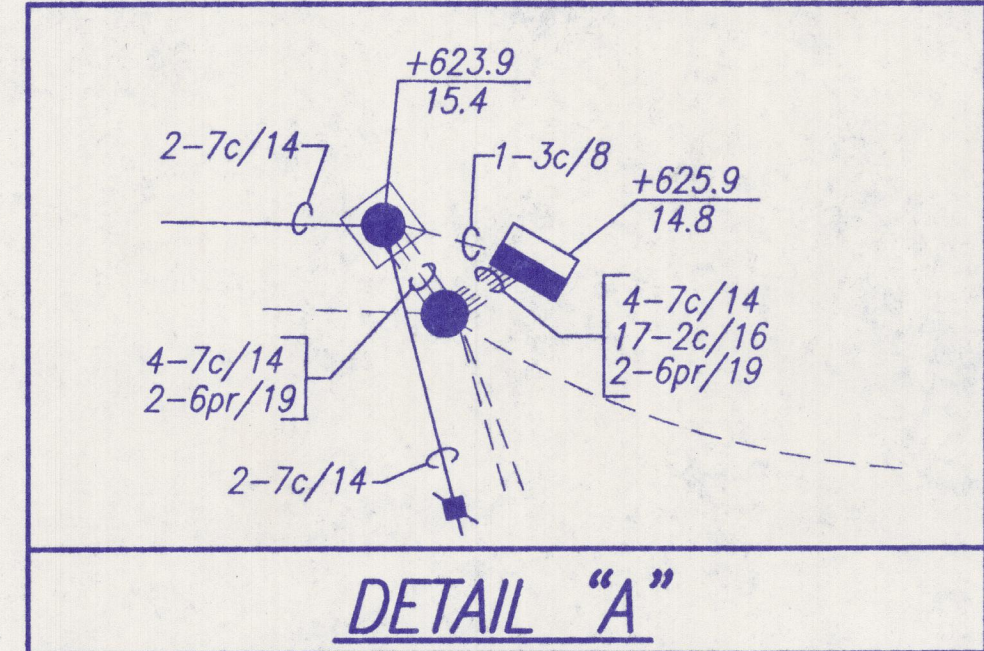
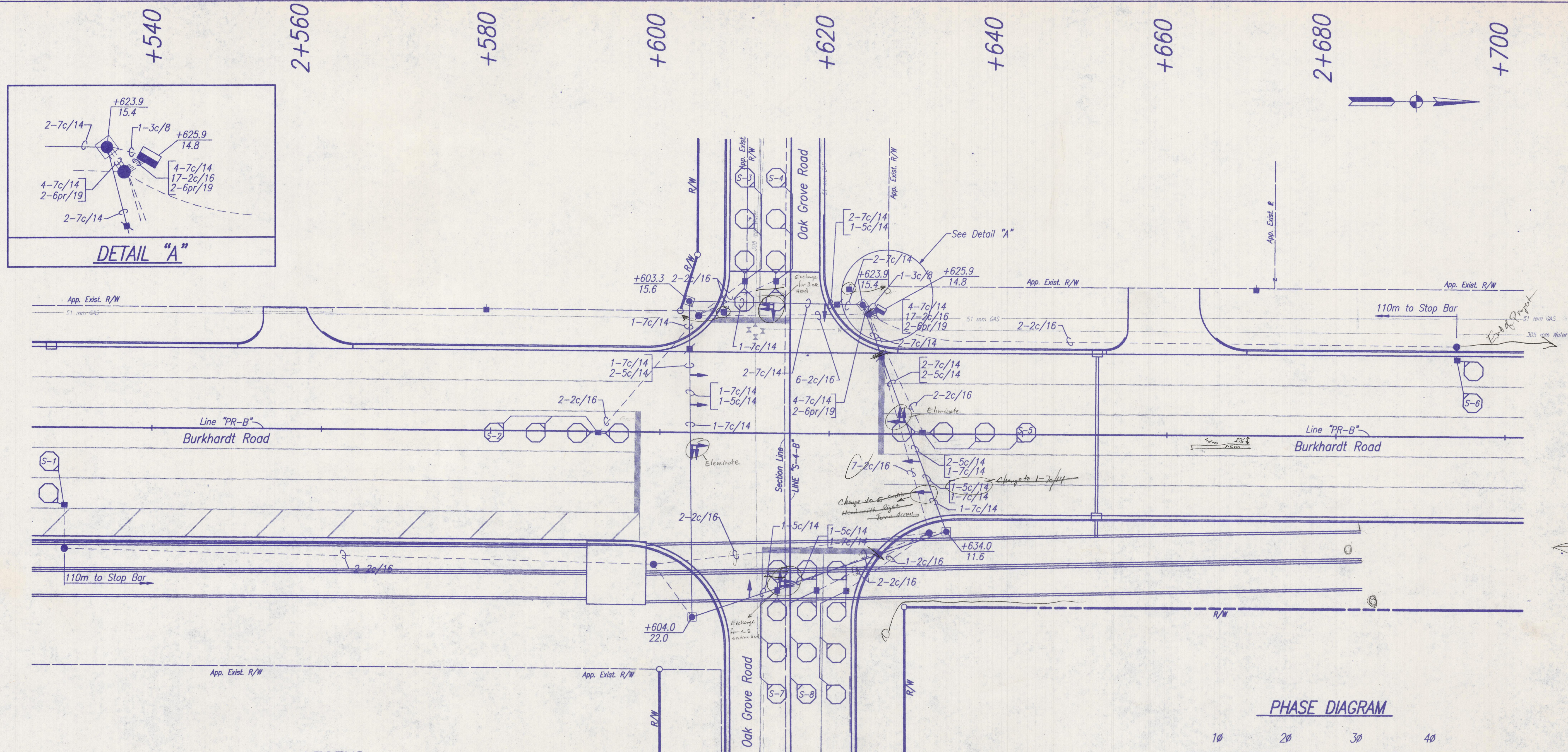


P:\jobs\96403\dwg\SHEETS\CENTRAL\Sigook 8-26-97 11:08:29 am EST scale 4:1

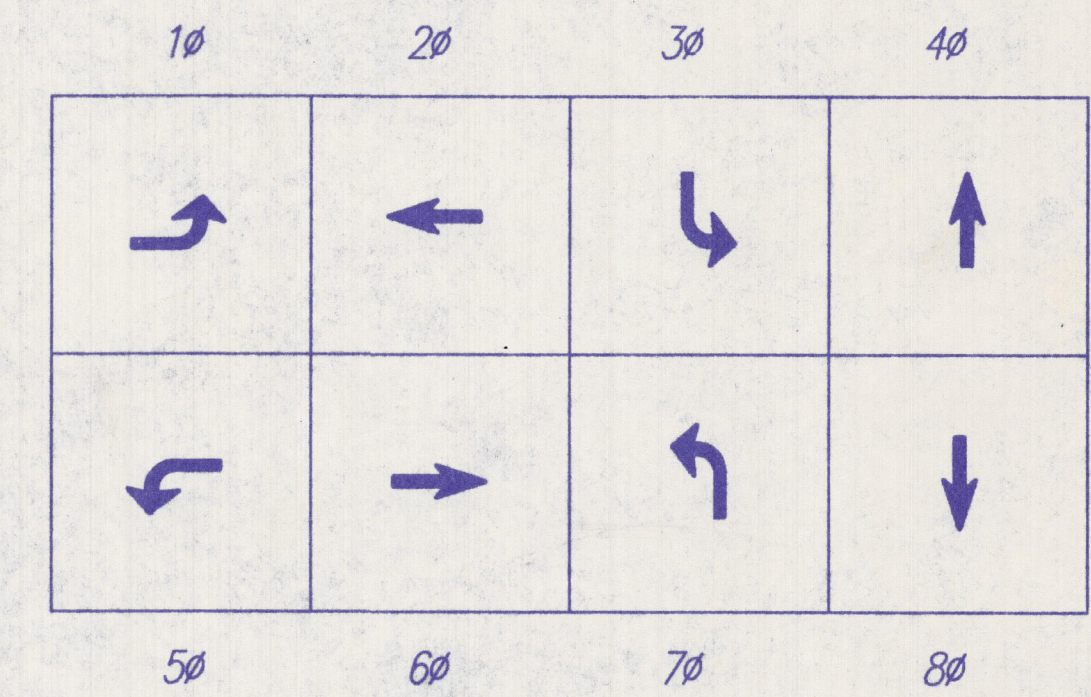


LEGEND

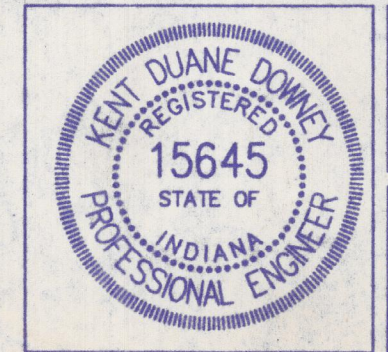
- 3-Section Traffic Signal (300mm Red, 300mm Amber, 300mm Green)
- 5-Section Traffic Signal (300mm Red, 300mm Amber, 300mm Green, 300mm Green Arrow, 300mm Amber Arrow)
- 50mm Galvanized Steel Conduit
- Handhole
- Detector Housing
- 9.1 Meter Steel Strain Pole
- Controller & Cabinet, Menu Driven, 8-Phase w/Evansville System Requirements & C.I.C.U., on Type P-1 Foundation
- ⚡ Disconnect Hanger
- ⊙ Span & Catenary, 0.95mm ϕ 7x19 Aircraft Cable w/Tether
- ⊙ 760mm Octagonal Loop, 4 Turns (In Series)
- ⊙ 760mm Octagonal Loop, 4 Turns (In Series) (To Be Wired As Local & Evansville System Detector)

Note: Signal Service from Power Pole in Northwest Quadrant
 2-6pr/19 TCC for Interconnect to be Run on SIGIECO Poles From Virginia Ave. to Oak Grove Road
 Connect Evansville System Detectors S-1 through S-8 to C.I.C.U. Inputs

PHASE DIAGRAM



MALFUNCTION DEFAULTS
 Oak Grove Road Flashes Red
 Burkhardt Rd. Flashes Red



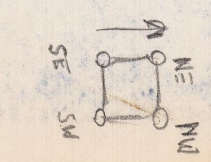
RECOMMENDED FOR APPROVAL: *Kent D. Downey* 9/19/97
 DESIGN ENGINEER DATE
 DESIGNED: D.A.V. DRAWN: D.A.V.,JRF
 CHECKED: G.L.R. CHECKED: G.L.R.

INDIANA DEPARTMENT OF TRANSPORTATION
OAK GROVE RD. & BURKHARDT RD. SIGNAL DETAILS

HORIZONTAL SCALE	BRIDGE FILE
1:250	
VERTICAL SCALE	DESIGNATION
SURVEY BOOK	SHEETS
	35 of 90
CONTRACT	PROJECT
	VC97-09-01

5/7
 257
 288.8
 2
 277.5

44 5/8



332
 2
 444