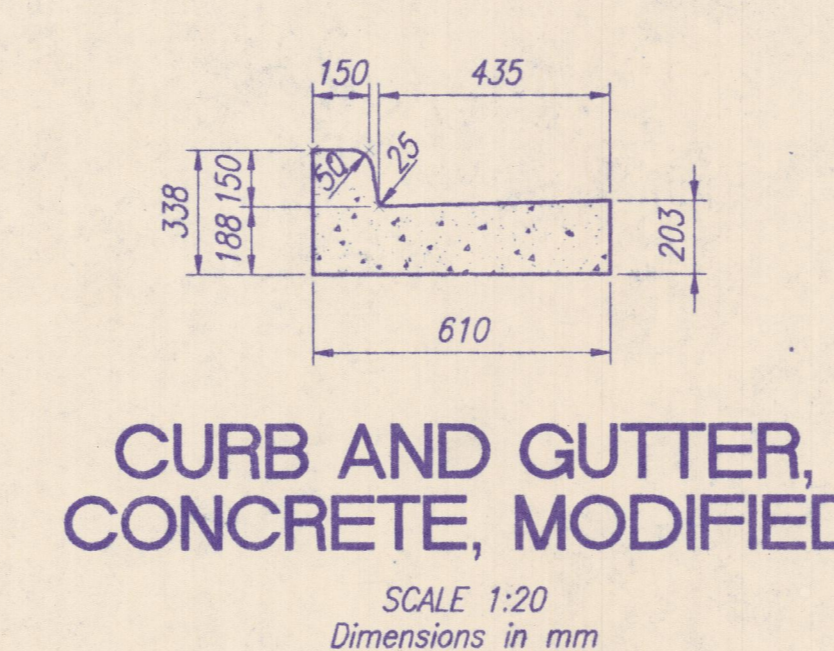
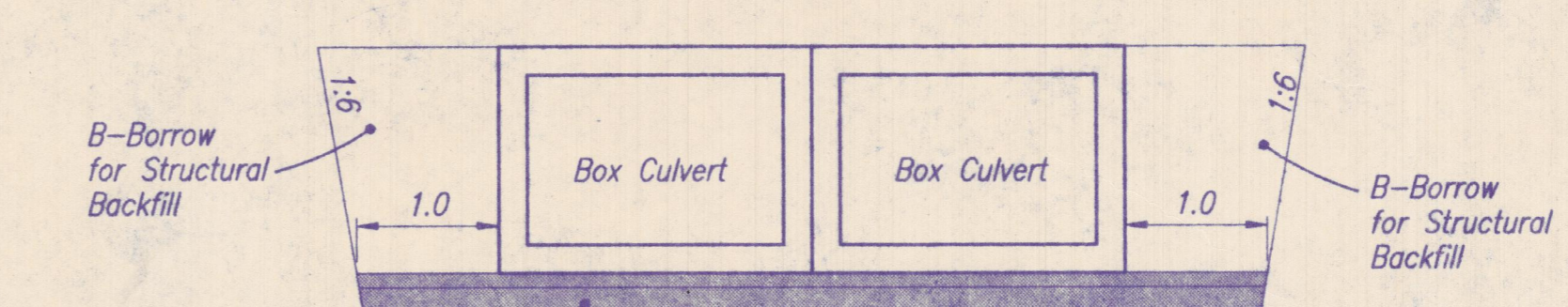


**UNDERDRAIN DETAIL**  
SCALE 1:20



**CURB AND GUTTER, CONCRETE, MODIFIED**  
SCALE 1:20  
Dimensions in mm



**B-BORROW FOR STRUCTURAL BACKFILL**

- LEGEND**
- (K) Full Depth Bituminous Pavement \*
    - 60 kg/m<sup>2</sup> QC/QA HMA Surface 9.5mm, Mainline, on
    - 150 kg/m<sup>2</sup> QC/QA HMA Intermediate 19.0mm, Mainline, on
    - 270 kg/m<sup>2</sup> QC/QA HMA Base 25.0mm, Mainline, on
    - 248 kg/m<sup>2</sup> HMA Base C25.0mm, Mainline, on
    - 270 kg/m<sup>2</sup> QC/QA HMA 25.0mm, Mainline
  - (M) Bituminous Milling
  - (D) Bedding for 3.35 X 1.83 Box Culvert
    - 100 mm Compacted Aggregate For Base, Type "O" #8, on
    - 200 mm Compacted Aggregate For Base, Type "O" #2.
  - (R<sub>1</sub>) Bituminous Resurface \*
    - 60 kg/m<sup>2</sup> QC/QA HMA Surface 9.5mm, Mainline
  - (13) Curb, Concrete
  - (15) Curb and Gutter, Concrete, Modified
  - (W) Bituminous Widening \*
    - 270 kg/m<sup>2</sup> QC/QA HMA Base 25.0mm, Mainline, on
    - 248 kg/m<sup>2</sup> HMA Base C25.0mm, Mainline, on
    - 270 kg/m<sup>2</sup> QC/QA HMA 25.0mm, Mainline
- \* Asphalt Binder PG70-22

DIMENSIONS IN METERS UNLESS OTHERWISE NOTED.

16401(DWG) (CS) (GENERAL) (2021) 00-1 (08-19-97)						RECOMMENDED FOR APPROVAL	<i>Scott O. Downey 9/1/17</i>	<b>INDIANA DEPARTMENT OF TRANSPORTATION</b>  <b>BURKHARDT ROAD</b> <b>TYPICAL CROSS SECTIONS</b>	HORIZONTAL SCALE	BRIDGE FILE
						DESIGNED: <i>ATW</i>	DRAWN: <i>CEB</i>		VERTICAL SCALE	DESIGNATION
						CHECKED: <i>GLR</i>	CHECKED: <i>GLR</i>		SURVEY BOOK	SHEETS
									CONTRACT	3 of 90 PROJECT
									VC97-09-01	