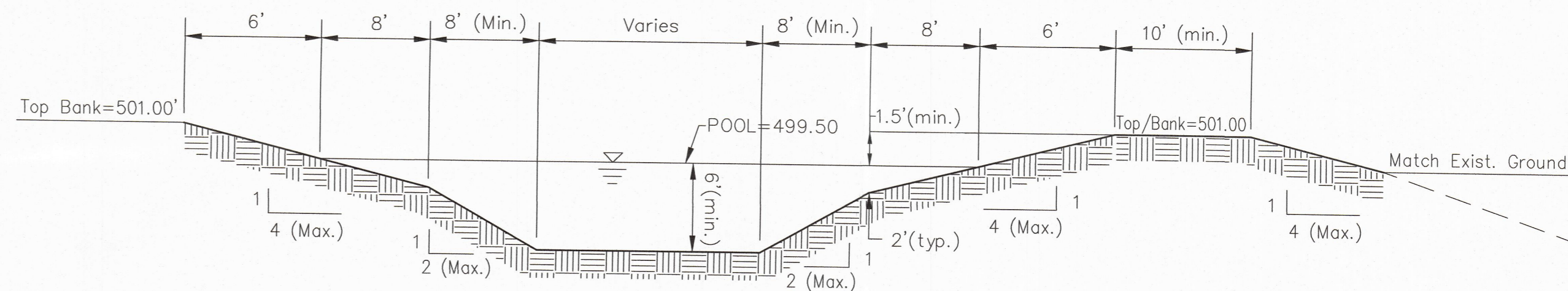


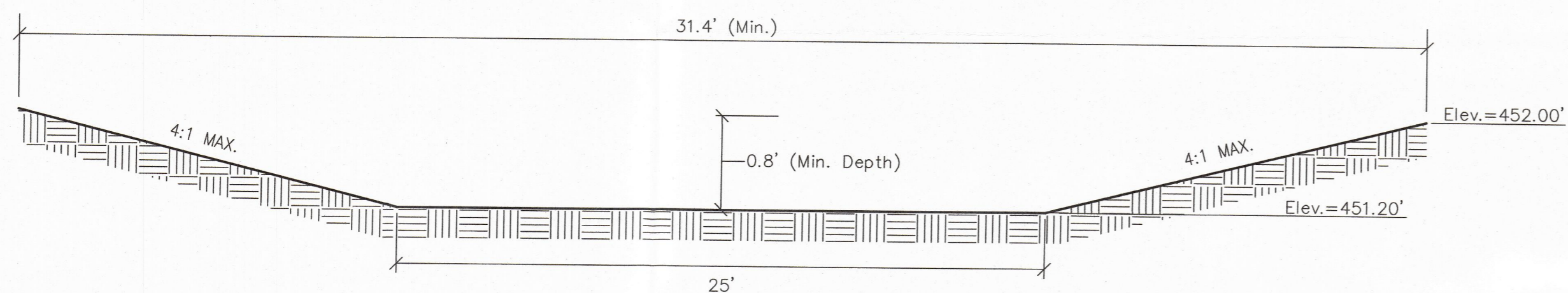
DETENTION BASIN #1 CROSS SECTION

Scale: N.T.S.



DETENTION BASIN #2 CROSS SECTION

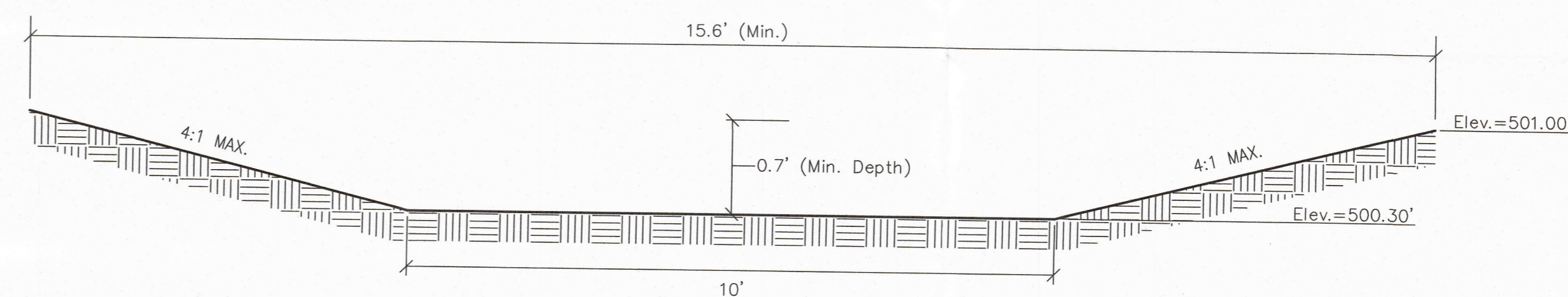
Scale: N.T.S.



NOTES:
1. A 5% slope or greater is required for the emergency spillway.

**DETENTION BASIN #1
EMERGENCY SPILLWAY CROSS-SECTION**

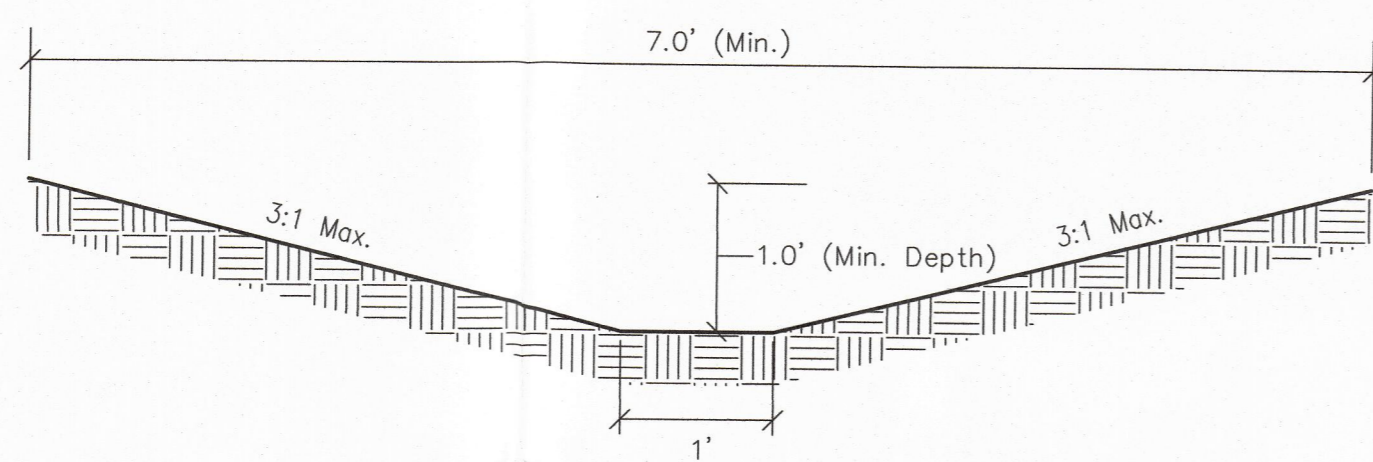
Scale: N.T.S.



NOTES:
1. A 5% slope or greater is required for the emergency spillway.

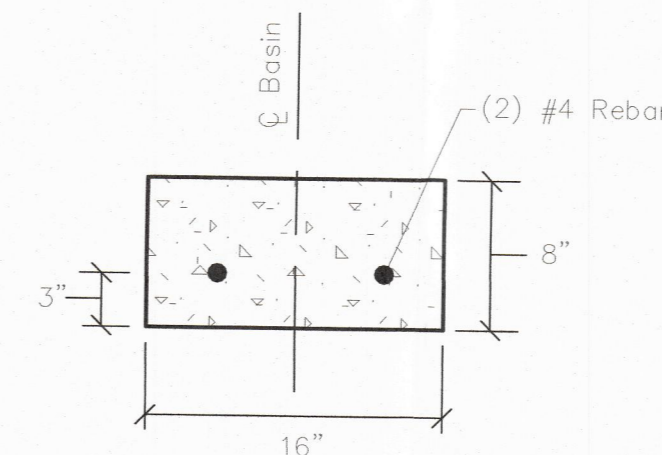
**DETENTION BASIN #2
EMERGENCY SPILLWAY CROSS-SECTION**

Scale: N.T.S.



TYPICAL SWALE CROSS-SECTION

Scale: N.T.S.



CONCRETE RIBBON

Scale: N.T.S.

**PRELIMINARY-NOT APPROVED BY
DRAINAGE BOARD**

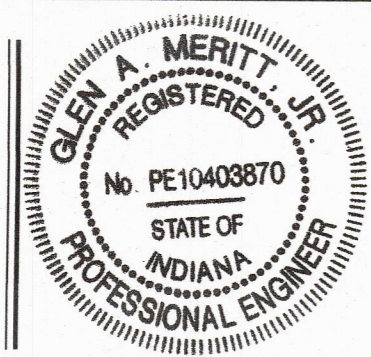
RECEIVED BY THE
VANDERBURGH COUNTY
SURVEYOR'S OFFICE

5-4-18 CA

This drawing and/or specifications is provided as an instrument of service provided by Cash Wagner & Associates, PC and is intended for use on this project only. All drawings, specifications, designs, models, ideas, calculations, and arrangements appearing herein constitute the original and unpublished work of and remain the property of Cash Wagner & Associates, PC. Any reproduction, use or disclosure of the proprietary information contained herein without the prior written consent of the Cash Wagner & Associates, PC is strictly prohibited.

Written dimensions shown hereon shall take precedence over scaled dimensions. Contractors shall calculate and measure required dimensions. Notify Cash Wagner & Associates, PC with any variations in dimensions or conditions from those indicated on these drawings. This drawing was based on available information. Commencement of Work constitutes verification and acceptance of existing conditions.

Application of a material or equipment to Work installed by others constitutes acceptance of that Work and assumption of responsibility for satisfactory installation.



Glen A. Merritt
SIGNATURE
2 May 18
DATE



**CASH WAGNER
& ASSOCIATES, PC**
CONSULTING | ENGINEERING | SURVEYING

414 CITADEL CIRCLE
SUITE B
EVANSVILLE, IN 47715
PH: 812.401.5561
FAX: 812.401.5563
CELL: 812.774.2988
E-MAIL: GMERRIT@
CASHWAGNER.COM

NO.	DATE	BY	DESCRIPTION
REVISIONS			

PROJECT NO.: 18-3294
DESIGNED BY:
DRAWN BY: G.A.M.
FILENAME: 3294 DrainageDtls
LAYOUT TAB:
SCALE: As Shown

PROJECT: BROWNING MANOR
ADDRESS: BROWNING ROAD
EVANSVILLE, INDIANA
SHEET TITLE: DRAINAGE
DETAILS

DATE: 05.02.18
DRAWING NO.: C-111
OF: