

GENERAL NOTES

• THE FOLLOWING LOCAL GOVERNMENTAL AGENCY SHALL BE NOTIFIED 24 HOURS PRIOR TO BEGINNING WORK AND ON A DAILY BASIS WHEN PERFORMING THE WORK LISTED BELOW:

STORM SEWERS, STREET SUBGRADE, STREETS
VANDERBURGH COUNTY ENGINEER 612-435-5773

GENERAL SITE

- WORK COVERS ALL EARTHWORK, SEWERS, PAVING AND OTHER RELATED WORK FOR THE DEVELOPMENT OF "BRIDLEWOOD-SECTION 3"
- THE CONTRACTOR SHALL COMPLY WITH ALL LOCAL, STATE AND FEDERAL CODES, ORDINANCES, RULES, REGULATIONS, ORDERS AND OTHER LEGAL REQUIREMENTS OF MUNICIPAL AUTHORITIES WHICH BEAR ON THE PERFORMANCE OF THE WORK.
- ALL FIELD ENGINEERING SHALL BE SUPPLIED BY THE OWNER.

EXCAVATING

- ROADWAY SUBGRADE COMPACTION TESTS SHALL BE PERFORMED AT CONTRACTORS EXPENSE.
- SUFFICIENT SOIL SAMPLES ARE TO BE TAKEN BY THE CONTRACTOR FROM THE ROADWAY SUBGRADE AFTER THE TOPSOIL IS REMOVED OR FROM BORROW AREAS IN ORDER TO OBTAIN ACCURATE PROCTOR VALUES FOR SUBSEQUENT SUBGRADE DENSITY TESTING.
- SUBGRADE IS TO BE COMPACTED IN ACCORDANCE WITH VANDERBURGH COUNTY ROAD STANDARDS.
- SUBGRADE DENSITY IS TO BE TESTED AT A MINIMUM OF ONE TEST PER SECTION OF ROADWAY CONNECTED BY AN INTERSECTION. OTHERS MAY BE REQUESTED AT THE DISCRETION OF THE INSPECTOR OR ENGINEER.
- DRAWINGS DO NOT REPRESENT A BALANCE BETWEEN BORROW AND FILL MATERIAL.

Written dimensions on these drawings shall have precedence over scale dimensions. Contractors shall verify and be responsible for all dimensions and conditions shown on these drawings and conditions shown by these drawings.

SITECON, Inc.
Engineers-Surveyors

10335 Hedden Rd. Suite 2
Evansville, Indiana 47725
(812) 868-0877

Project: BRIDLEWOOD-SECTION 3

Sheet Title: STORM DETAILS

Revisions

No.	By	Date	Description

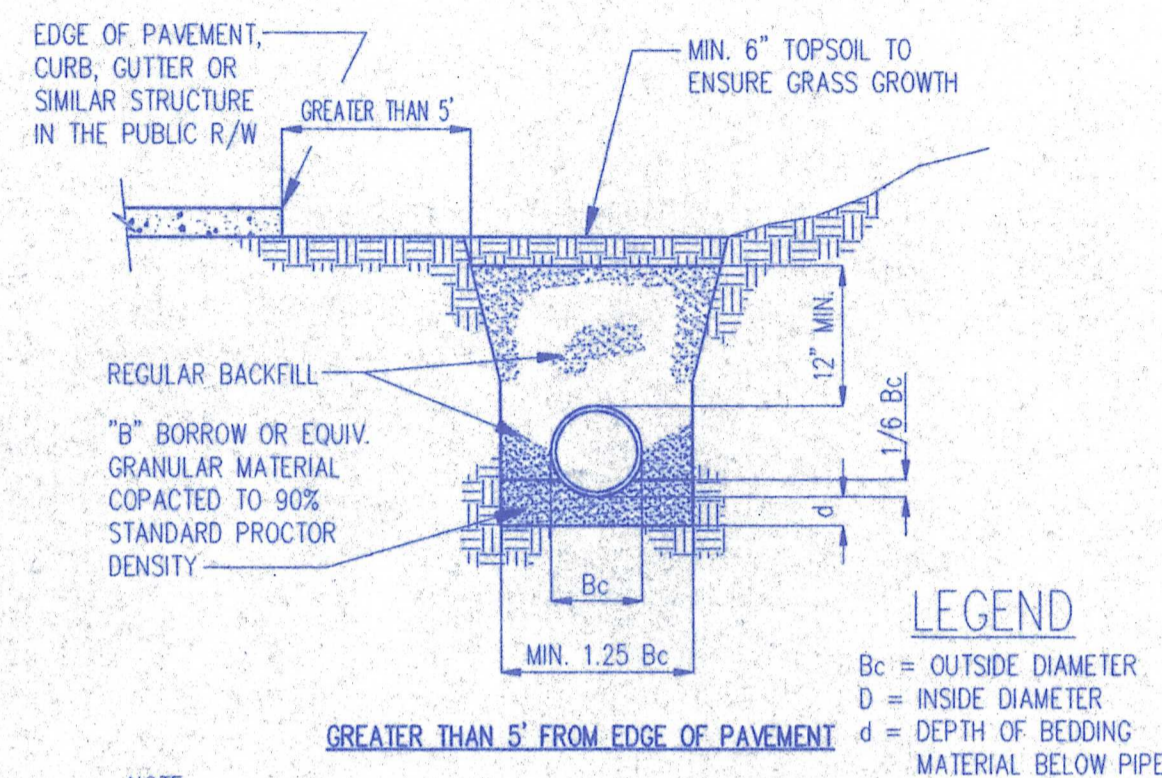


Plot Scale: 1"=50'

Scale: AS NOTED

Designed By: P.J.G. Job Number: 109-01-27
Drawn By: P.J.G. Date: 08-30-01

Filename: STORDET.DWG
Sheet Number: DE-3



NOTE:

ALL BEDDING & INITIAL BACKFILL SHALL BE INSTALLED IN 6" TO 12" BALANCED LIFTS

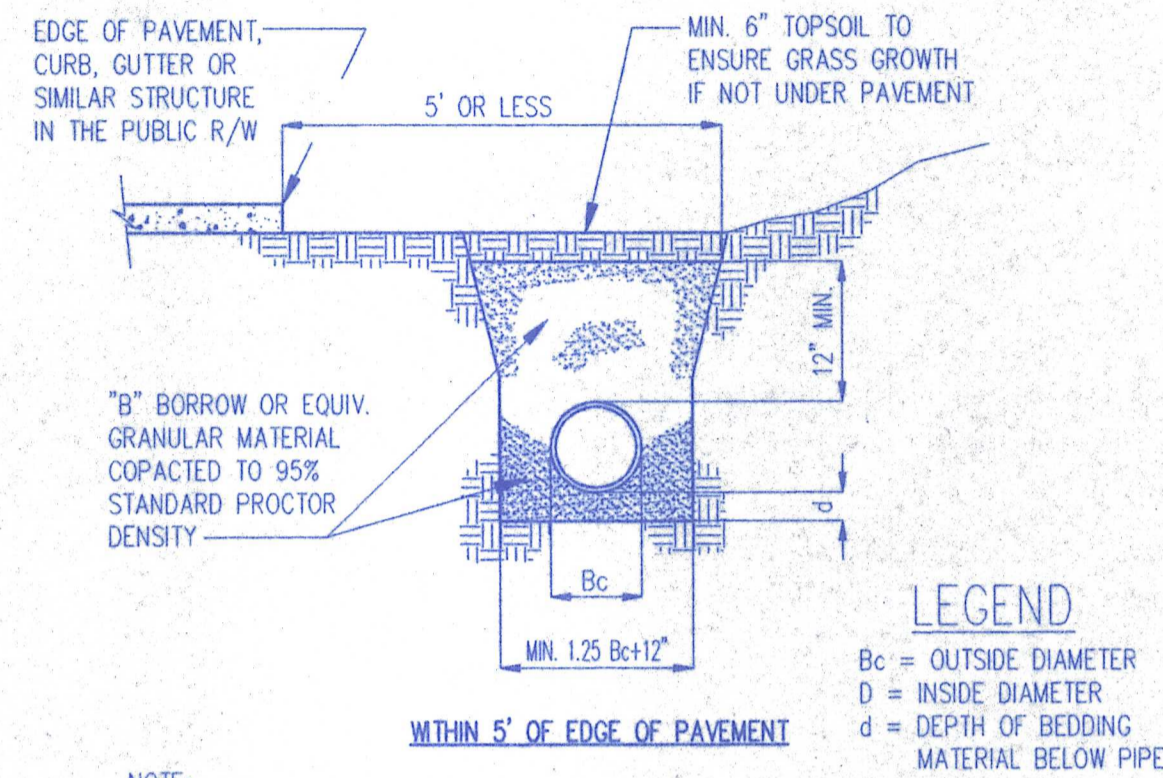
A MINIMUM 9" OF CLEARANCE SHALL BE PROVIDED ON EACH SIDE OF THE INSTALLED PIPE

DEPTH OF BEDDING MATERIAL BELOW PIPE (d), min.	D
27" & SMALLER	3"
30" TO 60"	4"
66" & LARGER	6"

PIPE BEDDING DETAIL

RCP - CLASS III OR IV

SCALE: N.T.S.



NOTE:

ALL BEDDING & INITIAL BACKFILL SHALL BE INSTALLED IN 6" TO 12" BALANCED LIFTS

A MINIMUM 9" OF CLEARANCE SHALL BE PROVIDED ON EACH SIDE OF THE INSTALLED PIPE

DEPTH OF BEDDING MATERIAL BELOW PIPE (d), min.	D
27" & SMALLER	3"
30" TO 60"	4"
66" & LARGER	6"

PIPE BEDDING DETAIL

RCP - CLASS III OR IV

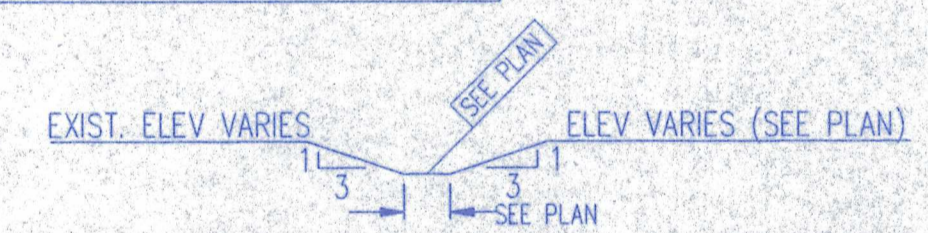
SCALE: N.T.S.

BID ALTERNATE "A"

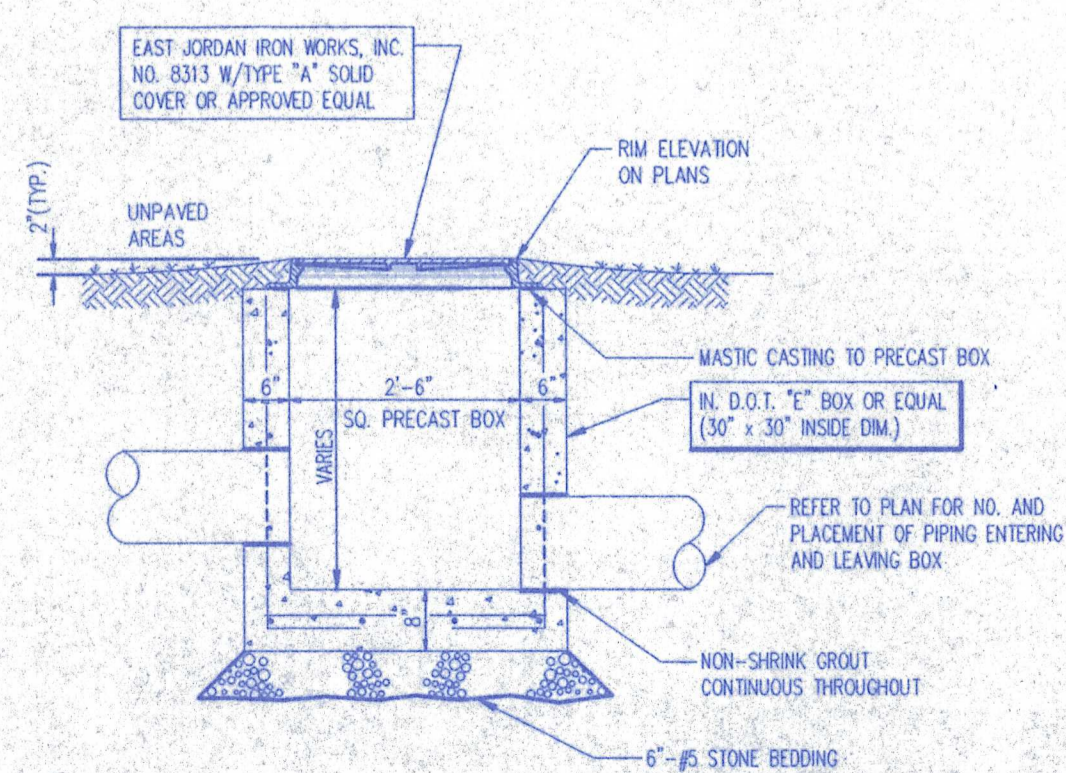
RECORD DRAWING

STORM 9-19-02

FOR DITCH FLOWLINES OF 0%-2% USE "VERDYOL ERO-MAT STANDARD" EROSION CONTROL BLANKET OR APPROVED EQUAL.
FOR DITCH FLOWLINES OF 2%-6% USE "VERDYOL ERO-MAT HIGH VELOCITY" EROSION CONTROL BLANKET OR APPROVED EQUAL.

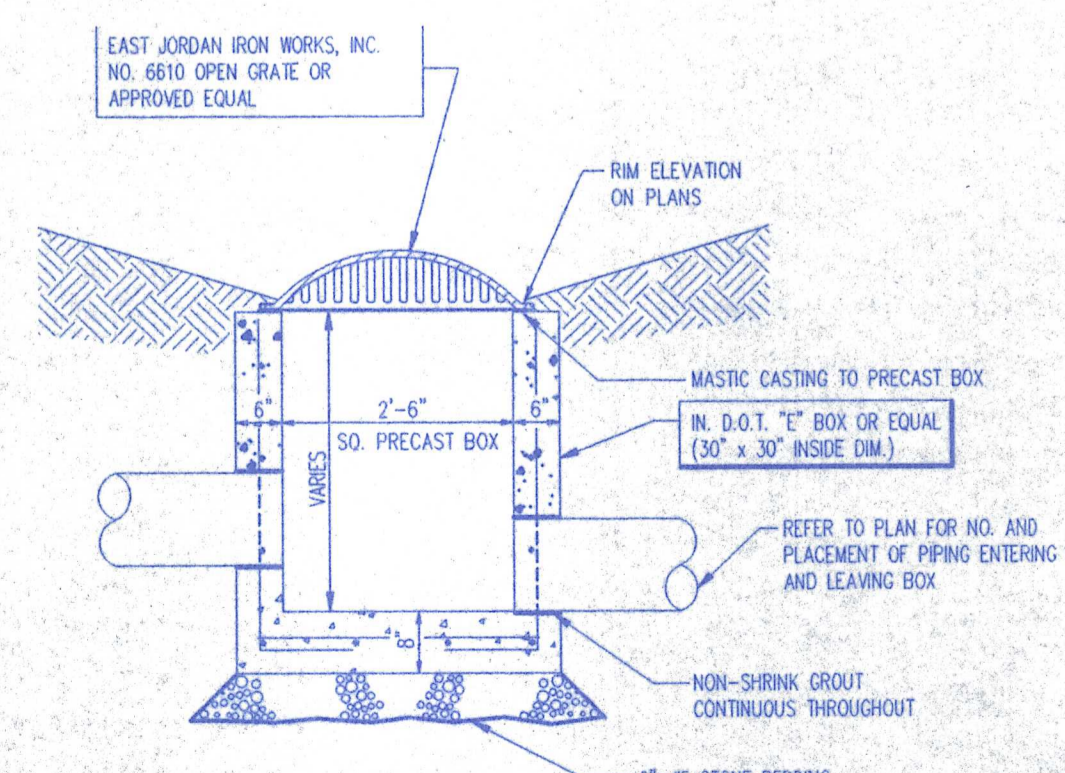


TYP. DITCH SECTION
N.T.S.



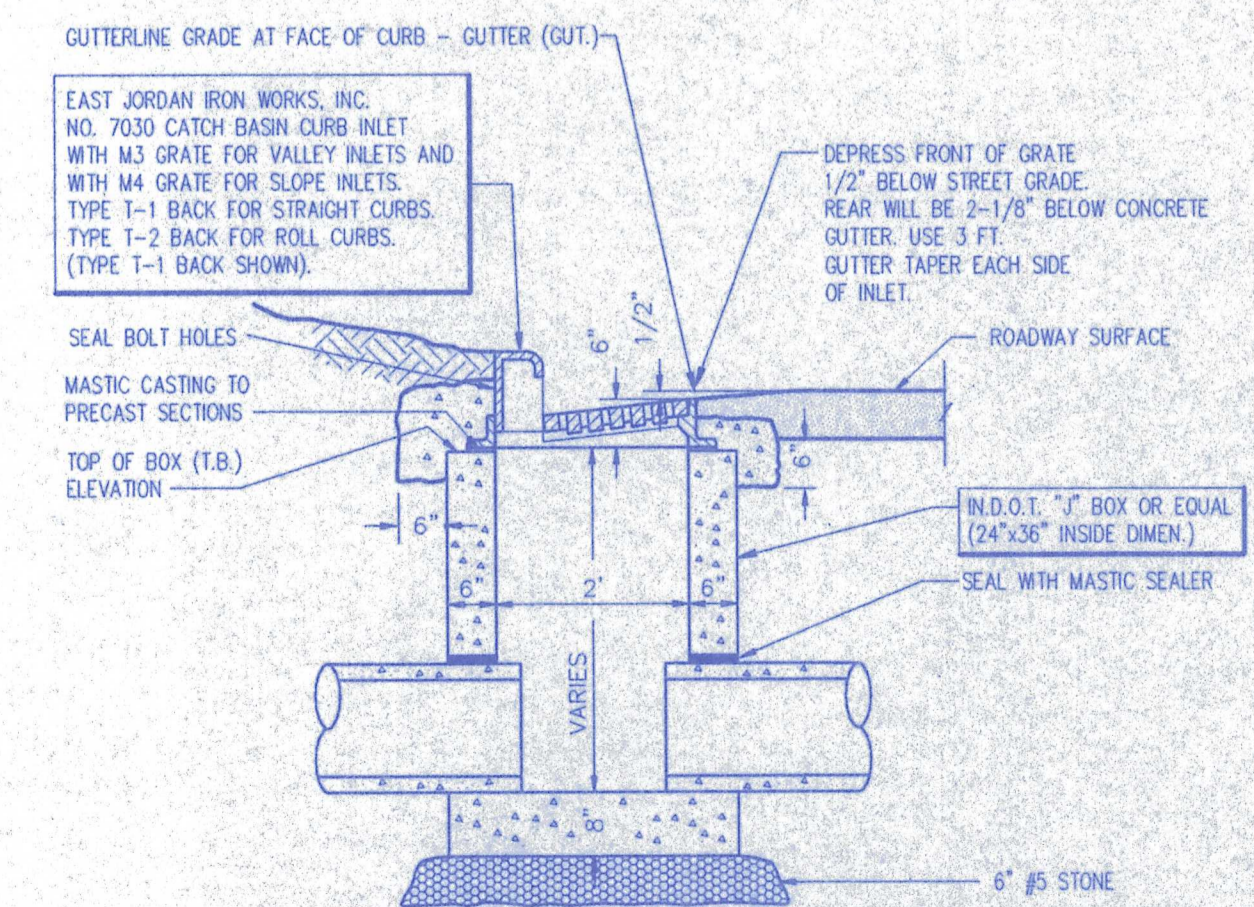
MANHOLE DETAIL

TYPE "E"-8313-A SCALE: N.T.S.



AREA INLET DETAIL

TYPE "E"-6610 SCALE: N.T.S.



CURB INLET DETAIL

TYPE "J"-7030 SCALE: N.T.S.