

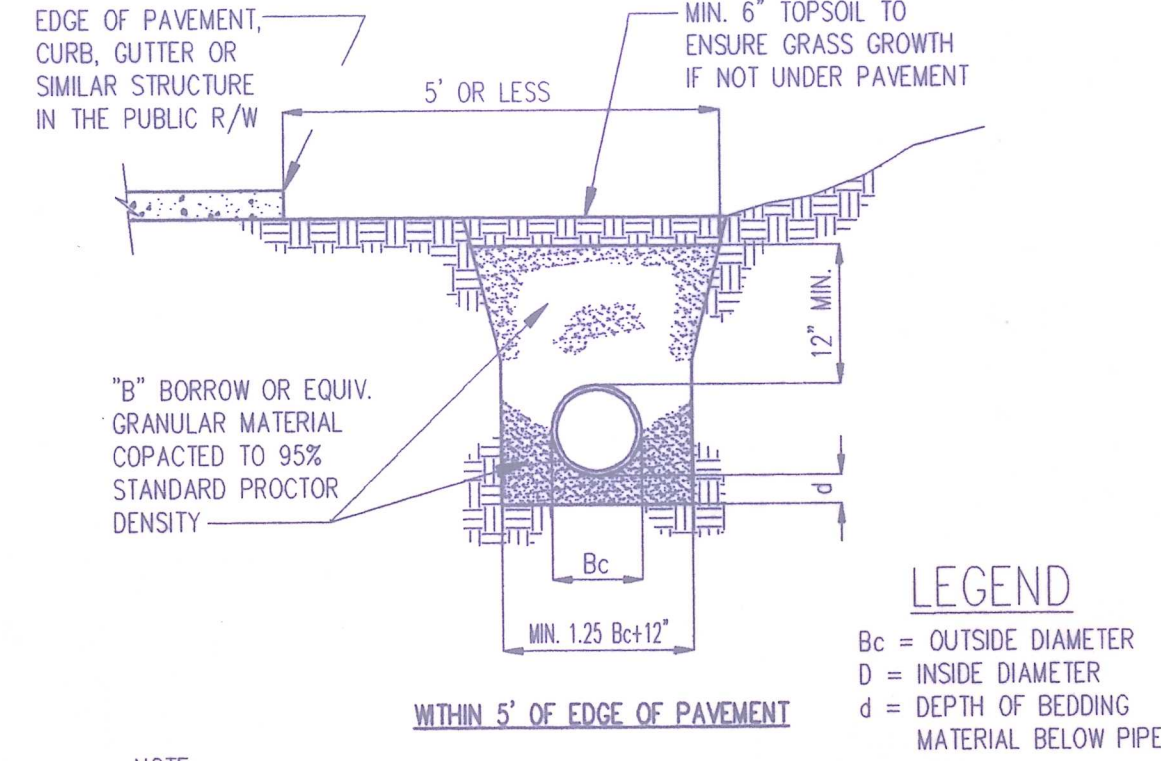
**LEGEND**  
 Bc = OUTSIDE DIAMETER  
 D = INSIDE DIAMETER  
 d = DEPTH OF BEDDING MATERIAL BELOW PIPE

**NOTE:**  
 ALL BEDDING & INITIAL BACKFILL SHALL BE INSTALLED IN 6" TO 12" BALANCED LIFTS

DEPTH OF BEDDING MATERIAL BELOW PIPE (d) min.	D	d min.
27" & SMALLER	3"	3"
30" TO 60"	4"	4"
66" & LARGER	6"	6"

A MINIMUM 9" OF CLEARANCE SHALL BE PROVIDED ON EACH SIDE OF THE INSTALLED PIPE

**PIPE BEDDING DETAIL**  
 RCP - CLASS III OR IV SCALE: N.T.S.



**LEGEND**  
 Bc = OUTSIDE DIAMETER  
 D = INSIDE DIAMETER  
 d = DEPTH OF BEDDING MATERIAL BELOW PIPE

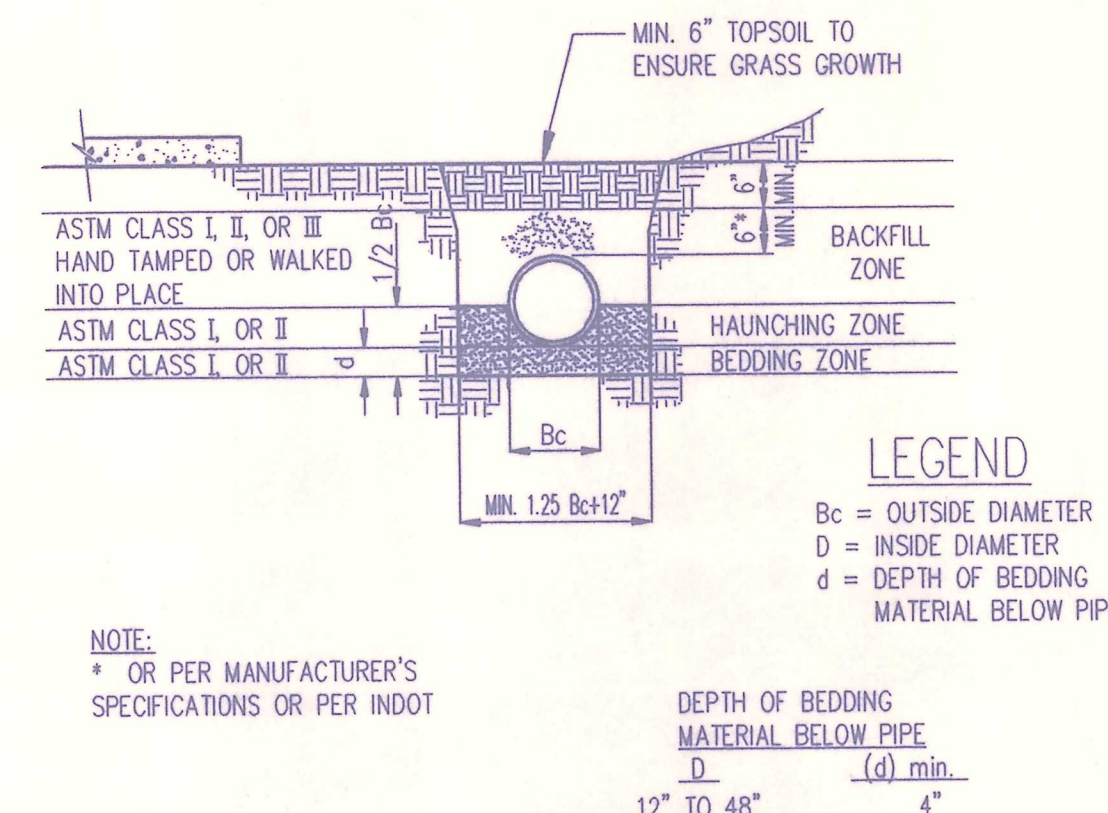
**NOTE:**  
 ALL BEDDING & INITIAL BACKFILL SHALL BE INSTALLED IN 6" TO 12" BALANCED LIFTS

DEPTH OF BEDDING MATERIAL BELOW PIPE (d) min.	D	d min.
27" & SMALLER	3"	3"
30" TO 60"	4"	4"
66" & LARGER	6"	6"

A MINIMUM 9" OF CLEARANCE SHALL BE PROVIDED ON EACH SIDE OF THE INSTALLED PIPE

**PIPE BEDDING DETAIL**  
 RCP - CLASS III OR IV SCALE: N.T.S.

**BID ALTERNATE "A"**

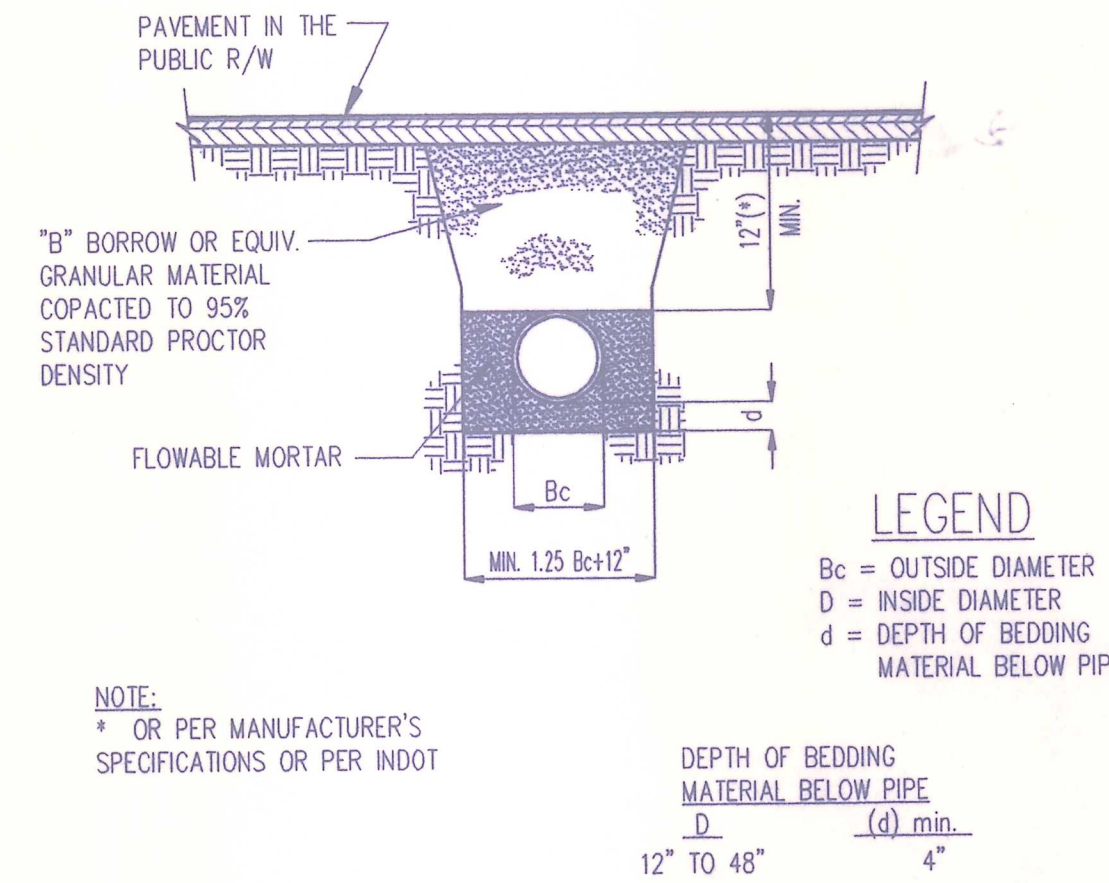


**LEGEND**  
 Bc = OUTSIDE DIAMETER  
 D = INSIDE DIAMETER  
 d = DEPTH OF BEDDING MATERIAL BELOW PIPE

**NOTE:**  
 \* OR PER MANUFACTURER'S SPECIFICATIONS OR PER INDOT

DEPTH OF BEDDING MATERIAL BELOW PIPE (d) min.	D	d min.
12" TO 48"	3"	4"

**PIPE BEDDING DETAIL**  
 PVC A-2000 (OR APPROVED EQUAL) NOT UNDER PAVEMENT SCALE: N.T.S.



**LEGEND**  
 Bc = OUTSIDE DIAMETER  
 D = INSIDE DIAMETER  
 d = DEPTH OF BEDDING MATERIAL BELOW PIPE

**NOTE:**  
 \* OR PER MANUFACTURER'S SPECIFICATIONS OR PER INDOT

DEPTH OF BEDDING MATERIAL BELOW PIPE (d) min.	D	d min.
12" TO 48"	3"	4"

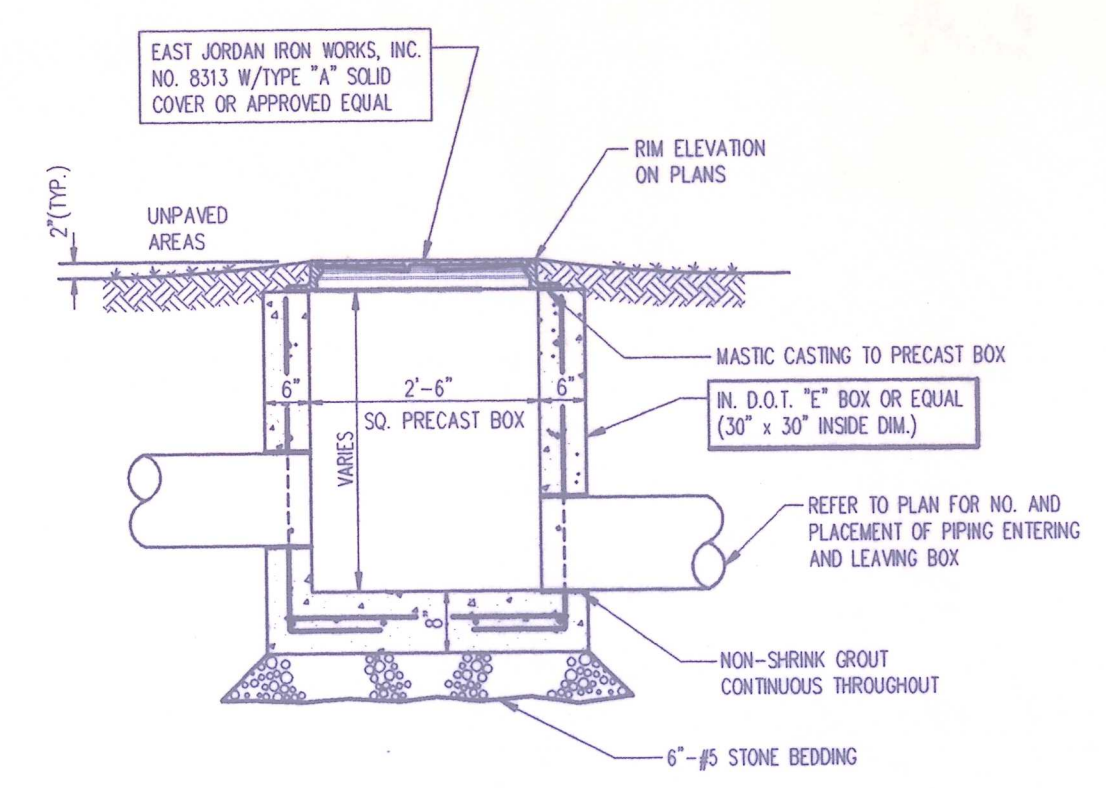
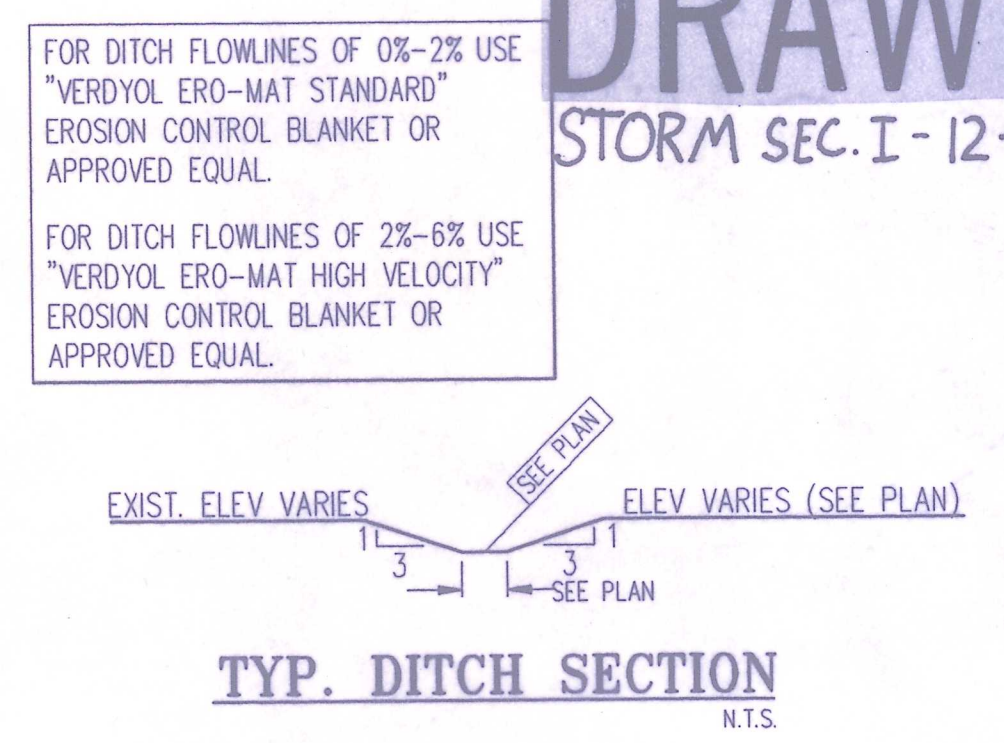
**PIPE BEDDING DETAIL**  
 PVC A-2000 (OR APPROVED EQUAL) UNDER PAVEMENT SCALE: N.T.S.

**BID ALTERNATE "B"**

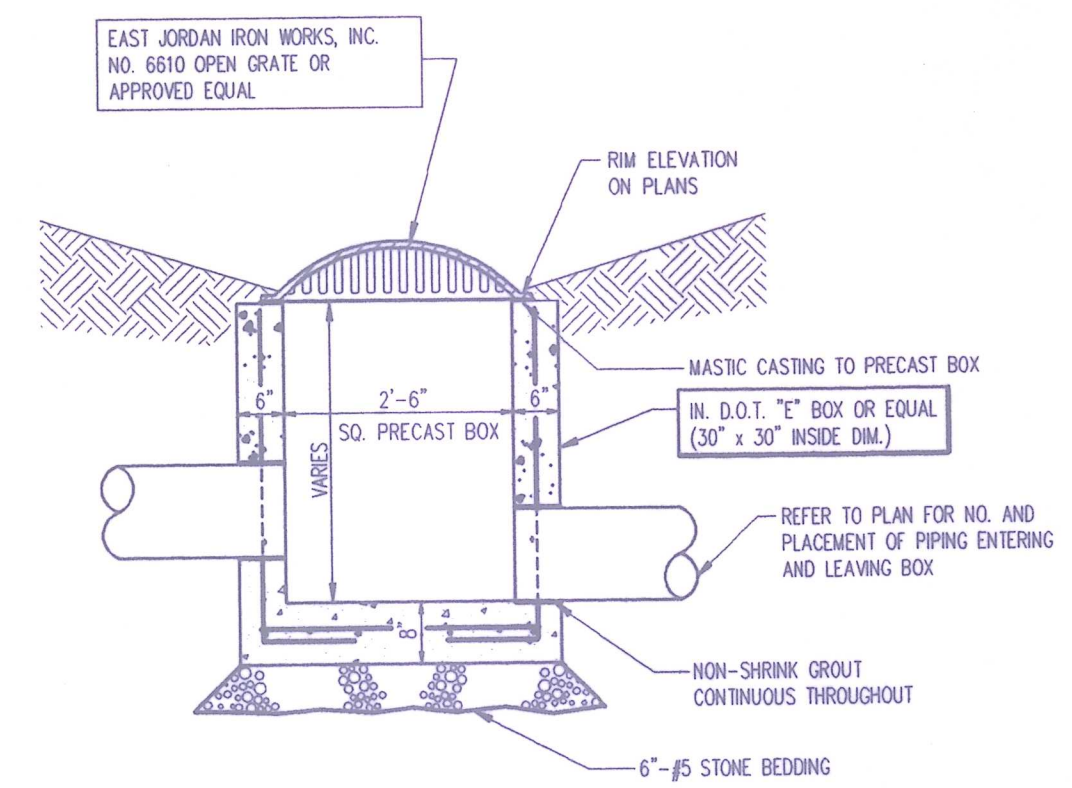
**GENERAL NOTES**

- THE FOLLOWING LOCAL GOVERNMENTAL AGENCY SHALL BE NOTIFIED 24 HOURS PRIOR TO BEGINNING WORK AND ON A DAILY BASIS WHEN PERFORMING THE WORK LISTED BELOW:  
 STORM SEWERS, STREET SUBGRADE, STREETS  
 VANDERBURGH COUNTY ENGINEER 812-435-5773
- GENERAL SITE**
- WORK COVERS ALL EARTHWORK, SEWERS, PAVING AND OTHER RELATED WORK FOR THE DEVELOPMENT OF "BRIDLEWOOD"
- THE CONTRACTOR SHALL COMPLY WITH ALL LOCAL, STATE AND FEDERAL CODES, ORDINANCES, RULES, REGULATIONS, ORDERS AND OTHER LEGAL REQUIREMENTS OF MUNICIPAL AUTHORITIES WHICH BEAR ON THE PERFORMANCE OF THE WORK.
- ALL FIELD ENGINEERING SHALL BE SUPPLIED BY THE OWNER.
- EXCAVATING**
- ROADWAY SUBGRADE COMPACTION TESTS SHALL BE PERFORMED AT CONTRACTORS EXPENSE.
- SUFFICIENT SOIL SAMPLES ARE TO BE TAKEN BY THE CONTRACTOR FROM THE ROADWAY SUBGRADE AFTER THE TOPSOIL IS REMOVED OR FROM BORROW AREAS IN ORDER TO OBTAIN ACCURATE PROCTOR VALUES FOR SUBSEQUENT SUBGRADE DENSITY TESTING.
- SUBGRADE IS TO BE COMPACTED IN ACCORDANCE WITH VANDERBURGH COUNTY ROAD STANDARDS.
- SUBGRADE DENSITY IS TO BE TESTED AT A MINIMUM OF ONE TEST PER SECTION OF ROADWAY CONNECTED BY AN INTERSECTION. OTHERS MAY BE REQUESTED AT THE DISCRETION OF THE INSPECTOR OR ENGINEER.
- DRAWINGS DO NOT REPRESENT A BALANCE BETWEEN BORROW AND FILL MATERIAL.
- STORM SEWERS**
- STORM DRAINAGE SYSTEM TO BE IN TEMPORARY SERVICE FOR SITE DRAINAGE DURING CONSTRUCTION AND MUST BE CLEANED BEFORE CONSIDERATION FOR MAINTENANCE ACCEPTANCE.
- PRODUCT CERTIFICATIONS OR REPORTS ARE TO BE OBTAINED BY THE CONTRACTOR FROM THE CONCRETE SUPPLIER AND MADE AVAILABLE TO THE COUNTY HIGHWAY ENGINEER'S INSPECTOR OR OFFICE.
- ALL STORM SEWERS SHALL BE CONSTRUCTED IN ACCORDANCE WITH VANDERBURGH COUNTY STANDARDS.
- ALL LENGTHS OF STORM SEWER PIPE TERMINATING OR BEGINNING WITH END SECTIONS REFER TO THE DISTANCE FROM THE CENTERLINE OF STRUCTURE TO THE FLOWLINE OF THE END SECTION.

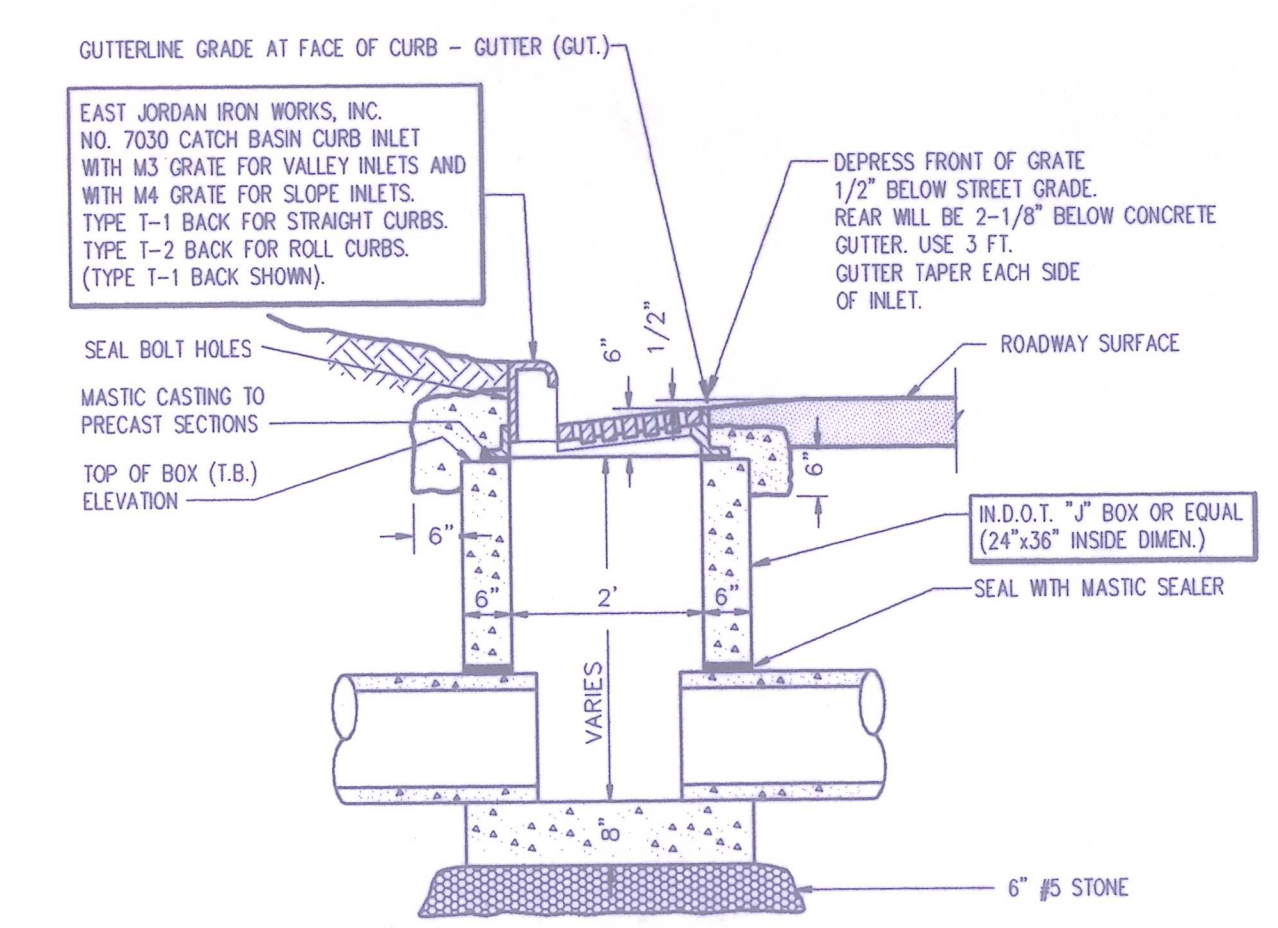
**RECORD DRAWING**  
 STORM SEC. I - 12-2-99



**MANHOLE DETAIL**  
 TYPE "E-8313-A" SCALE: N.T.S.



**AREA INLET DETAIL**  
 TYPE "E-6610" SCALE: N.T.S.



**CURB INLET DETAIL**  
 TYPE "J-7030" SCALE: N.T.S.

Written dimensions shall prevail over all other dimensions and conditions on the job and SITECON, Inc. must be notified of any variations from the dimensions and conditions shown by these drawings.

**SITECON, Inc.**  
 Engineers-Surveyors  
 10385 Hedden Rd, Suite 2  
 Evansville, Indiana 47725  
 (812) 868-0877

Project: **BRIDLEWOOD SUBDIVISION**  
 Sheet Title: **STORM DETAILS**

Revisions	Description
No.	By
Date	

Plot Scale: 1"=50'  
 Scale: AS NOTED

Designed By: KJP Job Number: 109-98-7  
 Drawn By: RRB Date: 6-9-99  
 Filename: STORPIPEDET.DWG  
 Sheet Number: **DE-3**