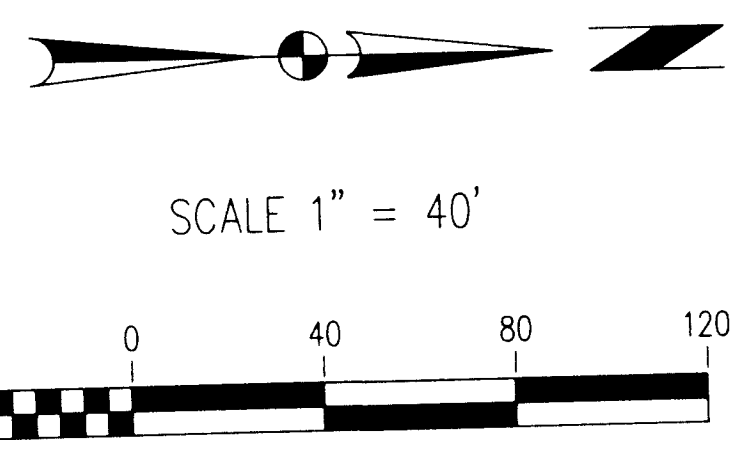


LEGEND

- UTILITY POLE
- SANITARY SEWER MAN HOLE
- FIRE HYDRANT
- WATER VALVE
- OVERHEAD ELECTRIC
- FENCE
- CENTER LINE
- BOUNDARY LINE
- EASEMENT LINE
- BUILDING SETBACK LINE
- RIGHT-OF-WAY LINE
- POINT OF BEGINNING
- HANDICAP PARKING SIGN



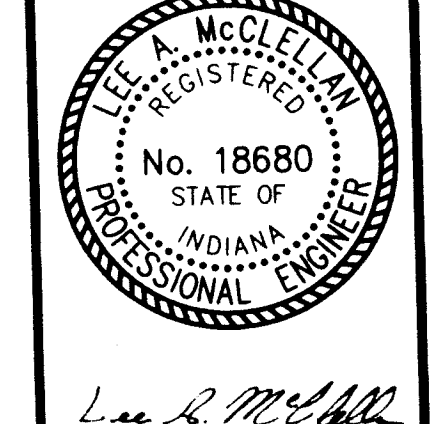
REQUIRED PARKING = 66 SPACES
 AVAILABLE PARKING:
 ADA ACCESSIBLE = 6 SPACES
 STANDARD PARKING = 110 SPACES
 TOTAL = 116 SPACES

NUMBER	DEFLECTION RIGHT	DELTA ANGLE	DEGREE OF CURVE (ARC)	DEGREE OF CURVE (CHORD)	CHORD DIRECTION	TANGENT	RADIUS	ARC LENGTH	CHORD LENGTH	EXTERNAL	MID ORDINATE
C1	45°55'57"	45°55'57"	95°29'35"	152°46'18"	S 67°57'58" W	25.43	60.00	48.10	46.82	5.17	4.76
C2	45°55'57"	45°55'57"	143°14'22"	152°46'18"	S 67°57'58" W	16.95	40.00	32.07	31.22	3.44	3.17
C3	90°00'00"	90°00'00"	179°02'58"	152°46'18"	SOUTH	32.00	32.00	50.27	45.25	13.25	9.37
C4	44°04'03"	44°04'03"	190°59'09"	152°46'18"	N 22°57'58" E	12.14	30.00	23.07	22.51	2.36	2.19
C5	45°55'57"	45°55'57"	190°59'09"	152°46'18"	N 22°02'02" W	12.71	30.00	24.05	23.41	2.58	2.38

Morley and Associates, Inc.
 Consulting Engineers/Surveyors/Architects
 605 S.E. Martin Luther King, Jr. Blvd.
 Evansville, Indiana 47713
 (812) 464-9585

All ideas, designs, calculations, and arrangements indicated or represented by this drawing are those of the engineer or architect in connection with the specified project. None of such ideas, designs, calculations, or arrangements shall be construed as a warranty, representation, or promise of any kind, and the engineer or architect shall not be held responsible for any errors or omissions in this drawing or for any consequences arising therefrom. The engineer or architect shall not be held responsible for any errors or omissions in this drawing or for any consequences arising therefrom. The engineer or architect shall not be held responsible for any errors or omissions in this drawing or for any consequences arising therefrom.

No.	By	Date	Description



Client: First Church of God - Evansville
 Sheet Title: Grading, Drainage, and Utility Plan
 Scale: 1" = 40'

Designed By: J.E.M.
 Drawn By: D.W.N.
 Checked By: J.E.M.
 Date: 9/27/96
 File Name: SITE.DWG
 Sheet Number: 4 of 7