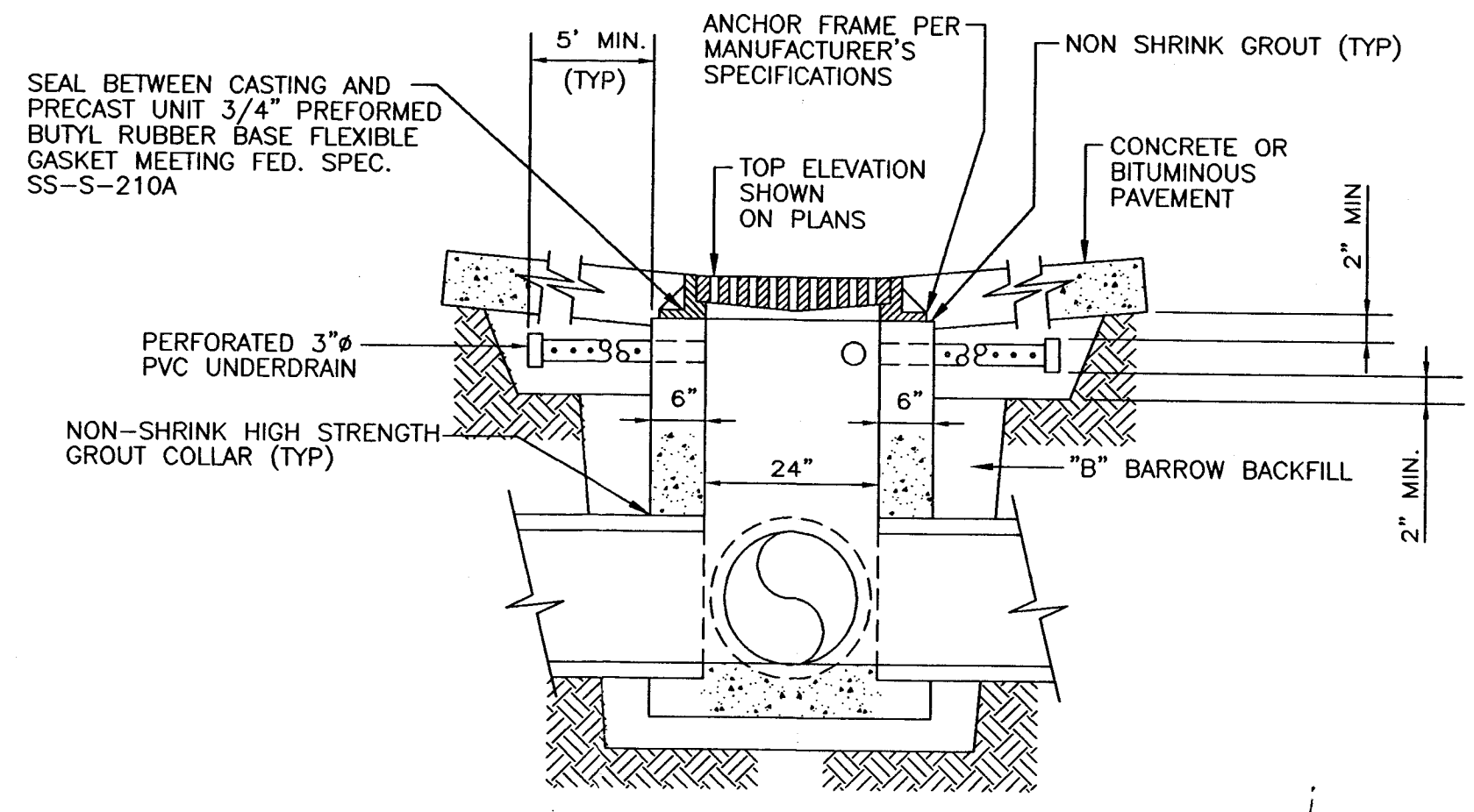
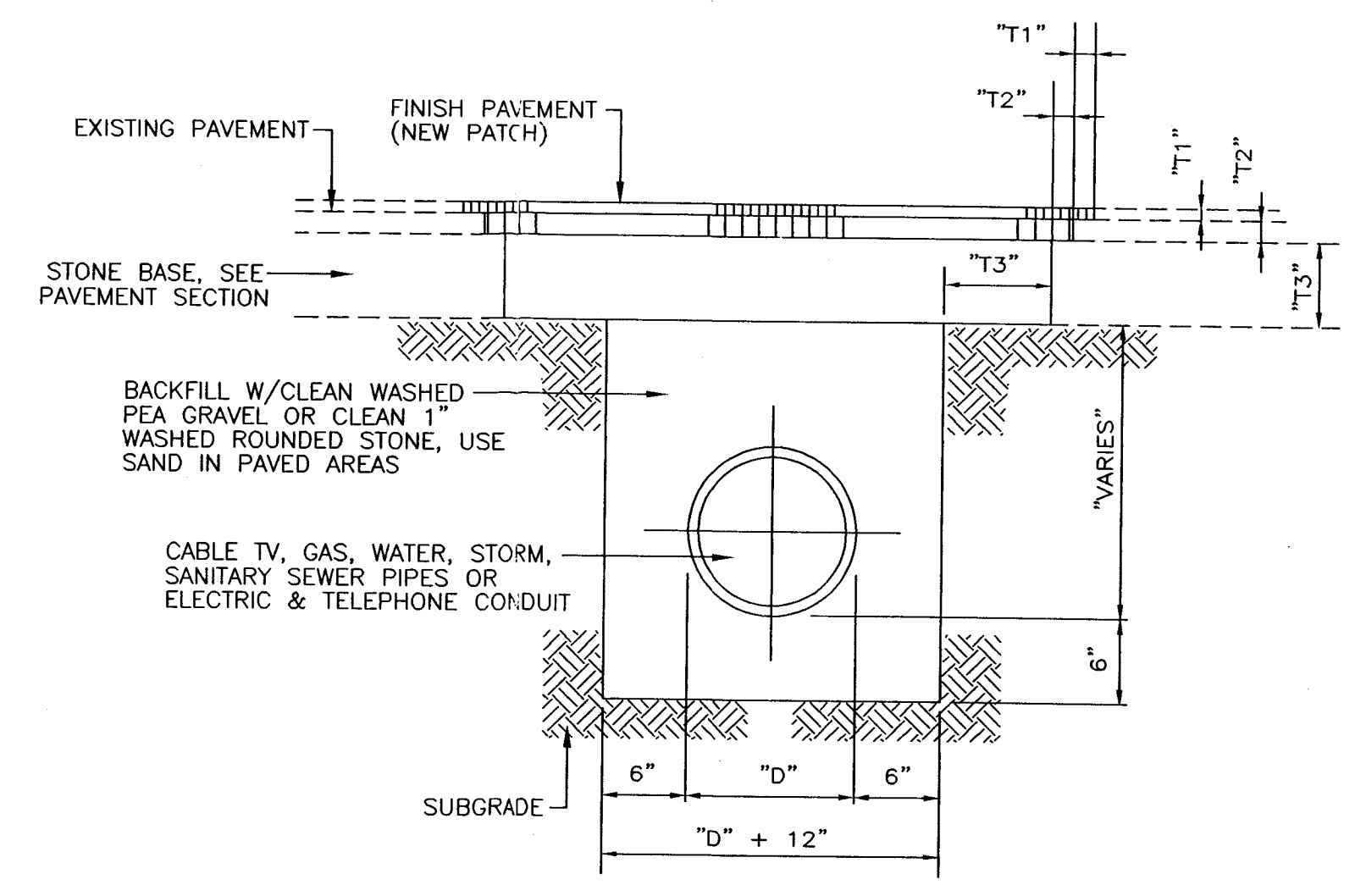


SITE PLAN
SCALE: 1" = 15'



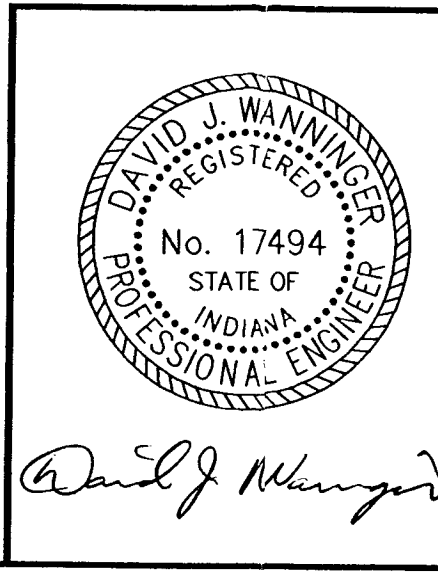
NOTES:
 EAST JORDAN #1022-3 HEAVY DUTY CASTING WITH TYPE M1 EXTRA HEAVY DUTY GRATE REQ'D IN TRAFFIC AREAS.
 EAST JORDAN #1022-1 CASTING WITH TYPE M1 HEAVY DUTY GRATE REQ'D IN NON-TRAFFIC AREAS.
 ALL CONNECTING PIPES SHALL BE GROUTED WITH A HIGH STRENGTH NON-SHRINK GROUT.
 PRECAST INLETS SHALL CONFORM TO ASTM C-475 & BE IN GENERAL CONFORMANCE WITH IDOH SPECIFICATIONS FOR TYPE "J" INLET EXCEPT AS MODIFIED.
 THE INLETS SHALL BE BACKFILLED WITH "B" BORROW AND MECHANICALLY COMPACTED IN 6" LIFTS TO 95% OF STANDARD DENSITY AASHTO T-99

CATCH BASIN DETAIL
SCALE: N.T.S.



UTILITY TRENCH/PIPE BEDDING DETAIL
SCALE: N.T.S.

BAUMBARDT COMMERCIAL SUB
 LOT 8
 BAUMBARDT COMMERCIAL SUB



REV.	DATE	DESCRIPTION	BY

Ownership of Instruments of Service
 All reports, plans, specifications, field data and notes and other documents, including all documents on electronic media, prepared by the Acura Engineering or instruments of service shall remain the property of the Acura Engineering.

Acura Engineering, Inc.
 1745 South Kentucky Ave.
 P.O. Box 2537
 Evansville, IN 47728
 (812) 426-0481

CLIENT: **BMB, INC.**
 JOB: **NEW OFFICE BUILDING**

DRAWN BY: BRIAN SKAGGS
 CHECKED BY: DAVID J. WANNINGER

DATE: 09-30-97
 JOB NUMBER: 978074
 SCALE: AS NOTED
 DRAWING NO.: 2.0