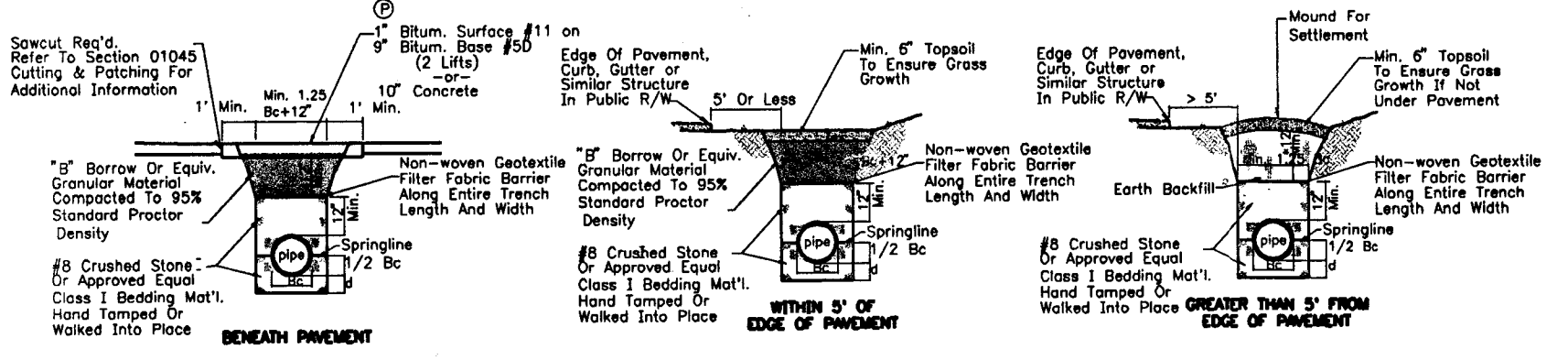


STORM SEWER TRENCH/PIPE BEDDING DETAIL FOR REINFORCED CONCRETE PIPE (RCP)

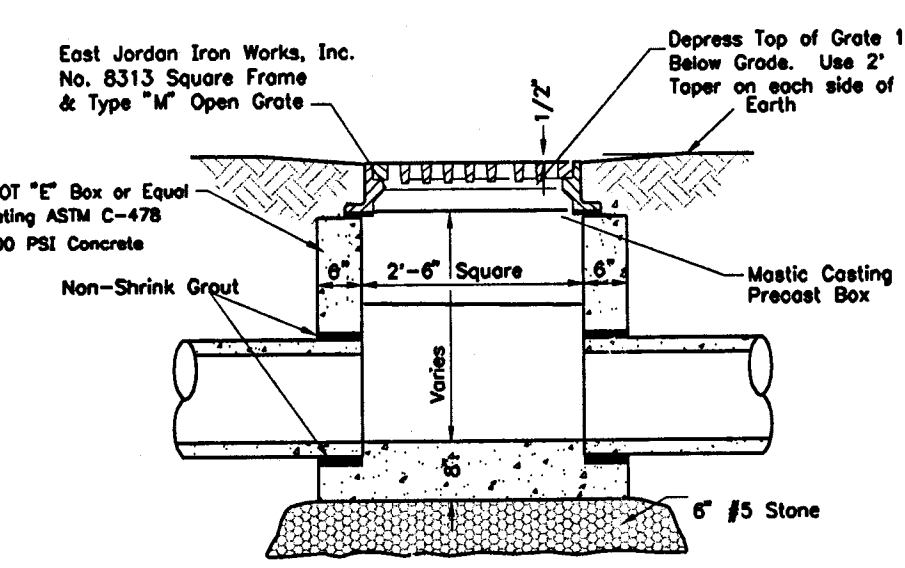
NOT TO SCALE
 All Bedding Details Shall Be Installed In 6" To 12" Balanced Lifts
 A Minimum 5" Of Clearance Shall Be Provided On Each Side Of Installed Pipe

Depth of Bedding Material Below Pipe	Outside Diameter	Inside Diameter	Depth of Bedding Material Below Pipe
0"	0"	0"	0"
2" & Smaller	0"	0"	0"
3" To 6"	0"	0"	0"
6" & Larger	0"	0"	0"

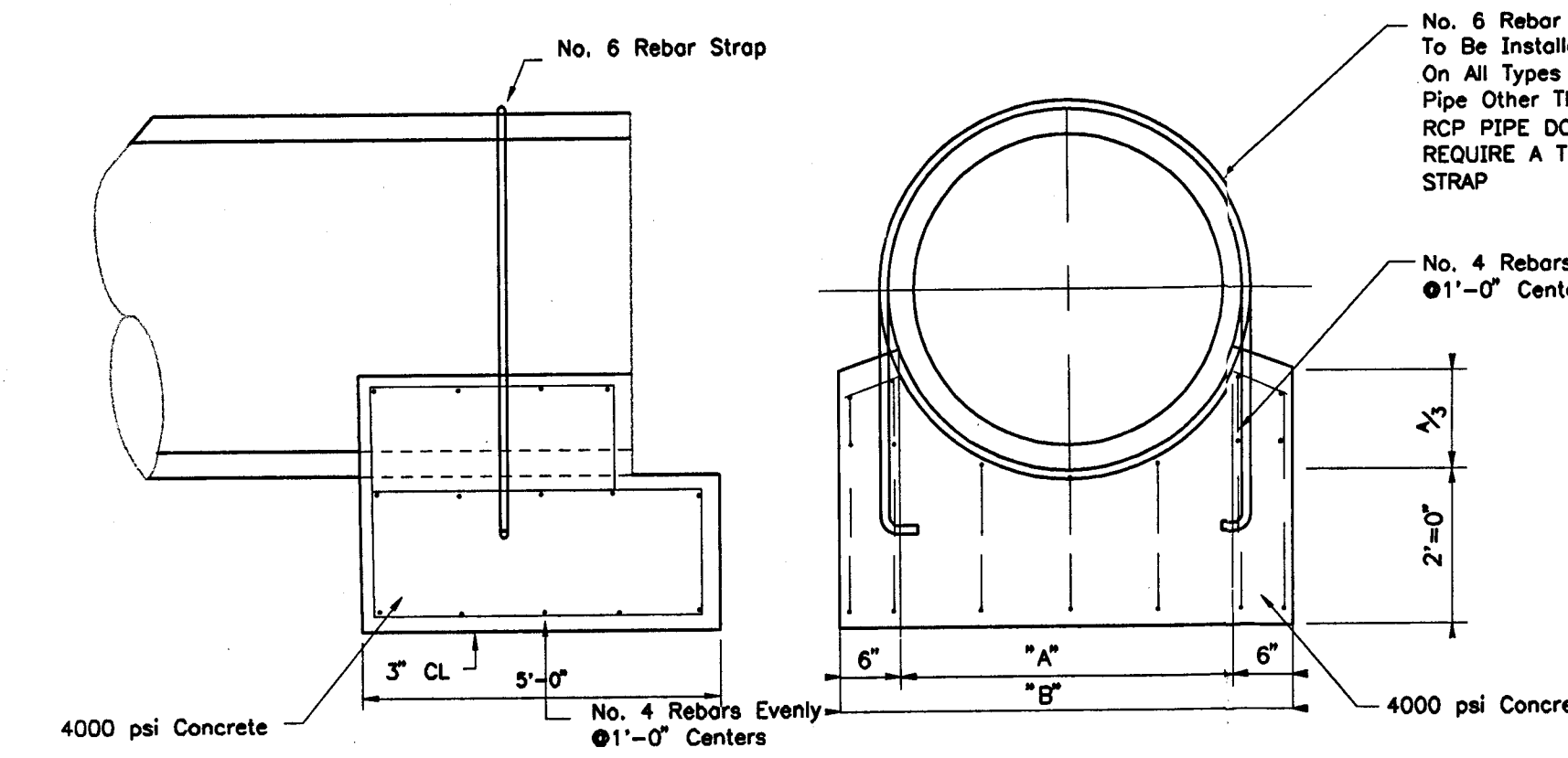


STORM SEWER TRENCH/PIPE BEDDING DETAIL FOR PLASTIC PIPE (PVC & HDPE)

NOT TO SCALE
 • or per Manufacturer's Specifications



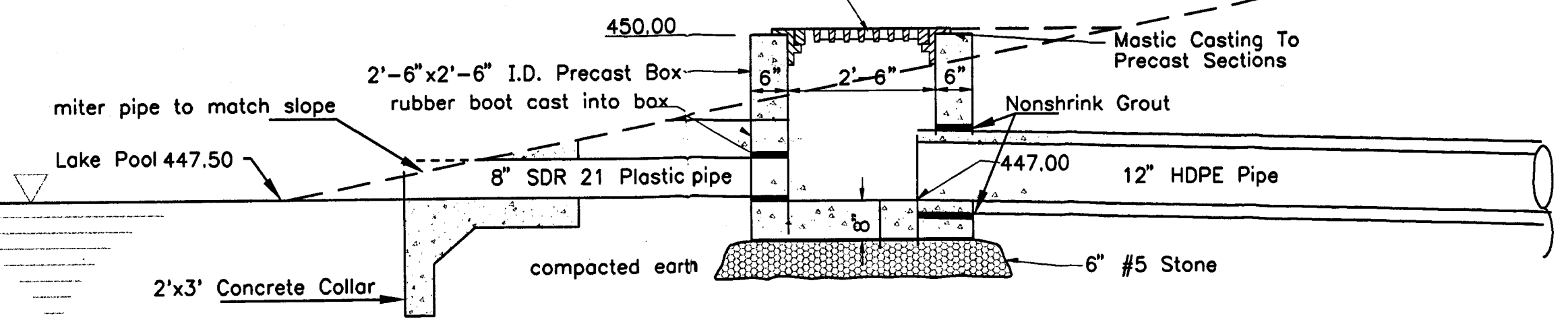
INLET TYPE E-5 DETAIL
 Not To Scale



CONCRETE PIPE ANCHOR

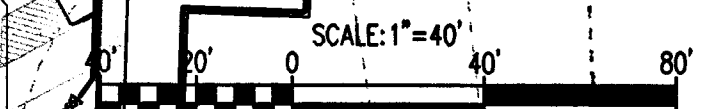
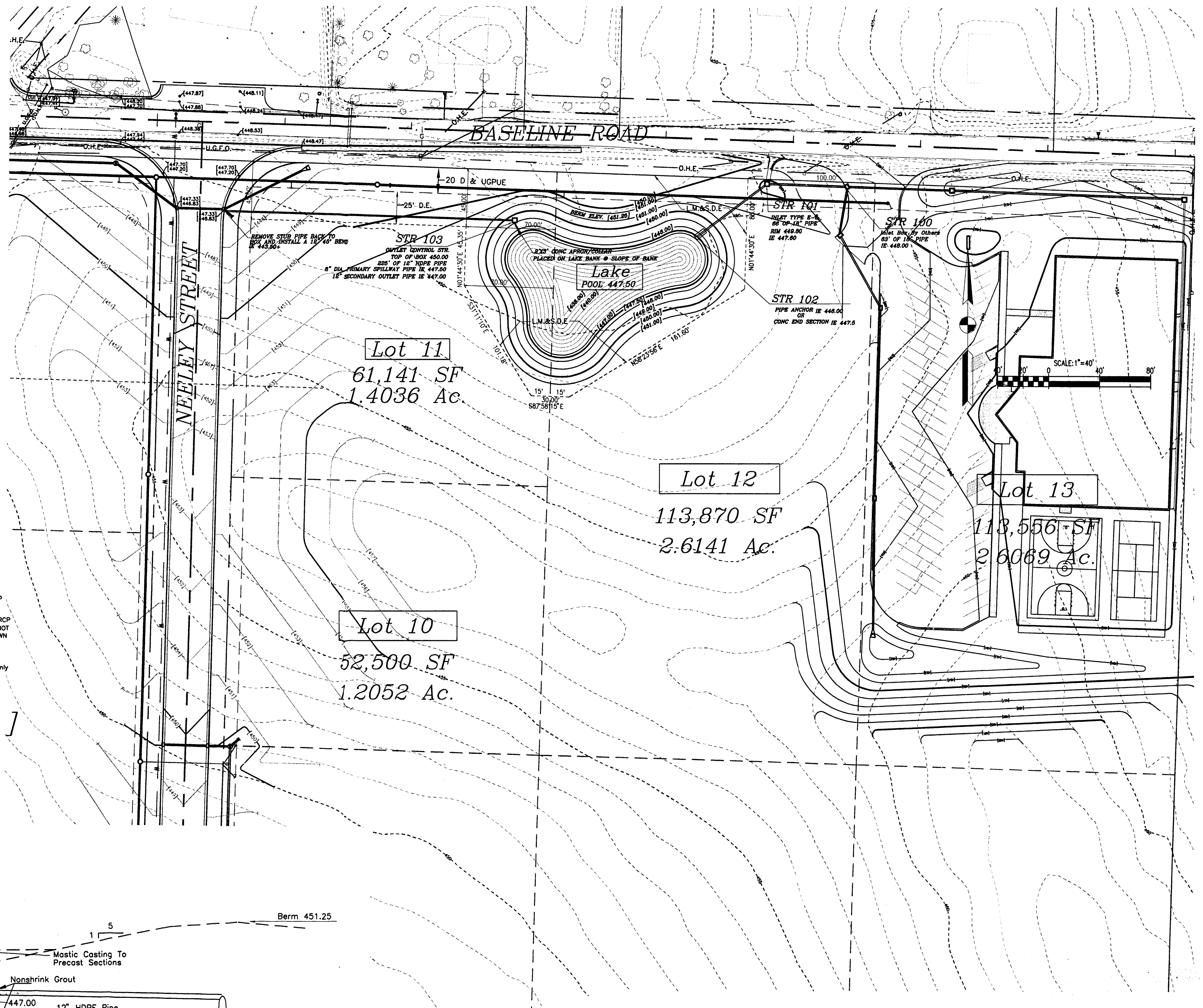
PIPE SIZE	A	B
12"	1.50'	2.5
15"	1.75'	2.75
18"	2.00'	3.00'
24"	2.67'	3.67
36"	3.75'	4.75

East Jordan Iron Works, Inc.
 No. 8313 Square Frame
 (Top Flange) & Typi "M"
 Open Grate.



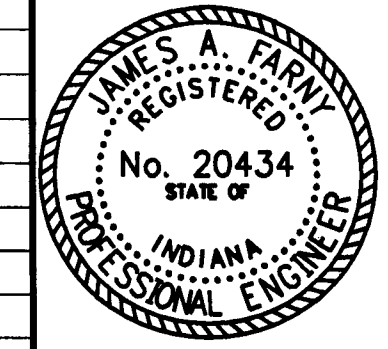
PRECAST OUTLET CONTROL STRUCTURE No. 103

Not To Scale



This drawing is the property of Bernard Lochmueller & Associates. All layouts and designs were created for use on a specific project. No part of this design or drawing shall be disclosed to any person or organization without the express written permission of Bernard Lochmueller & Associates. Contractors shall verify and be responsible for all dimensions and conditions on the site. Contractor shall notify Bernard Lochmueller & Associates of any variations from the design shown hereon.

Num.	Description	Date



DRAINAGE PLAN
 LOTS 11, & 12
 FOR
BASELINE PARK SUBDIVISION
 VANDERBURGH COUNTY, INDIANA

Prepared by
BERNARD LOCHMUELLER & ASSOC., INC.
 Planners • Engineers • Surveyors
 Evansville, IN 47715 (812)479-6200

DATE: 1/3/02
 PROJECT NO.: 101-0262
 SHEET: 1