

TRENCH WIDTH TABLE

PIPE Ø	MIN WIDTH
4"	1'-9"
6"	1'-11"
8"	2'-2"
10"	2'-4"
12"	2'-6"
15"	2'-10"
18"	3'-3"
24"	4'-0"
30"	4'-8"
36"	5'-4"
42"	6'-0"
48"	6'-8"
54"	7'-4"
60"	8'-0"

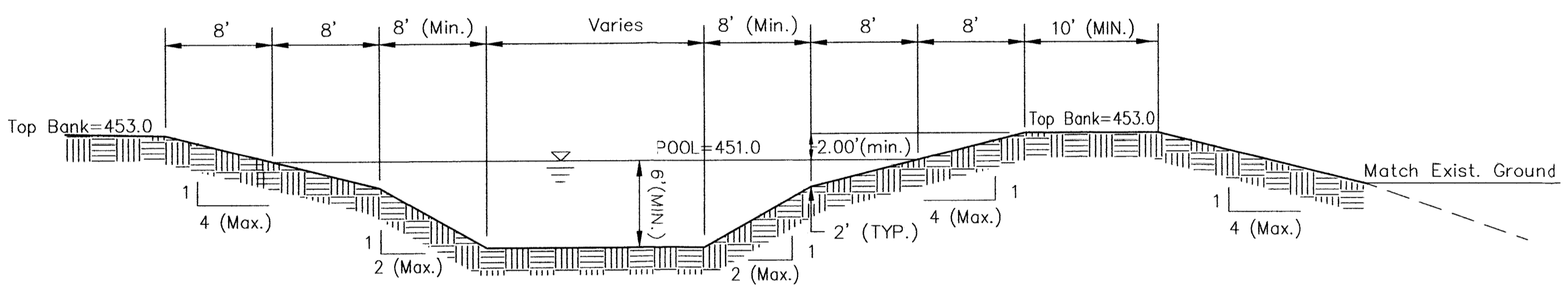
PIPE SIZE	TRENCH WIDTH
6"	24"
8"	26"
10"	28"
12"	30"
15"	33"
18"	36"
21"	39"
24"	42"
27"	45"
30"	48"
36"	60"
42"	66"
48"	70"

TRENCH WIDTH CHART

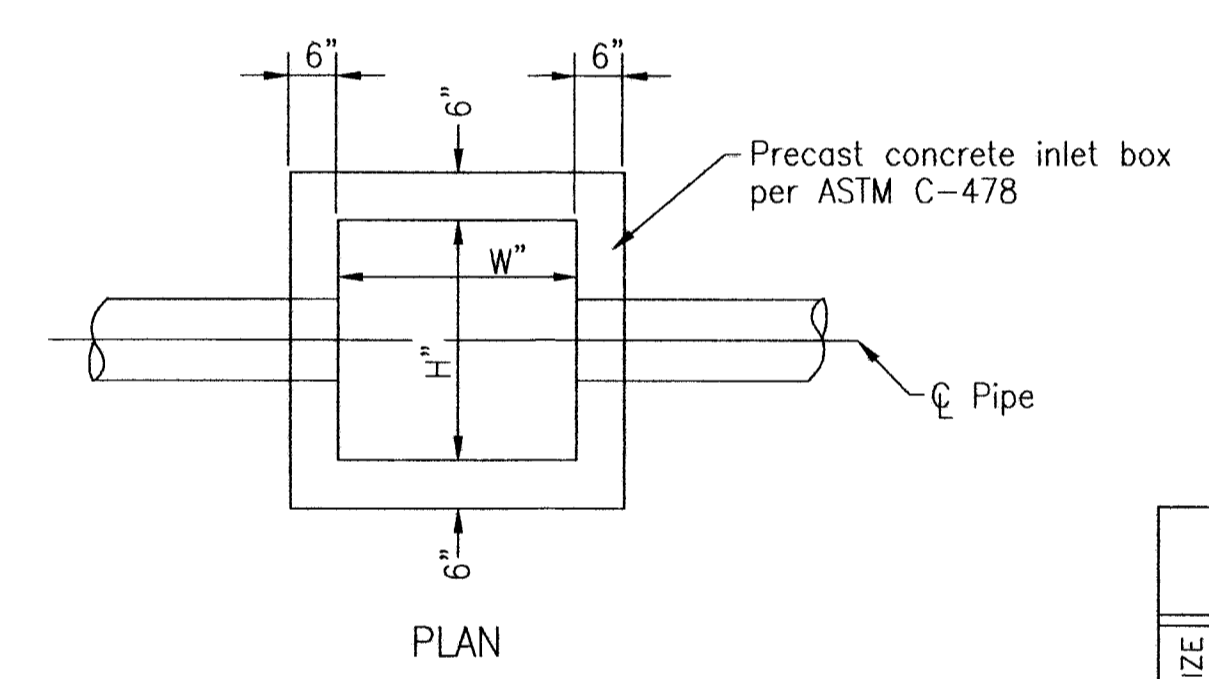
VARIATION FROM THESE STANDARDS SHALL CONFORM TO THE LOCAL STANDARDS AND SHALL BE APPROVED BY THE GOVERNING AGENCY. SHOP DRAWINGS SHALL BE PROVIDED TO ENGINEER FOR APPROVAL.

- NOTES:
- NEW STREET SURFACE SHALL COMPLY WITH LOCAL AUTHORITY JURISDICTION.
 - TRENCH WALLS TO BE SUPPORTED AS REQUIRED BY OSHA.
 - MIN COVER TO BE BELOW OFFICIAL STREET GRADE.

TYPICAL TRENCH SECTION HDPE PIPE (N-12 OR EQUAL) N.T.S.

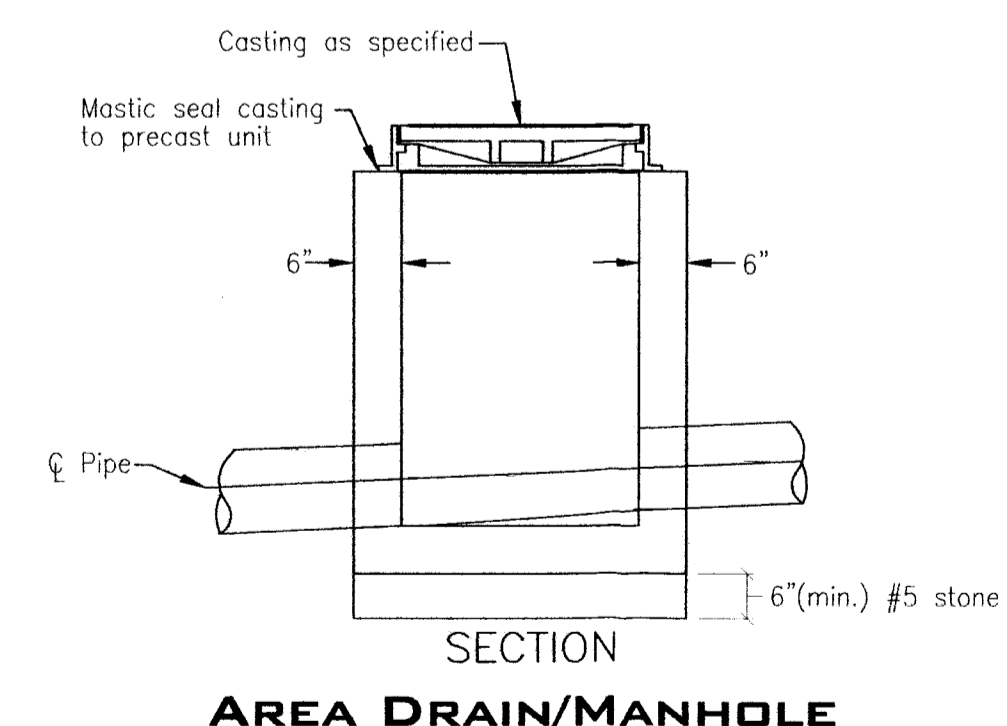


DETENTION BASIN #1 CROSS SECTION Scale: N.T.S.



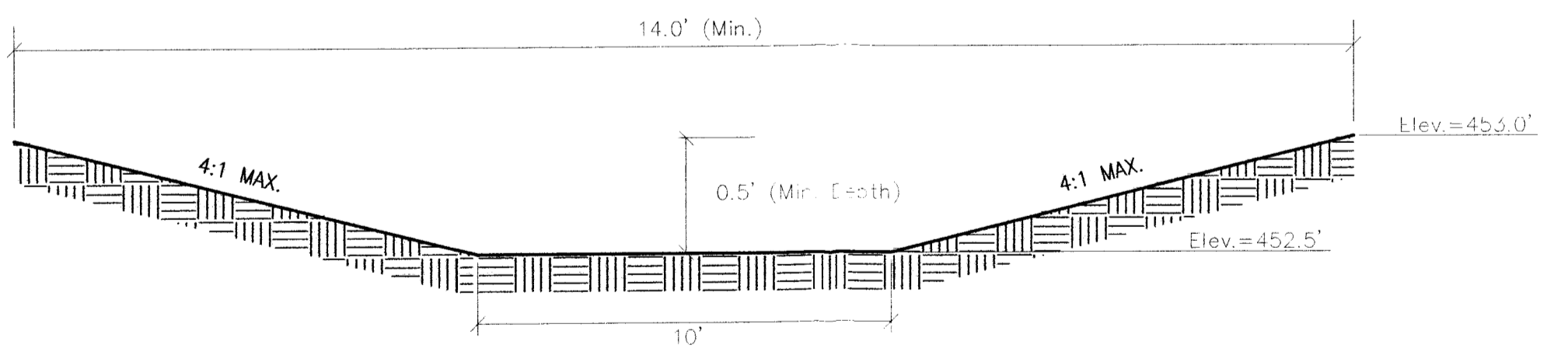
INLET BOX TABLE

INLET TYPE	AREA DRAIN
"W"	30"
"H"	30"
Paved Areas	
Grate	
Non-Paved Areas	EJW #6610
Grate	Type M2

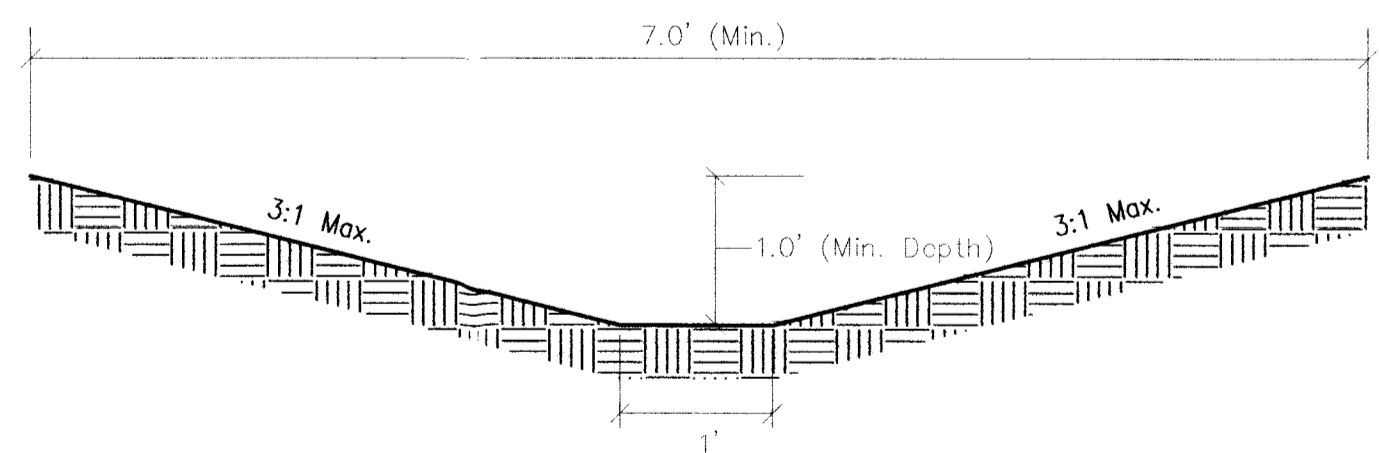


- INLET NOTES:
- All precast units shall conform to ASTM C-478.
 - Inlets shall be backfilled with granular material and compacted in 8" loose lifts to 95% Standard Density per ASTM D698.
 - Casting shall be mastic sealed to precast unit.
 - All connecting pipes shall be grouted with a high strength, non-shrink grout.
 - Frame & castings shown are the type & size required for the given box dimensions. Alternates shall be equal to those shown, including grate & opening sizes.

PRECAST INLET BOX Scale: N.T.S.



DETENTION BASIN #1 EMERGENCY SPILLWAY CROSS-SECTION Scale: N.T.S.



TYPICAL SWALE CROSS-SECTION Scale: N.T.S.

APPROVED
OCT 06 2015
VANDERBURGH COUNTY
DRAINAGE BOARD

This drawing and/or specifications is provided as an instrument of service provided by Cash Wagner & Associates, PC and is intended for use on this project only. All drawings, specifications, designs, models, ideas, calculations, and arrangements appearing herein constitutes the original and unpublished work of and remains the property of Cash Wagner & Associates, PC. Any reproduction, use or disclosure of the proprietary information contained herein without the prior written consent of the Cash Wagner & Associates, PC is strictly prohibited.



Glen A. Meritt
SIGNATURE
21 Aug 15
DATE



414 CITADEL CIRCLE
SUITE B
EVANSVILLE, IN 47715
PH: 812.401.5561
FAX: 812.401.5563
CELL: 812.774.2988
E-MAIL: G.MERITT@CASHWAGGNER.COM

NO.	DATE	BY	DESCRIPTION
▲			
▲			
▲			
▲			
▲			
▲			
▲			

PROJECT NO.: 15-2122
DESIGNED BY: G.A.M.
DRAWN BY: G.A.M.
FILENAME: 2122 Drainage Dtls
LAYOUT TAB:
SCALE: As Shown

PROJECT: FAMILY BIBLE CHURCH
ADDRESS: 15515 HUSKY WAY
EVANSVILLE, INDIANA
SHEET TITLE: DRAINAGE DETAILS

DATE: 08.21.15
DRAWING NO.: C-106

RECEIVED BY THE VANDERBURGH COUNTY SURVEYOR'S OFFICE 8/24/15