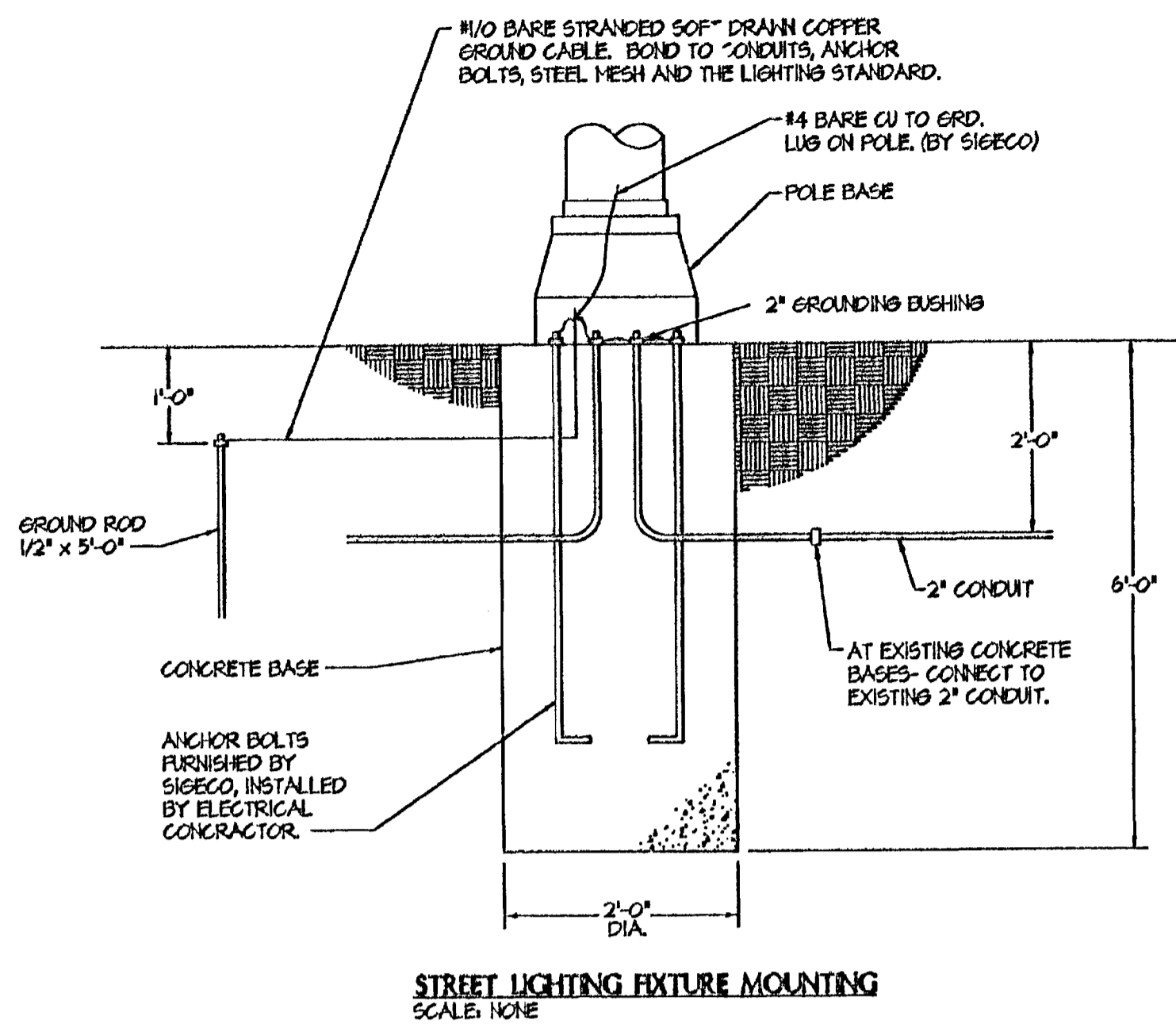
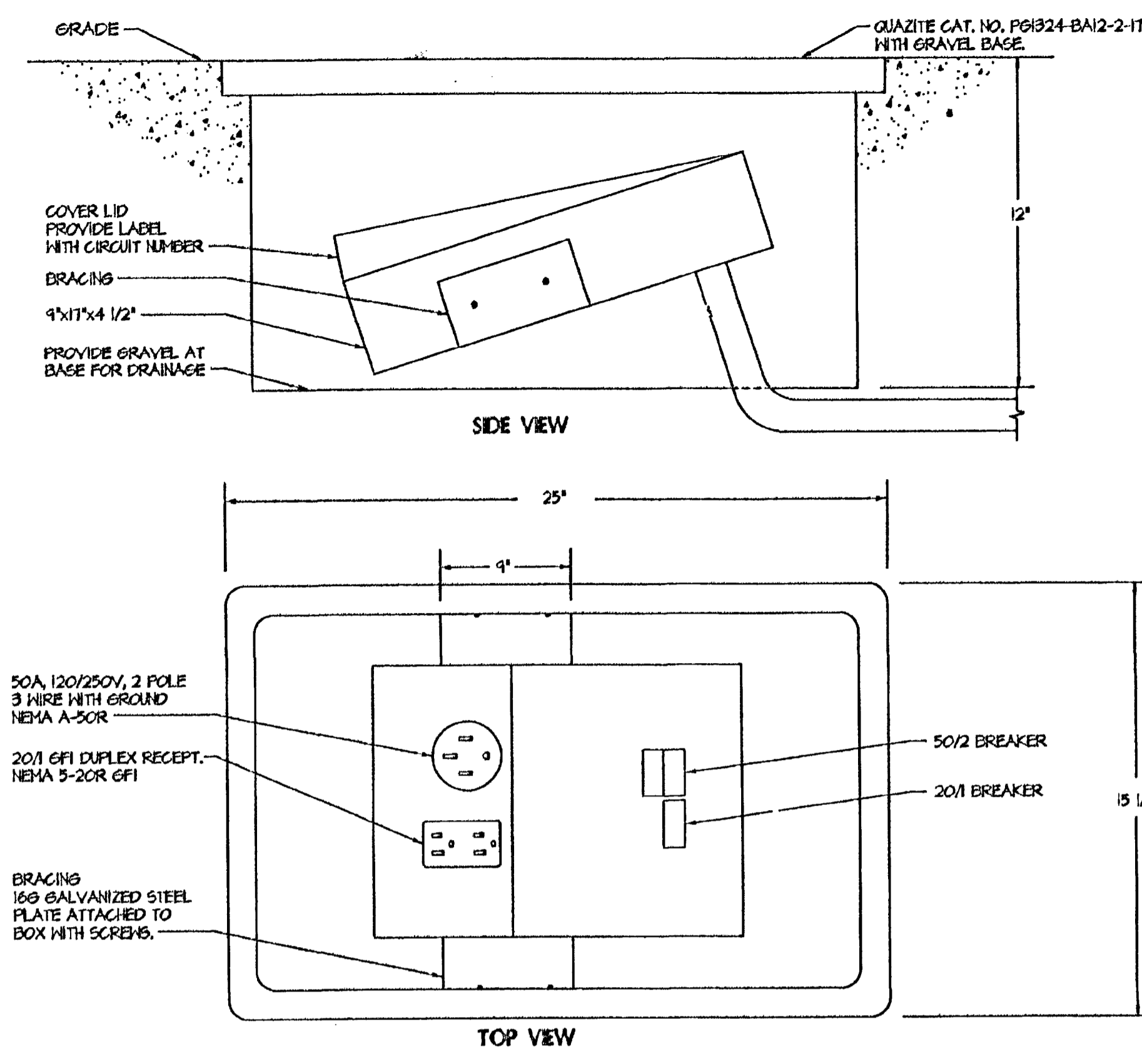


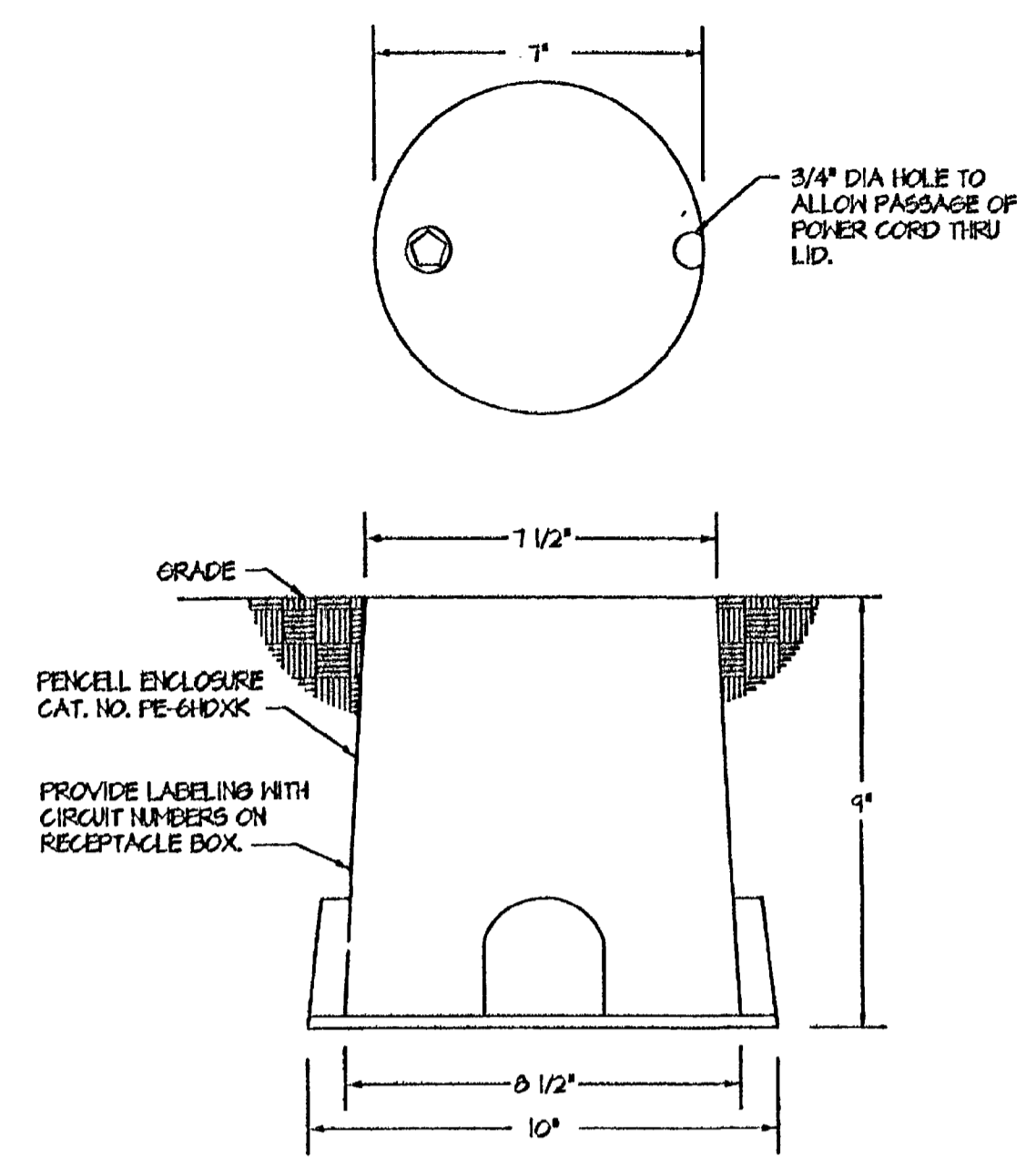
GENERAL NOTES
 A. OUTLET ENCLOSURE SHALL CONSIST OF TWO (2) OUTLETS MOUNTED IN ONE (1) GALVANIZED STEEL NEMA 3R ENCLOSURE WITH COVER AND PADLOCK HASP. MIDWEST ELECTRICAL PRODUCTS CAT. NO. 10556010 OR APPROVED EQUAL. (PROVIDE LUGS TO ACCEPT CONDUCTOR SIZE AT ENCLOSURE, SEE PLANS FOR CONDUCTOR SIZES). CONTRACTOR SHALL COORDINATE OUTLET BOX ARRANGEMENT WITH ARCHITECT/ENGINEER PRIOR TO INSTALLATION. EXACT LOCATION OF OUTLET BOXES IN TREE WELLS SHALL BE SUBJECT TO APPROVAL OF ARCHITECT/ENGINEER AT NO ADDITIONAL COST TO OWNER.



STREET LIGHTING FIXTURE MOUNTING
 SCALE: NONE

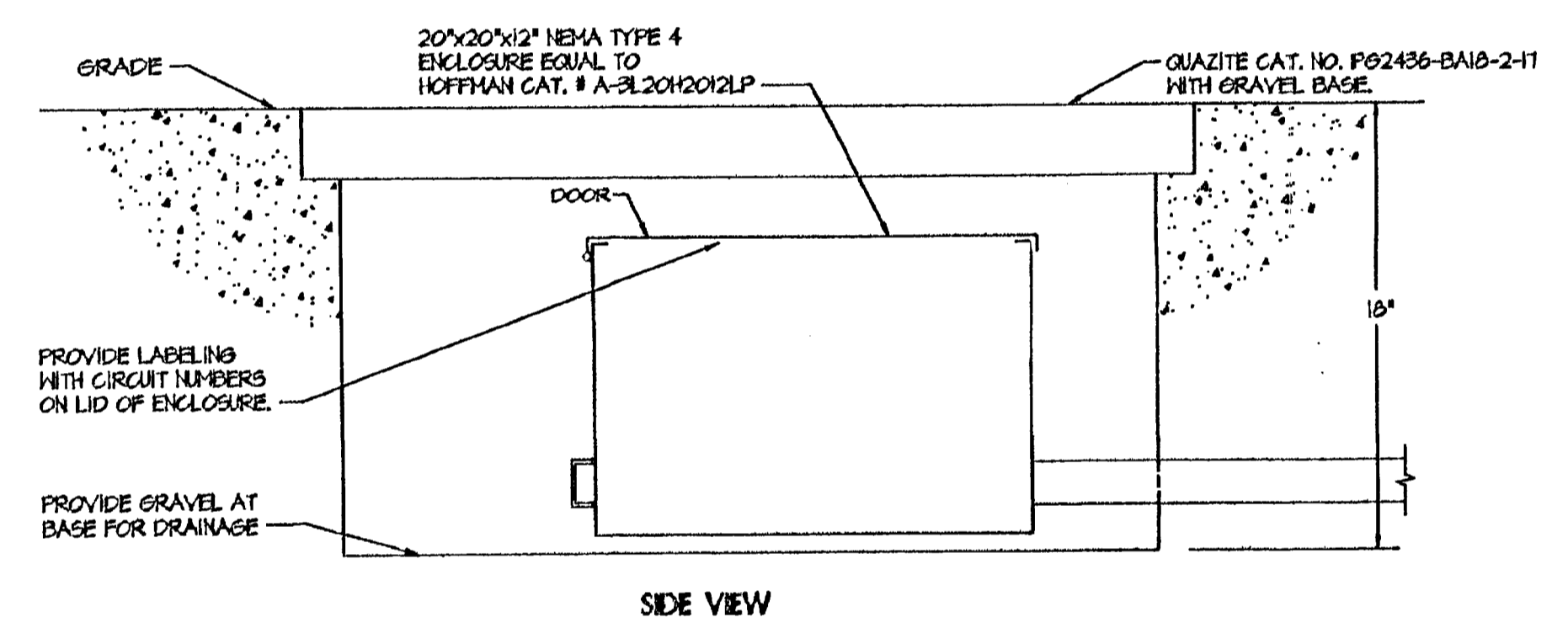


RECESSED POWER DISTRIBUTION BOX
 SCALE: NONE
 SEE GENERAL NOTE A.

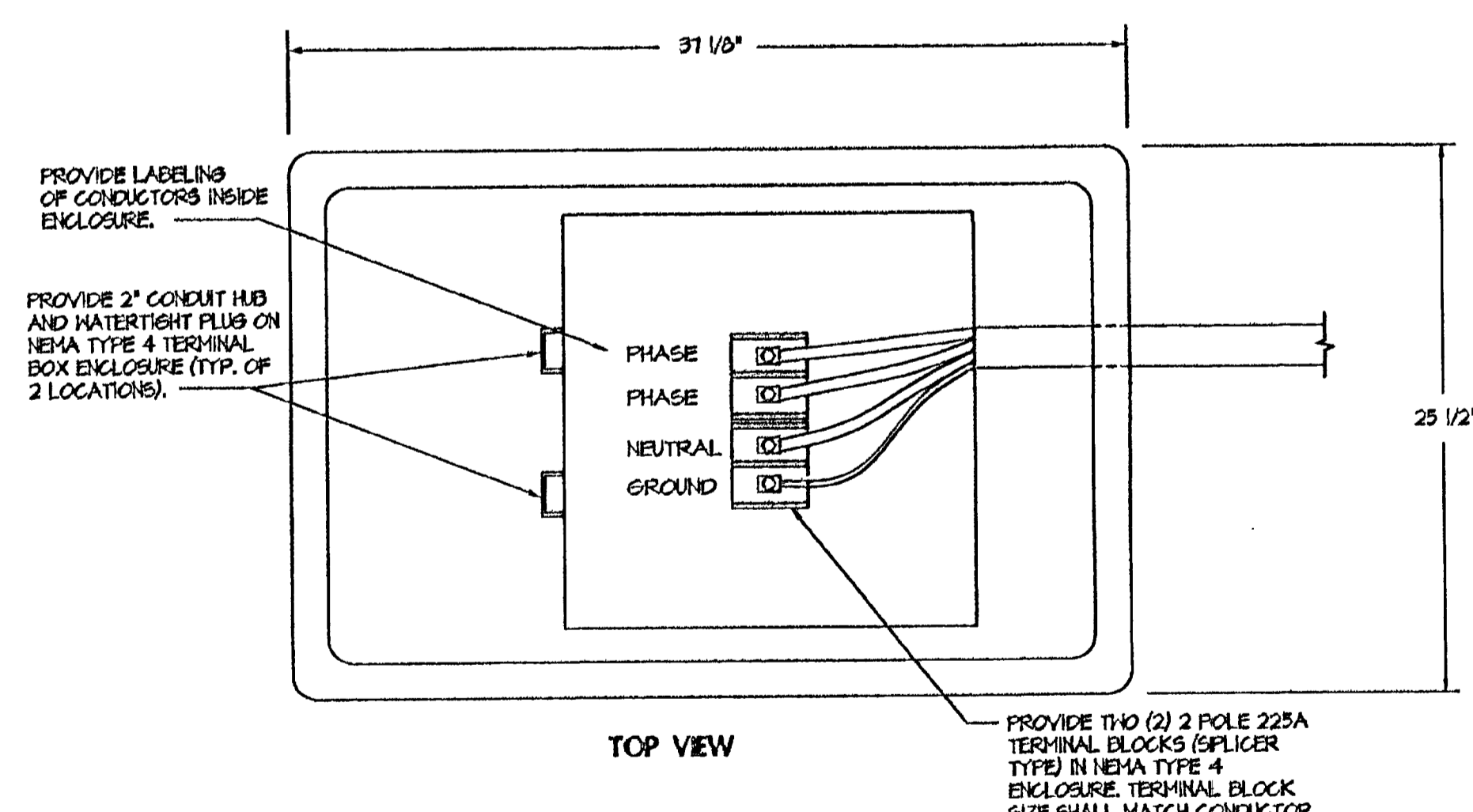


TREE LIGHT RECEPTACLE ENCLOSURE
 SCALE: NONE

FURNISH AND INSTALL NP JUNCTION BOX WITH WATERTIGHT CORD CONNECTOR AND 6' OF 3 CONDUCTOR #12 SO CORD ATTACHED TO HUBBELL CAT. NO. 15493 30A, 120V RECEPTACLE WITH ELASTIGRIP CONNECTOR BODY. CONNECT RECEPTACLE CIRCUIT TO EXISTING TREE WELL LIGHTING CIRCUIT AT JUNCTION BOX. INSTALL JUNCTION BOX FLUSH WITH GRADE.



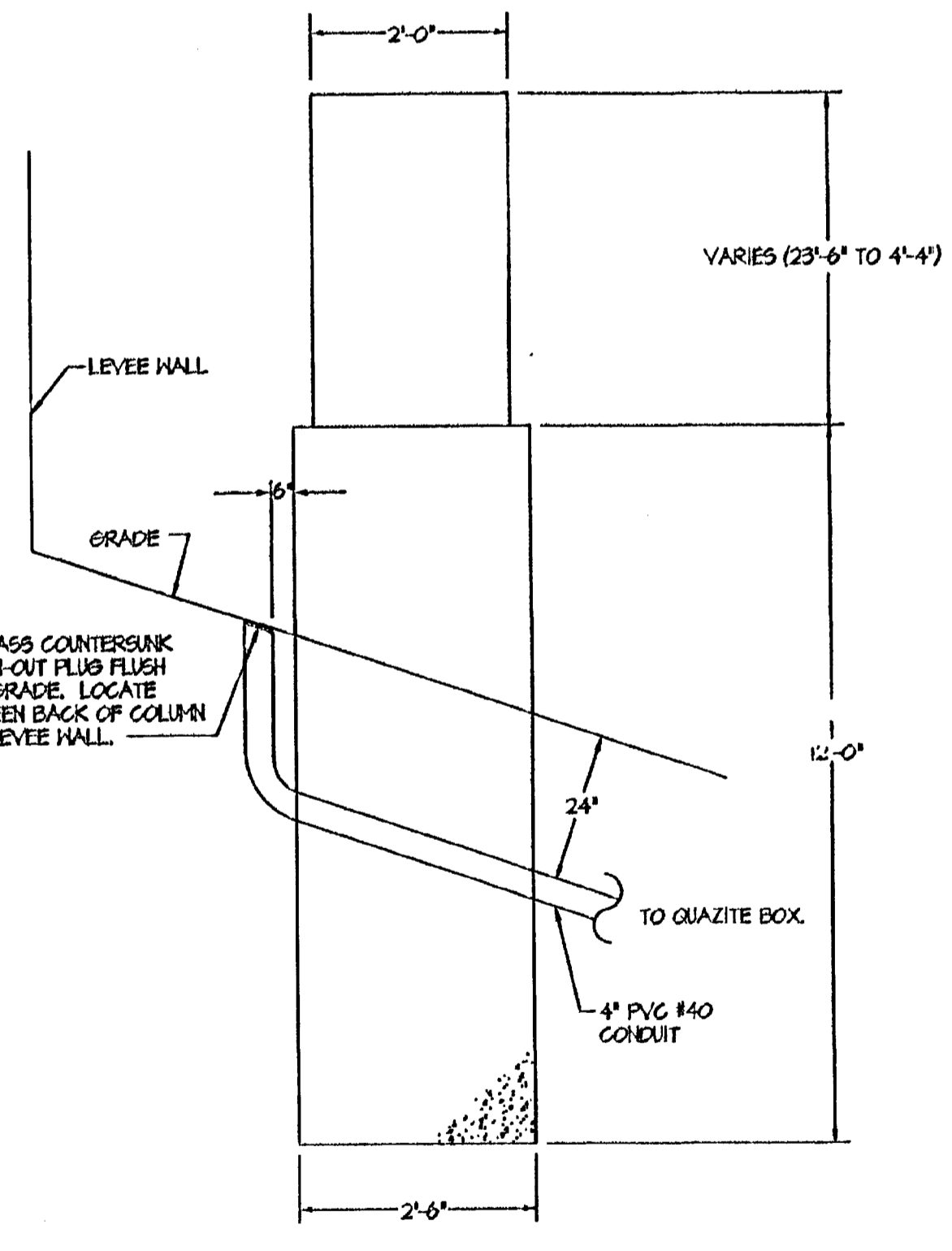
SIDE VIEW



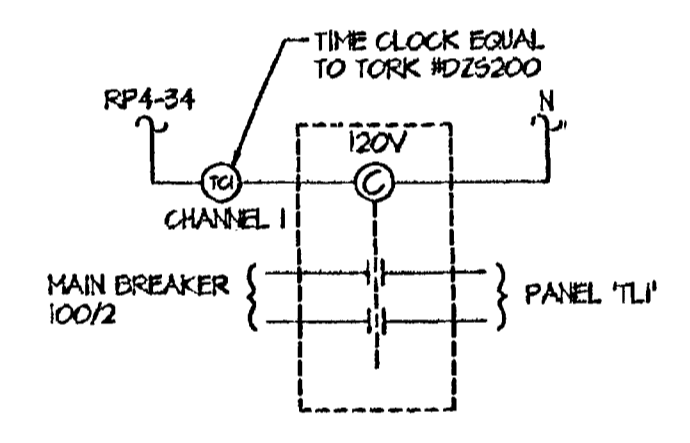
TOP VIEW

PROVIDE TWO (2) 2 POLE 225A TERMINAL BLOCKS (EPLICER TYPE) IN NEMA TYPE 4 ENCLOSURE. TERMINAL BLOCK SIZE SHALL MATCH CONDUCTOR SIZE. TERMINAL BLOCKS SHALL BE PARATION SPECIAL PRODUCTS CAT. NO. 145214 OR APPROVED EQUAL. IDENTIFY LUGS AS FOLLOWS: 0, 1, 2, 3

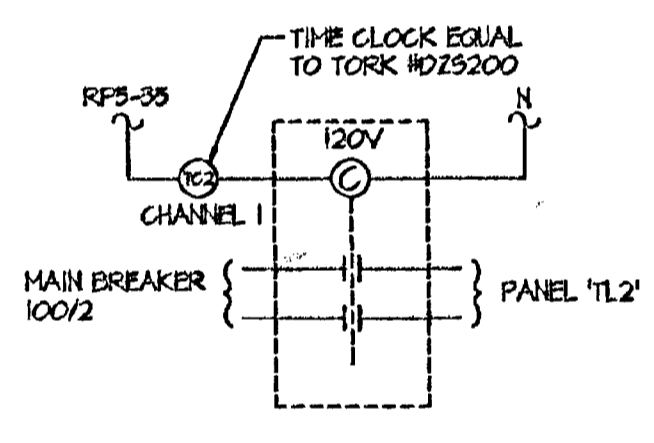
RECESSED TERMINAL BOX
 SCALE: NONE



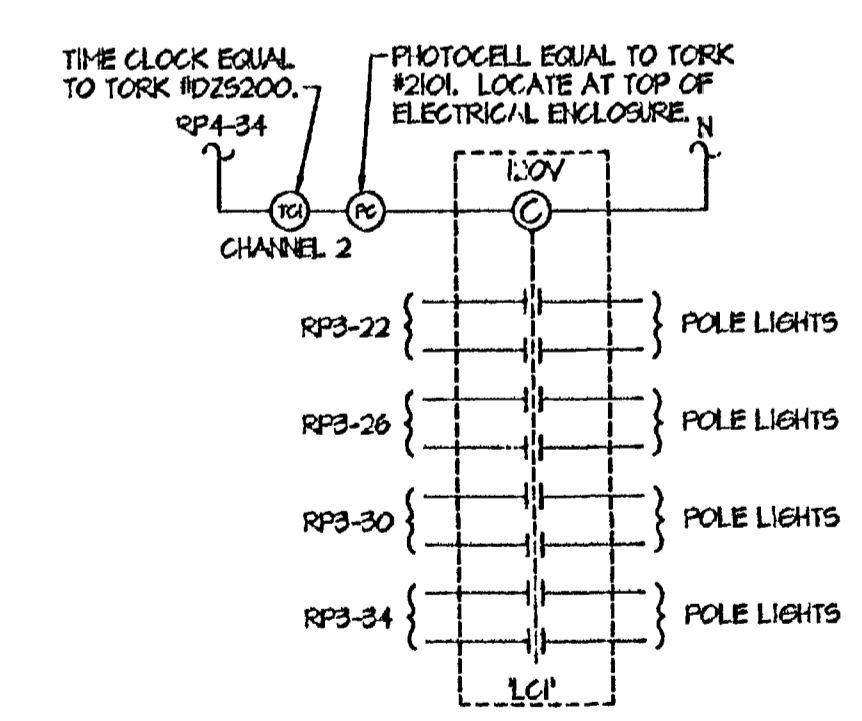
COLUMN DETAIL FOR BEACON LIGHT POLE
 #8, #9, #10, #11, #12, #13, #14, #15
 SCALE: NONE



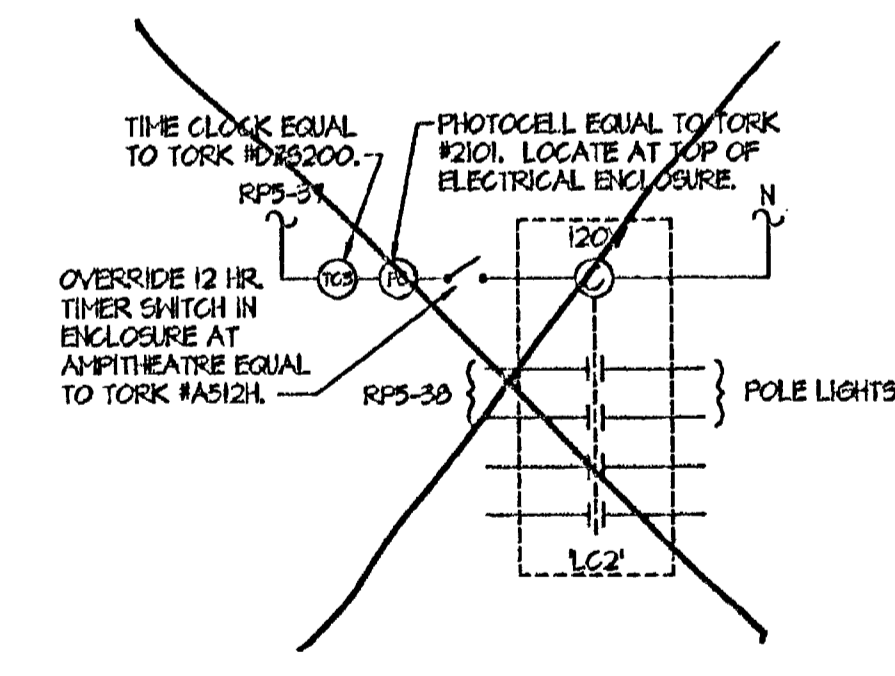
CONTACTOR CONTROL SCHEMATIC FOR PANEL '1L1'
 SCALE: NONE



CONTACTOR CONTROL SCHEMATIC FOR PANEL '1L2'
 SCALE: NONE



LIGHTING CONTACTOR 1C1
 SCALE: NONE
 EQUAL TO SQUARE D #9403-LH1000-V02.



LIGHTING CONTACTOR 1C2
 SCALE: NONE
 EQUAL TO SQUARE D #9403-LH1000-V02.

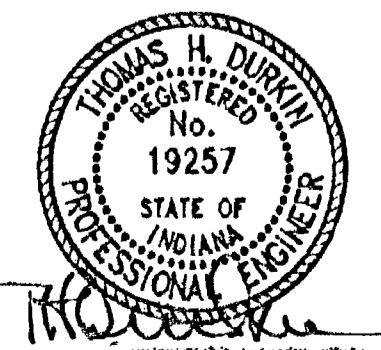
SURVEYING, CIVIL & STRUCTURAL ENGINEERING
BERNARDIN · LOCHMUELLER & ASSOC., INC.
 ENGINEERING SURVEYING PLANNING ENVIRONMENTAL SERVICES
 6200 Vogel Road, Evansville, IN 47715 (317) 473-6200

URBAN DESIGN & LANDSCAPE ARCHITECTURE
STORROW KINSELLA PARTNERSHIP INC
 212 West 10th Street, Sturz Bldg. A-443, Indianapolis, IN 46202 317 639 3420

PRINCIPAL ARCHITECT
VEAZEY PARROTT & SHOULDERS
 ARCHITECTS ENGINEERS PLANNERS
 588 Main Street, Suite 400, Evansville, IN 47708

REVISIONS		DESIGN BY: TM
NO.	DESCRIPTION	DATE

DRAWN BY: AS
 CHECKED BY: TM
 APPROVED BY: VPS
 VPS PROJECT NO.: 9781.01
 SKP PROJECT NO.: 9713
 BLA PROJECT NO.: 197-0197-0PD



ELECTRICAL DETAILS
 FOR
EVANSVILLE DOWNTOWN RIVERFRONT RENOVATION PROJECT
 EVANSVILLE, INDIANA
 SCALE: NONE DATE: 07/01/99 SHEET: E-6